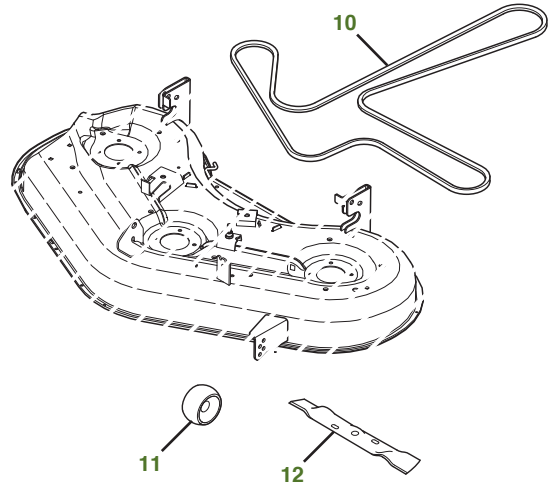
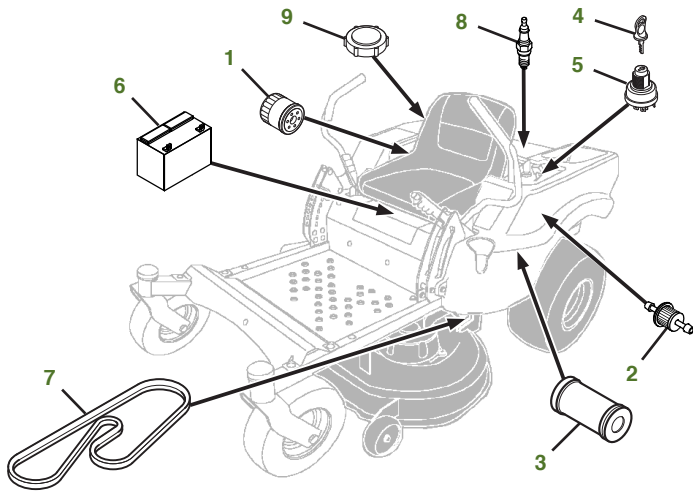


MAINTENANCE REMINDER SHEET

Z255 with 48" Deck



Tractor S/N

Deck S/N

Key	Part No.	Description	Key	Part No.	Description
1	AM125424	ENGINE OIL FILTER	9	GX23465	FUEL CAP
2	AM116304	FUEL FILTER-IN-LINE	10	GX21833	BELT-MOWER
3	MIU14395	AIR FILTER	11	GX10168	GAGE WHEEL
4	AM125504	KEY	12	AM141035	KIT-3N1 BLADE 48"
5	TCA22740	IGNITION SWITCH		AM141036	KIT-BAGGING 48"
6	TY25221	BATTERY			
7	M165413	BELT-TRACTION DRIVE			
8	MIU11020	SPARK PLUG			

Parts Needed in First 250 Hours of Operation

Qty	Part No	Item	Qty or Capacity	Change Interval In Hours
12	TY22029	1 qt. Engine Oil Turf-Gard™ 10W30	1.9 qt	8/50/100/150/200/250
6	AM125424	Engine Oil Filter	1	8/50/100/150/200/250
2	MIU14395	Air Filter	1	100/200
2	AM116304	Fuel Filter-In-Line	1	100/200
4	MIU11020	Spark Plug	2	100/200
2	TY6341	JD Multi Purpose SD Polyurea Grease		As Needed

"As Needed" Parts

Qty	Part No	Item
1	AM130907	Mower Deck Leveling Gauge
1	TY26517	Grease Gun

Home Maintenance Kit

Unit	Kit Number
Z255	LG276 (S/N 130001-)

CLICK PART NUMBER TO BUY