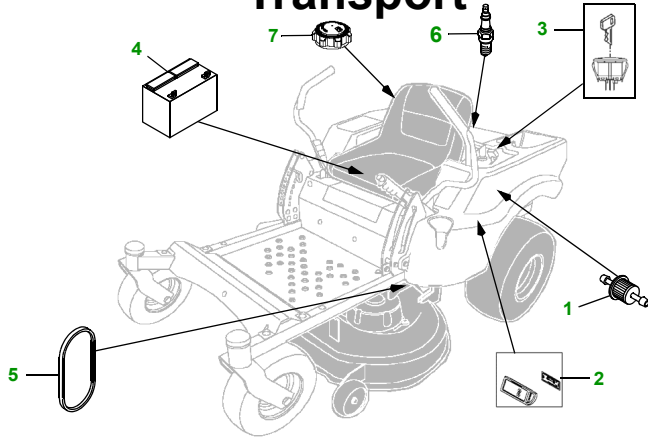


# MAINTENANCE REMINDER SHEET

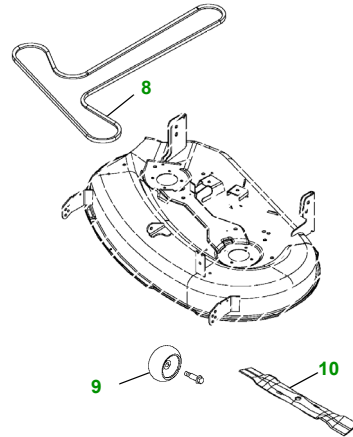
## Z225 with 42" Deck

### Transport



Transport S/N

### 42" Deck



Deck S/N

Key	Part No.	Description
1	AM116304	FUEL FILTER - IN-LINE
	GY20709	FUEL FILTER (PACKAGE)
2	GY20573	AIR FILTER - KIT (PACKAGE)
3	GY20680	KEY (PACKAGE)
	TCA15075	IGNITION SWITCH
4	TY25878	BATTERY
5	M155343	BELT - TRANSAXLE DRIVE
6	M78543	SPARK PLUG

Key	Part No.	Description
7	AM137724	FUEL CAP
8	M154294	BELT - MOWER
9	GX10168	GAGE WHEEL
10	AM141031	KIT - 3N1 BLADE 42"
	AM141033	KIT - MULCHING 42"
	AM141034	KIT - BAGGING 42"
	AM141032	KIT - SIDE DISCHARGE 42"
	GY20850	BLADE - (PKG) (PACKAGED QTY - 2 BLADES)

### Service Recommendations

### "As Needed" Parts

Qty	Part No	Item	Qty or Capacity	Change Interval in Hours
1	TY22076	2 1/2 Gal. Engine Oil Turf Gard® 10W30	1.3 qt	8/50/100/150/200/250
2	GY20573	Air Filter-Kit		100/200
2	AM116304	Fuel Filter		100/200
2	M78543	Spark Plug	1	100/200
2	TY6341	JD Multi Purpose SD Polyurea Grease		As Needed

Qty	Part No	Item
1	TY15272	Mower Deck Leveling Gauge
1	TY15410	Grease Gun

#### FOR ON-LINE PARTS ASSISTANCE:

: [www.JDParts.Deere.com](http://www.JDParts.Deere.com)



- VIEW [John Deere Parts Catalog](#) to look-up part num-
- ORDER parts on-line from your [John Deere Dealer](#)
- SEARCH for parts for [YOUR specific model](#)
- SEARCH for parts by [Partial Part Number](#)

: [www.Deere.com](http://www.Deere.com)

- PRINT [Valuable Parts Coupons](#) for discounts at your John Deere.
- REVIEW John Deere [Parts Quality Stories](#)
- SEE a complete list of all [Home Maintenance Kits](#)
- CONSIDER [Quick Reference Guides](#) for your commercial equipment

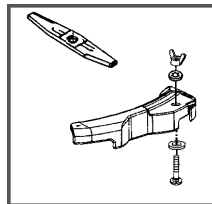
#### FOR ON-LINE SERVICE ASSISTANCE:

: [www.Deere.com](http://www.Deere.com)

- VIEW [Technical \(Service\) Publications and Operator's Manuals](#)
- SELECT the desired [Maintenance Plan](#) that is right for you
- UNDERSTAND the [John Deere Warranty](#) on your equipment

#### OTHER SITES:

- SEARCH [Home & Workshop Products](#) off the Residential section at
- GO TO [www.johndeerecredit.com](http://www.johndeerecredit.com) to find your finance solution
- FIND the mower that is right for you through our [JD Mower Selection](#)
- GO TO [www.johndeeregifts.com](http://www.johndeeregifts.com) to stop by John Deere's "General Store"



Mulch Kit.....BM21816

Dealer Name  
Contact Name  
Dealer Phone No



### Home Maintenance Kit

Unit	Kit Number
Z225	LG251

