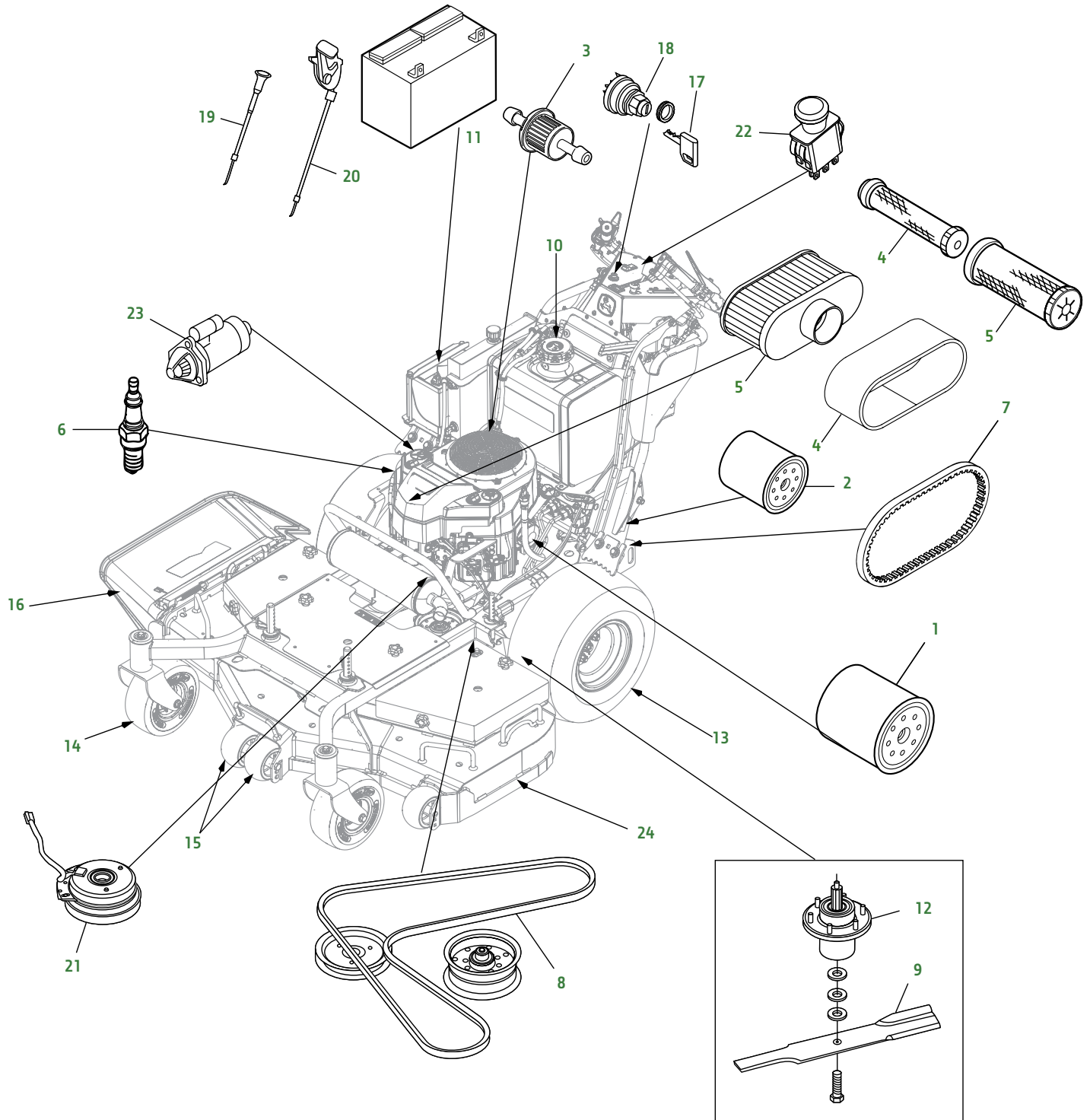


# W36R / W48R / W52R / W61R

Commercial Walk Behind



## W36R / W48R / W52R / W61R

Key	Part No.	Description	Key	Part No.	Description
1	<a href="#">AM125424</a>	...ENGINE OIL FILTER	13	<a href="#">AUC10864</a>	...TIRE & WHEEL ASSEMBLY - 16 X 6.5-8 - 36 in.
2	<a href="#">TCA23150</a>	...FILTER - HYDRO		<a href="#">M154031</a>	...TIRE & WHEEL ASSEMBLY - 16X8.5-8 -48 in.,52 in.&61 in.
3	<a href="#">AM116304</a>	...FUEL FILTER	14	<a href="#">AUC10821</a>	...TIRE & WHEEL ASSEMBLY - CASTER
	<a href="#">MIU13224</a>	...FUEL FILTER - W61R	15	<a href="#">TCU18744</a>	...GAGE WHEEL (3) - 48 in., (4) - 52 in. & (5) - 61 in.
4	<a href="#">MIU12554</a>	...AIR FILTER - FOAM	16	<a href="#">TCA24830</a>	...DISCHARGE CHUTE - INCLUDES LABELS
	<a href="#">M131803</a>	...AIR FILTER SECONDARY - W61R	17	<a href="#">AUC12681</a>	...IGNITION KEY
5	<a href="#">MIU12555</a>	...AIR FILTER - PAPER	18	<a href="#">AUC13979</a>	...IGNITION SWITCH
	<a href="#">M131802</a>	...AIR FILTER PRIMARY - W61R	19	<a href="#">AUC11252</a>	...CABLE - CHOKE - W36R, W48R & W52R
6	<a href="#">M805853</a>	...SPARK PLUG	20	<a href="#">AUC10455</a>	...CABLE - THROTTLE
	<a href="#">MIU11020</a>	...SPARK PLUG - W61R	21	<a href="#">AUC13775</a>	...PTO CLUTCH - W36R, W48R & W52R
7	<a href="#">UC14155</a>	...TRACTION DRIVE BELT		<a href="#">AUC10373</a>	...PTO CLUTCH - W61R
	<a href="#">UC14027</a>	...TRACTION DRIVE BELT - W61R	22	<a href="#">AUC11003</a>	...PTO SWITCH
8	<a href="#">UC11612</a>	...V-BELT - MOWER DECK - 36 in.	23	<a href="#">AUC12656</a>	...STARTER MOTOR
	<a href="#">UC11601</a>	...V-BELT - MOWER DECK - 48 in.		<a href="#">UC16212</a>	...STARTER MOTOR - W61R
	<a href="#">UC11384</a>	...V-BELT - MOWER DECK - 52 in.	24	<a href="#">BUC10042</a>	...MULCH KIT - 36 in.
	<a href="#">UC11591</a>	...V-BELT - MOWER DECK - 61 in.		<a href="#">BUC10043</a>	...MULCH KIT - 48 in.
9	<a href="#">UC10494</a>	...BLADE - 36 in. (2) & 52 in. (3)		<a href="#">BUC10044</a>	...MULCH KIT - 52 in.
	<a href="#">UC10495</a>	...BLADE - 48 in. (3)		<a href="#">BUC10045</a>	...MULCH KIT - 61 in.
	<a href="#">TCU15881</a>	...BLADE - 61 in. (3)			
	<a href="#">UC11182</a>	...BLADE - MULCH - 36 in. (2) & 52 in. (3)			
	<a href="#">UC11184</a>	...BLADE - MULCH - 48 in. (3)			
	<a href="#">M168223</a>	...BLADE - MULCH - 61 in. (3)			
10	<a href="#">TCU35983</a>	...FILLER CAP			
11	<a href="#">TY25221</a>	...BATTERY			
12	<a href="#">AM144424</a>	...SPINDLE 36 in. & 52 in.			
	<a href="#">AM144423</a>	...SPINDLE 48 in.			
	<a href="#">AM144425</a>	...SPINDLE 61 in.			

## Parts Needed in First 300 Hours of Operation - Refer To Operator's Manual

Qty	Part No.	Item	Capacity	Interval In Hours
3	<a href="#">AM125424</a>	Engine Oil Filter		100/200/300
6	<a href="#">TY26674</a>	1 qt JD Plus-50™ II 15W-40	1.8 qt	100/200/300
7			2.2 qt (61 in.)	100/200/300
1	<a href="#">MIU12555</a>	Air filter - Paper - W36R, W48R & W52R		300
1	<a href="#">MU12554</a>	Air filter - Foam - W36R, W48R & W52R		300
1	<a href="#">M131802</a>	Air Filter Primary - W61R		300
1	<a href="#">AM116304</a>	Fuel Filter - W36R, W48R & W52R		300
1	<a href="#">TCA23150</a>	Hydraulic Filter		300
4	<a href="#">TY26674</a>	JD Plus-50™ II 15W-40	3.8 L (4.0 qt)	300
1	<a href="#">TY24416</a>	John Deere Multi-Purpose HD Lithium Complex Grease	As Needed	

## Capacities

Crankcase Oil Capacity (with Filter) W36R, W48R &amp; W52R..... 1.7 L (1.8 qt)

Crankcase Oil Capacity (with Filter) W61R .....2.1 L (2.2 qt)

Transmission Oil (With Filters).....3.8 L (4.0 qt)

Grease Gun..... TY26518