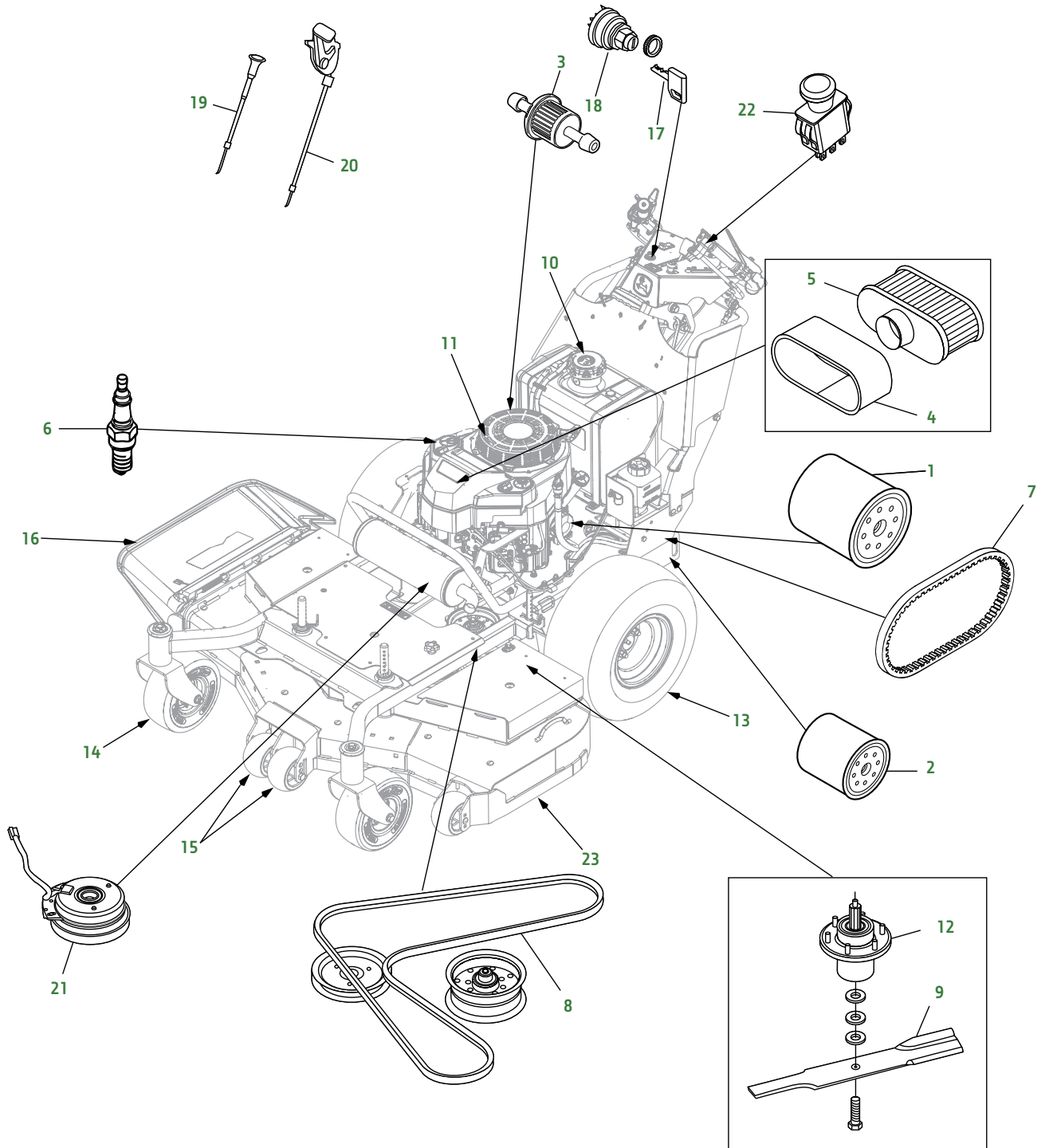


# W36M / W48M

Commercial Walk Behind



## W36M / W48M

Key	Part No.	Description	Key	Part No.	Description
1	<a href="#">AM125424</a>	...ENGINE OIL FILTER	16	<a href="#">TCA24830</a>	...DISCHARGE CHUTE - INCLUDES LABELS - 36 in., 48 in.
2	<a href="#">MIU13018</a>	...FILTER - HYDRO	17	<a href="#">AUC12681</a>	...IGNITION KEY
3	<a href="#">AM116304</a>	...FUEL FILTER	18	<a href="#">AUC13979</a>	...IGNITION SWITCH
4	<a href="#">MIU12554</a>	...AIR FILTER - FOAM	19	<a href="#">AUC11252</a>	...CABLE - CHOKE
5	<a href="#">MIU12555</a>	...AIR FILTER - PAPER	20	<a href="#">AUC10455</a>	...CABLE - THROTTLE
6	<a href="#">M805853</a>	...SPARK PLUG	21	<a href="#">AUC13776</a>	...PTO CLUTCH
7	<a href="#">UC14027</a>	...TRACTION DRIVE BELT	22	<a href="#">AUC11003</a>	...PTO SWITCH
8	<a href="#">UC11612</a>	...V-BELT - MOWER DECK - 36 in.	23	<a href="#">BUC10042</a>	...MULCH KIT - 36 in.
	<a href="#">UC11601</a>	...V-BELT - MOWER DECK - 48 in.		<a href="#">BUC10043</a>	...MULCH KIT - 48 in.
9	<a href="#">UC10494</a>	...BLADE - 36 in. (2)			
	<a href="#">UC10495</a>	...BLADE - 48 in. (3)			
	<a href="#">UC11182</a>	...BLADE - MULCH - 36 in. (2)			
	<a href="#">UC11184</a>	...BLADE - MULCH - 48 in. (3)			
10	<a href="#">TCU35983</a>	...FILLER CAP			
11	<a href="#">MIA12528</a>	...RECOIL STARTER			
12	<a href="#">AM144424</a>	...SPINDLE 36 in.			
	<a href="#">AM144423</a>	...SPINDLE 48 in.			
13	<a href="#">AUC10864</a>	...TIRE & WHEEL ASSEMBLY - 16 X 6.5-8 - 36 in.			
	<a href="#">M154031</a>	...TIRE & WHEEL ASSEMBLY - 16 X 8.5-8 - 48 in.			
14	<a href="#">AUC10821</a>	...TIRE & WHEEL ASSEMBLY - CASTER			
15	<a href="#">TCU18744</a>	...GAGE WHEEL (3) - 48 in.			

## Parts Needed in First 300 Hours of Operation - Refer To Operator's Manual

Qty	Part No.	Item	Capacity	Interval In Hours
3	<a href="#">AM125424</a>	Engine Oil Filter		100/200/300
6	<a href="#">TY26674</a>	1 qt JD Plus-50™ II 15W-40	1.8 qt	100/200/300
1	<a href="#">MIU12555</a>	Air Filter - Paper		300
1	<a href="#">MU12554</a>	Air Filter - Foam		300
1	<a href="#">AM116304</a>	Fuel Filter		300
1	<a href="#">MIU13018</a>	Hydraulic Filter		300
4	<a href="#">TY26674</a>	JD Plus-50™ II 15W-40	4.7 L (5.0 qt)	300
1	<a href="#">TY24416</a>	John Deere Multi-Purpose HD Lithium Complex Grease	As Needed	

## Capacities

Crankcase Oil Capacity (with Filter)..... 1.7 L (1.8 qt)

Transmission Oil (With Filters)..... 4.7 L (5.0 qt)

Grease Gun..... TY26518