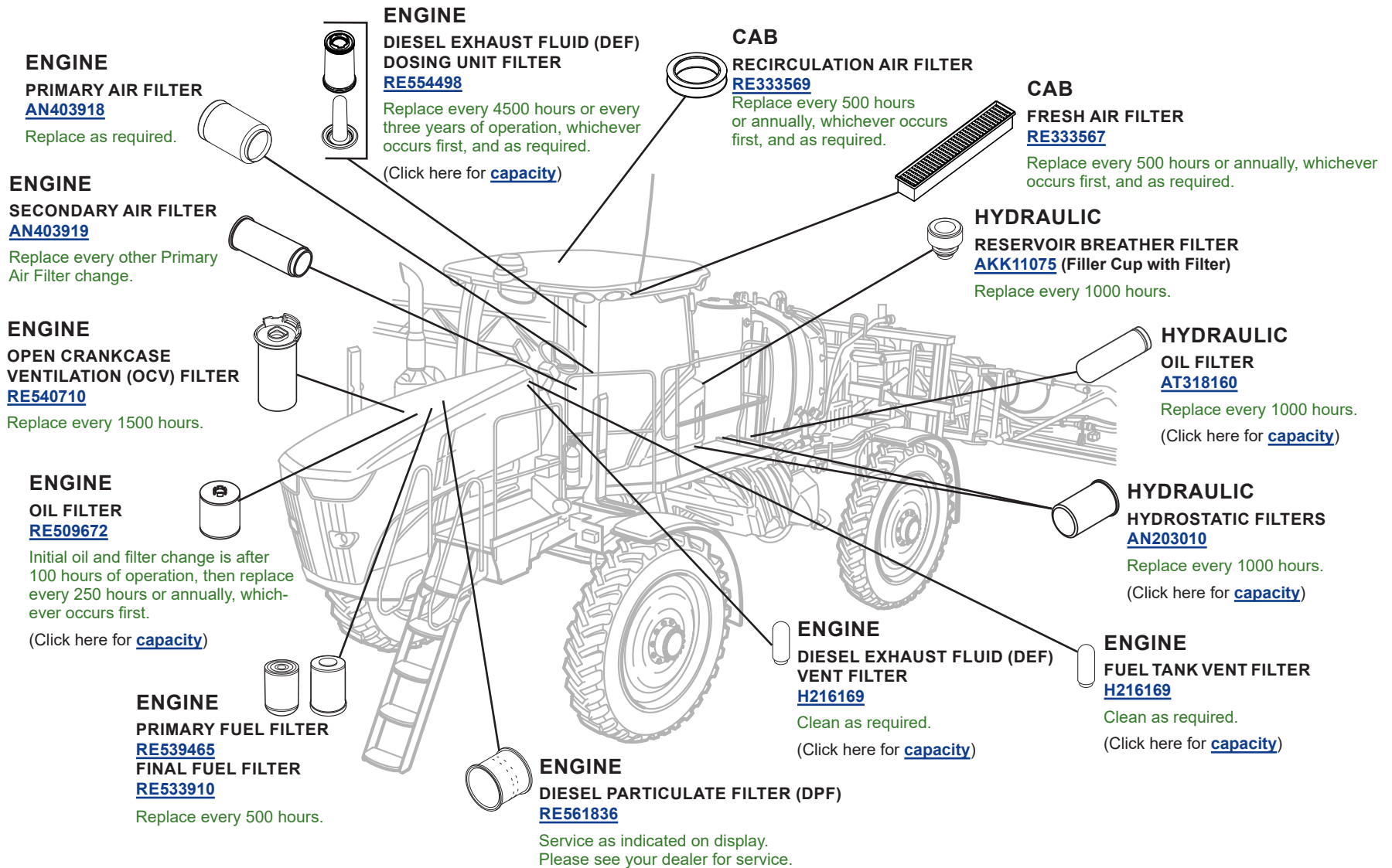


# FILTER OVERVIEW WITH SERVICE INTERVALS AND CAPACITIES

## R4045 Self-Propelled Sprayer (FT4)



# CAPACITIES

## R4045 Self-Propelled Sprayer (FT4)

### CAPACITIES (Approximate):

#### **Fuel Tank:**

..... 586 L (155 gal)

#### **Diesel Exhaust Fluid (DEF) Tank: John Deere™ Diesel Exhaust Fluid**

..... 29.5 L (7.8 gal)

#### **Cooling System with Heater: Cool-Gard™ II**

..... 38 L (10 gal)

#### **Crankcase including Filter: Plus-50™ II**

..... 31 L (8.2 gal)

#### **Hydraulic Reservoir: Torq-Gard Supreme™**

..... 98 L (26 gal)

#### **Hydraulic System:**

#### **Torq-Gard Supreme™**

..... 208 L (55 gal)

#### **Planetary Hubs (Each):**

#### **John Deere GL-5 80W-140 Synthetic Gear Lube**

..... 2.5 L (2.6 qt)

[Return to Filter Overview](#)

