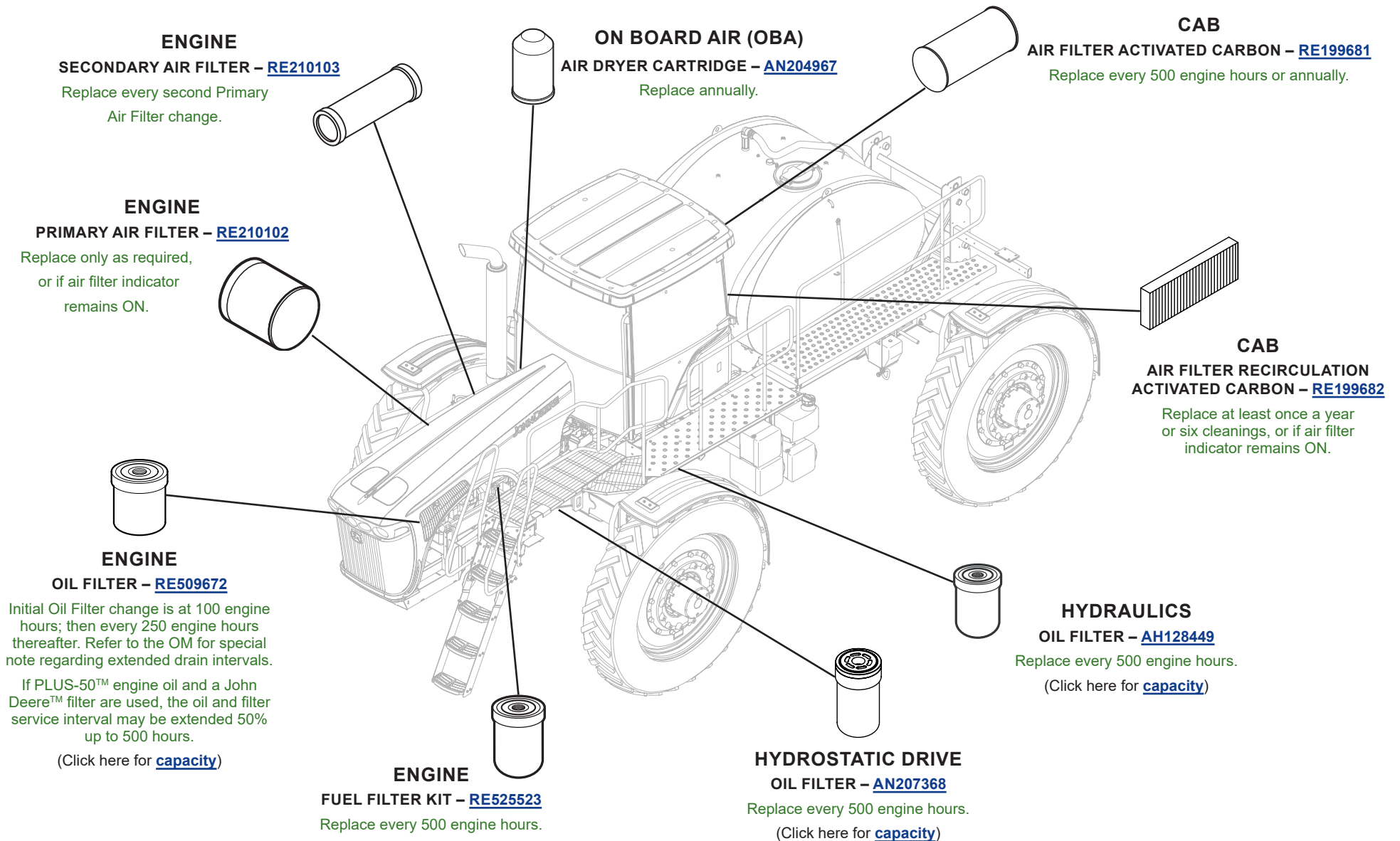


# FILTER OVERVIEW WITH SERVICE INTERVALS AND CAPACITIES

## 4930 Self-Propelled Sprayer



# CAPACITIES

## 4930 Self-Propelled Sprayer

### CAPACITIES (Approximate):

#### **Fuel Tank:**

..... 534 L (141 gal)

#### **Cooling System with Heater:**

##### **Cool-Gard™ II**

..... 40 L (10.6 gal)

#### **Crankcase including Filter:**

##### **Plus-50™ II**

..... 31 L (8.2 gal)

#### **Hydraulic Reservoir:**

##### **Torq-Gard™ Supreme**

..... 76 L (20 gal)

#### **Hydraulic System:**

##### **Torq-Gard™ Supreme**

Hydraulic and Hydrostatic..... 163 L (43 gal)

#### **Final Drives (Front Hubs) Each:**

##### **GL-5**

..... 3.8 L (4.0 qt)

#### **Final Drives (Rear Hubs) Each:**

##### **GL-5**

..... 3.8 L (4.0 qt)

[Return to Filter Overview](#)

