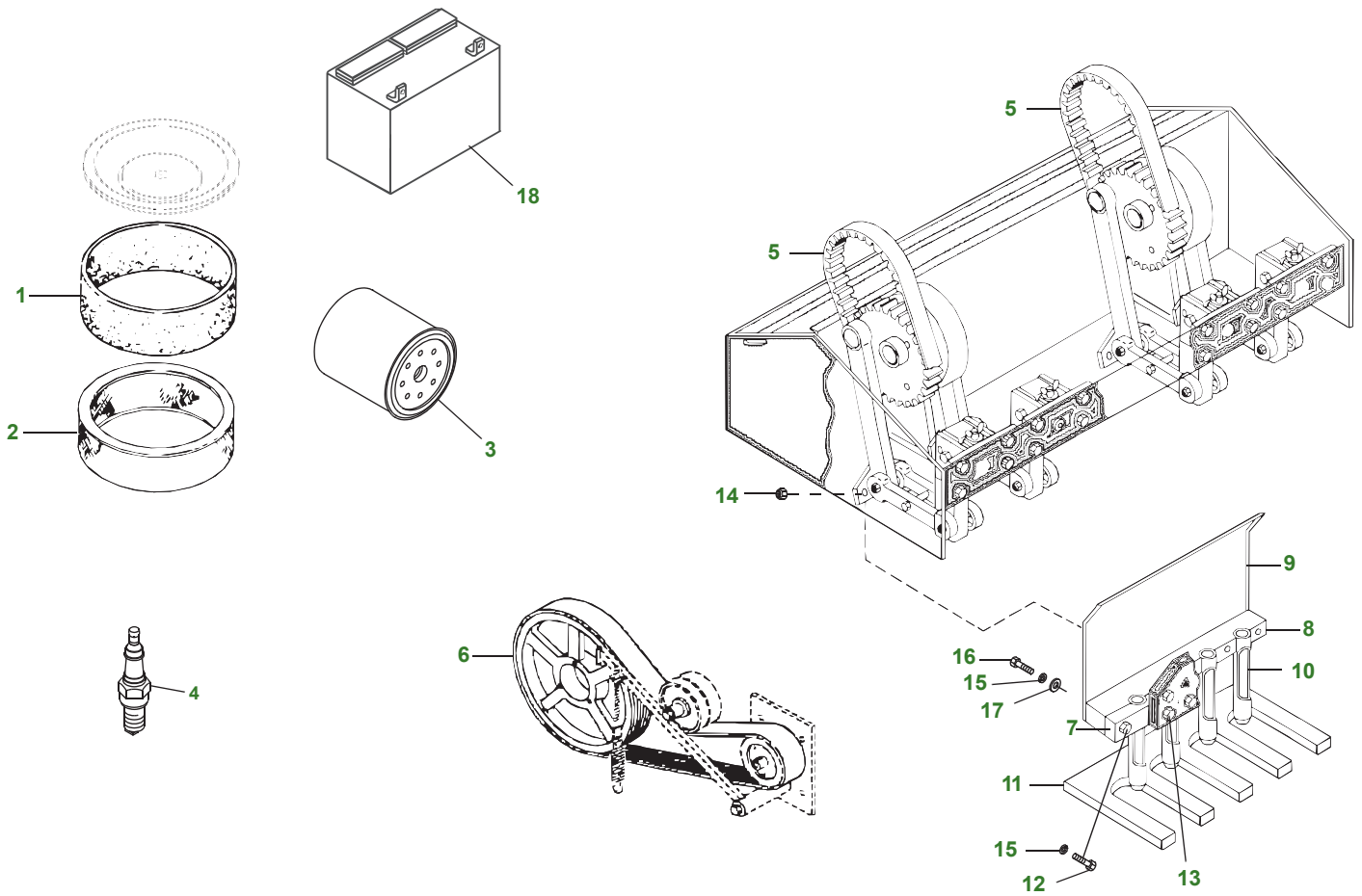


800 Aercore™ Aerator



Key	Part No.	Description	Key	Part No.	Description
1	M132439	AIR FILTER - PRE CLEANER (S/N - 060000)	11	MT4885	GUARD - RH-TURF
2	M47494	AIR FILTER (S/N -060000)		MT4886	GUARD - LH-TURF
	GY20576	AIR FILTER (S/N 060001-)		MT4942	GUARD - (MINI-TINE/NEEDLE TINE - RH)
3	AM125424	ENGINE OIL FILTER		MT4941	GUARD - (MINI-TINE - LH)
4	M78543	SPARK PLUG (S/N -045000)	12	19H4033	SCREW (USE WITH AMT1831 AND MT3458)
	M149113	SPARK PLUG (S/N 045001-060000)		19H3130	SCREW (USE WITH TCA51329 AND TCU51844)
	MIU11299	SPARK PLUG (S/N 060001-)		R34582	SET SCREW - (MINI-TINE)
5	MT3256	TINE RAM DRIVE BELT	13	MT2952	SCREW
6	MT3429	BELT - AERATOR HEAD DRIVE	14	MT3395	LOCK NUT
7	AMT1831	HOLDER (4 X .75 in.)	15	MT3949	LOCK WASHER (USE WITH 19H4033)
	AMT1832	HOLDER (MINI-TINE)		12H303	LOCK WASHER (USE WITH 19H3130)
	TCA51329	HOLDER (4 X .88 in.)	16	19H1905	CAP SCREW (DEFLECTOR)
8	MT3458	BAR (4 X .75 in.)		19H1849	SCREW (NEEDLE TINE)
	TCU51844	BAR (4 X .88 in.)	17	24H1136	WASHER (DEFLECTOR)
	TCU51898	BAR (NEEDLE TINE)	18	TY25881	BATTERY
9	MT3870	DEFLECTOR	19	12M7056	LOCK WASHER
10		TINES - SEE TINE CHART		12H303	LOCK WASHER (USE WITH 19H1849)

800 Aercore™ Aerator (Continued)

Parts Needed in First 200 hours of Operation

Qty	Part No.	Item	Capacity	Interval In Hours
6	AM125424	Engine Oil Filter		10/100/200
6	TY22029	TURF-GARD™ 10W-30 Engine Oil - 1 qt	1.9 qt	10/100/200
4	M78543	Spark Plug (S/N -045000)	2	200
4	M149113	Spark Plug (S/N 045001-060000)	2	200
4	MIU11299	Spark Plug (S/N 060001-)	2	200
1	M132439	Air Filter - Pre Cleaner (S/N -060000)		100/200
1	M47494	Air Filter (S/N -060000)		100/200
1	GY20576	Air Filter (S/N 060001-)		100/200
3	TY6341	Multi Purpose SD Polyurea Grease (14 oz)		As Needed
1	TY6354	Hy-Gard™ (JDM J20C) Hydraulic Oil - 1 gal	2 qt	200
Tines - See Tine Chart				As Needed