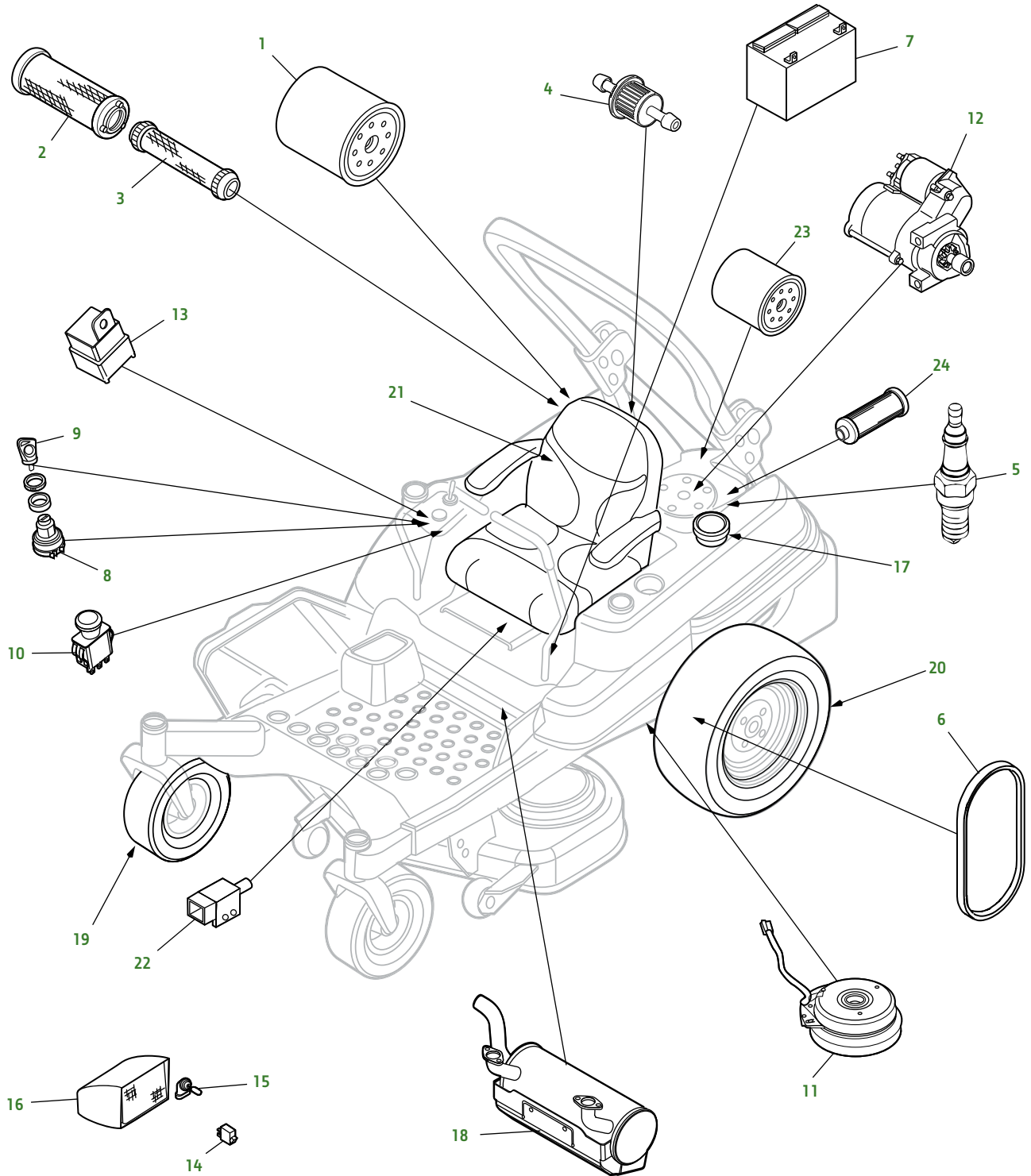


Z915B / Z915E / Z920M / Z925M EFI / Z925M FLEX FUEL Z930M EFI / Z930M / Z945M EFI / Z950M / Z955M EFI / Z960M Z920R / Z930R / Z950R / Z960R / Z970R



Z915B / Z915E / Z920M / Z925M EFI / Z925M FLEX FUEL Z930M EFI / Z930M / Z945M EFI / Z950M / Z955M EFI / Z960M Z920R / Z930R / Z950R / Z960R / Z970R

Key	Part No.	Description	Key	Part No.	Description
1	AM107423 . . .	ENGINE OIL FILTER - Z930M/R, Z950M/R, Z960M/R & Z970R		AUC11007 . . .	PTO CLUTCH - Z920M 60 in. (S/N -030000), Z925M EFI & FLEX FUEL 60 in. (S/N -030000), Z930M/R 60 in., 60 in. MOD & 72 in. (S/N -030000), Z930R 54 in. & 54 in. MOD (S/N -030000), Z930M EFI 60 in. & 60 in. MOD (S/N -030000), Z950M/R - Z970R
	AM125424 . . .	ENGINE OIL FILTER - Z915B, Z915E, Z920M/R, Z930M EFI, Z925M EFI & Z925M FLEX FUEL, Z945M EFI, Z955M EFI		MIA13172 . . .	STARTER - Z915B, Z915E, Z930M EFI, Z925M EFI & Z925M FLEX FUEL
2	M131802 . . .	AIR FILTER - PRIMARY		AUC12656 . . .	STARTER - Z920M/R
3	M131803 . . .	AIR FILTER - SECONDARY		AUC12593 . . .	STARTER - Z930M/R, Z950M/R, Z960M/R & Z970R
4	MIU13224 . . .	FUEL FILTER - Z925M EFI, Z925M FLEX FUEL & Z930M EFI		UC16212 . . .	STARTER - Z945M EFI, Z955M EFI
	AM116304 . . .	FUEL FILTER		AM123716 . . .	RELAY - Z920M - Z960M
	UC16183 . . .	FUEL FILTER - Z945M EFI, Z955M EFI		SJ15811 . . .	RELAY - Z920R-Z970R
5	M805853 . . .	SPARK PLUG - Z920M/R, Z930M/R & Z950M/R	13	AM117324 . . .	SWITCH - HEADLIGHT (OPTIONAL)
	M802138 . . .	SPARK PLUG - Z960M/R & Z970R		AM118013 . . .	HEADLIGHT BULB (OPTIONAL)
	MIU11020 . . .	SPARK PLUG - Z915B, Z915E, Z925M EFI, Z930M EFI, Z930M & Z925M FLEX FUEL	14	AM125447 . . .	HEADLIGHT (OPTIONAL)
	UC16172 . . .	SPARK PLUG - Z945M EFI, Z955M EFI	15	TCA23672 . . .	FILLER CAP (S/N -060000)
6	TCU34299 . . .	V-BELT - TRACTION DRIVE	16	AUC11638 . . .	FILLER CAP (S/N 060001-)
7	TY25221 . . .	BATTERY	17	TCA21567 . . .	MUFFLER - Z915B, Z915E
8	TCA22740 . . .	IGNITION SWITCH - (S/N -030000)	18	TCA21568 . . .	MUFFLER - Z920M/R
	UC10104 . . .	IGNITION SWITCH - (S/N 030001-)		TCA21569 . . .	MUFFLER - Z930M/R & Z950M/R
9	AM125504 . . .	IGNITION KEY - (S/N -030000)		TCA26233 . . .	MUFFLER - Z960M/R & Z970R
	TCA24616 . . .	IGNITION KEY - (S/N 030001-)		TCA21571 . . .	MUFFLER - Z925M EFI, Z930M EFI & Z925M FLEX FUEL
10	TCA21027 . . .	PTO SWITCH - (S/N 010000-040000)		TCA26234 . . .	MUFFLER - Z945M EFI, Z955M EFI
	AUC11003 . . .	PTO SWITCH - ROCKER STYLE - (S/N 040001-)	19	TCA19309 . . .	CASTER WHEEL
11	TCA24445 . . .	PTO CLUTCH - [Z915B & Z915E - 48 in. & 54 in.]		TCA13769 . . .	CASTER WHEEL - Z915B, Z915E
	TCA24446 . . .	PTO CLUTCH - [Z915B & Z915E - 60 in.], Z920M/R 48 in., 48 in. MOD & 54 in., Z920M 60 in. (S/N 030001-), Z925M EFI/FLEX FUEL 54 in. & 54 in. MOD, Z925M EFI/FLEX FUEL 60 in. (S/N 030001-), Z930M 54 in. & 54 in. MOD, Z930R 54 in. & 54 in. MOD (S/N 030001-), Z930M EFI 60 in. and 60 in. MOD (S/N 030001-), Z930M/R 60 in. & 60 in. MOD (S/N 030001-), Z945M EFI 60 in. & 60 in. MOD	20	TCU22802 . . .	TIRE REAR - [Z915B & Z915E (48in.)] & Z920M/R
				TCU13631 . . .	TIRE REAR (24 X 12-12) -TURF MASTER
			21	TCA23663 . . .	SEAT ASSEMBLY
			22	TCA15398 . . .	BRAKE SWITCH
			23	LVA16054 . . .	HYDRAULIC FILTER - Z920R-Z970R
			24	MIA881446 . . .	HYDRAULIC FILTER KIT

Parts Needed in First 250 Hours of Operation

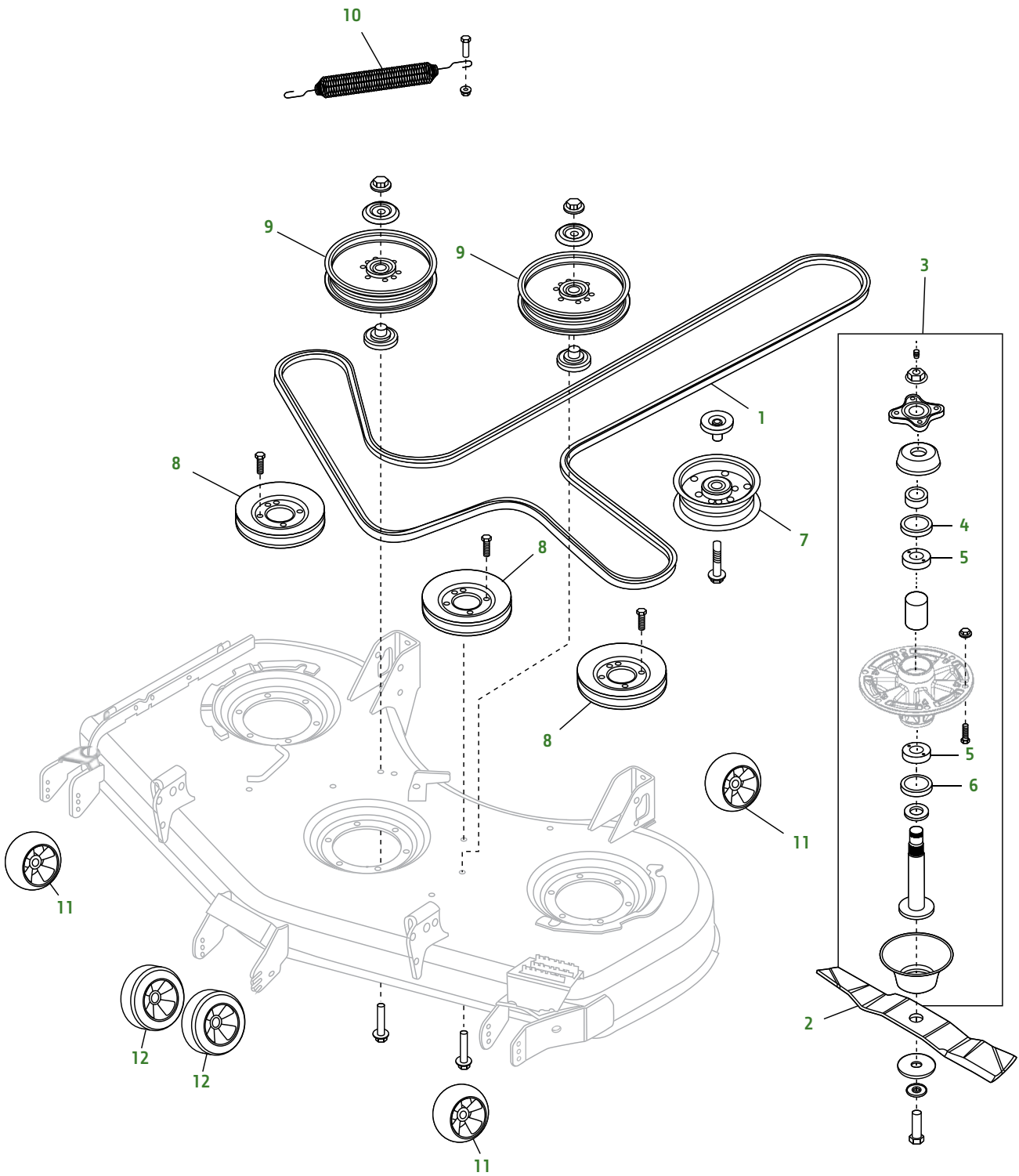
Qty	Part No.	Item	Capacity	Interval In Hours
3	AM125424	Engine Oil Filter - Z915B, Z915E, Z920M/R, Z930M EFI, Z925M EFI & Z925M FLEX FUEL Z945M EFI, Z955M EFI	1	8/100/200
3	AM107423	Engine Oil Filter - Z930M/R, Z950M/R, Z960M/R & Z970R		8/100/200
6	TY22029	TURF-GARD™ 10W-30 Engine Oil - 1 qt	2.0 qt	8/100/200
8		Z960R/Z970R (S/N 030001-), Z915B, Z915E, Z920M/R, Z925M EFI, Z925M FLEX FUEL & Z930M EFI	2.5 qt	8/100/200
9		Z945M EFI, Z955M EFI	2.7 qt	8/100/200
2	M131802	Air Filter - Primary	1	100/200
1	M131803	Air Filter - Secondary	1	200
1	AM116304	Fuel Filter	1	200
1	MIU13224	Fuel Filter - Z925M FLEX FUEL, Z925M EFI, Z930M EFI	1	200
1	UC16183	FUEL FILTER - Z945M EFI, Z955M EFI	1	200
3	TY6341	Multi-Purpose SD Polyurea Grease (14 oz)		As Needed

Capacities

Z900R Series Transmission Oil (With Filters) 5 L (5.3 qt)
Z900B, Z915B and Z900M Series Transmission Oil (With Filters) 4.5 L (4.8 qt)

Engine Oil w/ Filter - Z915B & Z915E 1.6 - 1.8 L (1.7 - 1.9 qt)
Engine Oil w/ Filter - Z925M and Z930M EFI 1.6 - 1.8 L (1.7 - 1.9 qt)
Engine Oil w/ Filter - Z920M 2.0 L (2.1 qt)
Engine Oil w/ Filter - Z930M, Z950M, Z930R, and Z950R 2.3 L (2.4 qt)
Engine Oil w/ Filter - Z960M and Z970R 1.9 L (2.0 qt)
Engine Oil w/ Filter - Z945M EFI, Z955M EFI 2.6 L (2.7 qt)
Grease Gun TY26518

48 in. / 54 in. / 60 in. / 72 in. decks (Z900B - Z900R Series)



Commercial ZTR Mowers

48 in. / 54 in. / 60 in. / 72 in. decks (Z900B - Z900R Series) (Continued)

Key	Part No.....Description	Key	Part No.....Description
1	TCU30510 BELT - 48 in.	3	TCA24880 SPINDLE KIT
	TCU31132 BELT - 54 in.	4	M85699 SEAL
	TCU35604 BELT - 60 in.	5	M169375 BEARING
	TCU31194 BELT - 72 in.	6	M127198 SEAL
2	TCU30315 BLADE - HIGH LIFT - 48 in.	7	TCA20602 IDLER
	TCU18678 BLADE - LOW LIFT - 48 in.	8	TCU26965 SHEAVE ASSEMBLY - 48 in.
	M136185 BLADE - MULCH - 48 in.		TCU28215 SHEAVE ASSEMBLY - 54 in.
	TCU21475 BLADE - MULCH ON DEMAND - 48 in.		TCU26967 SHEAVE ASSEMBLY - 60 in.
	M136194 BLADE - STANDARD LIFT - 48 in.		TCU26968 SHEAVE ASSEMBLY - 72 in.
	TCU30317 BLADE - HIGH LIFT - 54 in.	9	TCA17135 IDLER
	M135334 BLADE - MULCH - 54 in.	10	TCA22763 EXTENSION SPRING
	TCU30316 BLADE - STANDARD LIFT - 54 in.	11	TCU18744 GAGE WHEEL
	TCU15881 BLADE - HIGH LIFT - 60 in.	12	TCU34060 ROLLER
	M133381 BLADE - LOW LIFT - 60 in.		
	M168223 BLADE - MULCH - 60 in.		
	TCU18990 BLADE - MULCH ON DEMAND - 60 in.		
	M128485 BLADE - STANDARD LIFT - 60 in.		
	TCU15882 BLADE - HIGH LIFT - 72 in.		
	M141669 BLADE - LOW LIFT - 72 in.		
	M142514 BLADE - MULCH - 72 in.		

Frequently Used Items

Qty	Part No.	Item
3	TCA24880	Spindle Kit
3	TCU30315	Blade - High Lift - 48 in.
3	TCU18678	Blade - Low Lift - 48 in.
3	M136185	Blade - Mulch - 48 in.
3	TCU21475	Blade - Mulch On Demand - 48 in.
3	M136194	Blade - Standard Lift - 48 in.
3	TCU30317	Blade - High Lift - 54 in.
3	M135334	Blade - Mulch - 54 in.
3	TCU30316	Blade - Standard Lift - 54 in.
3	TCU15881	Blade - High Lift - 60 in.
3	M133381	Blade - Low Lift - 60 in.
3	M168223	Blade - Mulch - 60 in.
3	TCU18990	Blade - Mulch On Demand - 60 in.
3	M128485	Blade - Standard Lift - 60 in.
3	TCU15882	Blade - High Lift - 72 in.
3	M141669	Blade - Low Lift - 72 in.
3	M142514	Blade - Mulch - 72 in.
1	TCU30510	Belt - 48 in
1	TCU31132	Belt - 54 in
1	TCU35604	Belt - 60 in
1	TCU31194	Belt - 72 in