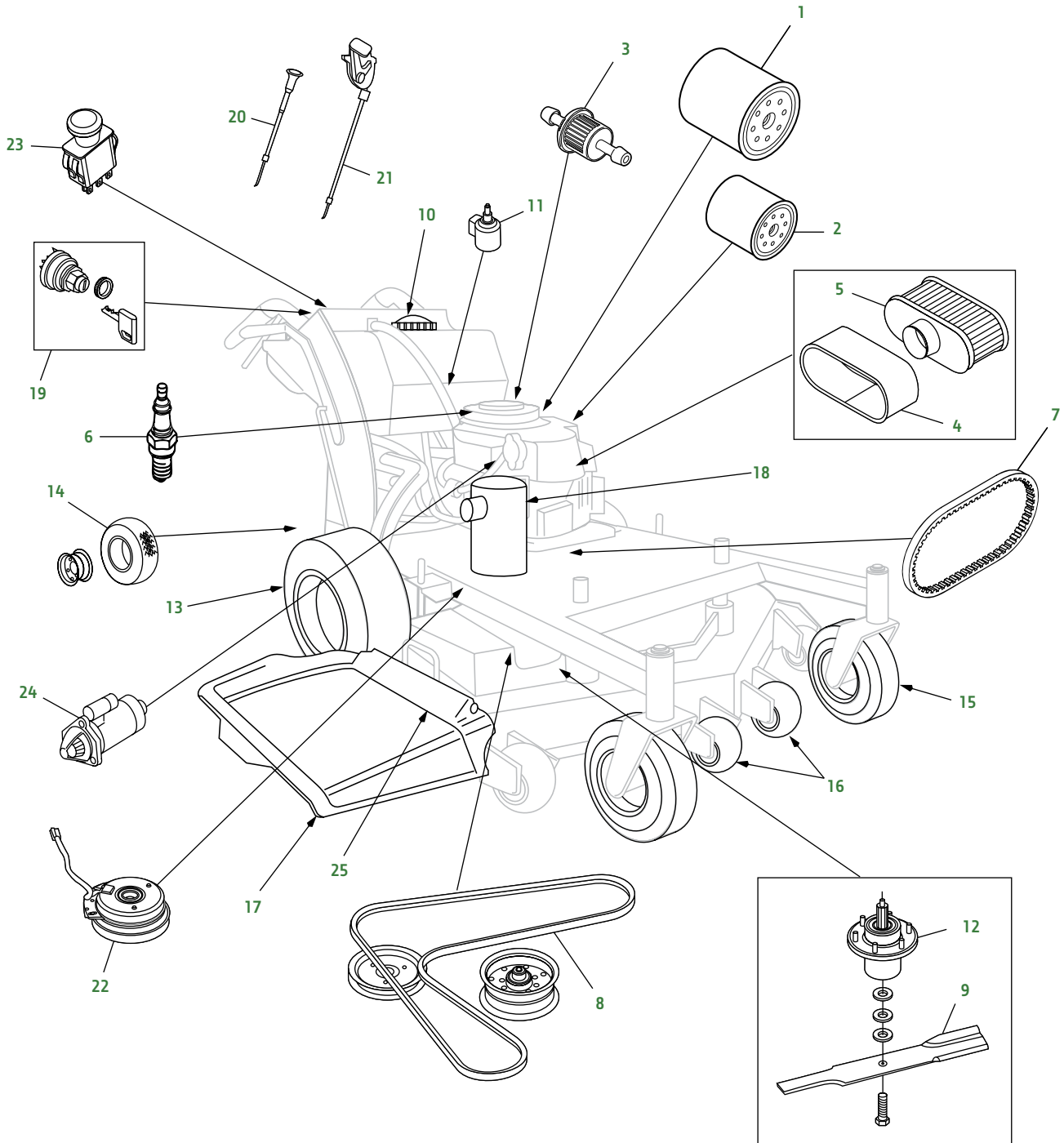


WH36A / WH48A / WH52A / WH61A / WHP36A / WHP48A / WHP52A / WHP61A



WH36A / WH48A / WH52A / WH61A / WHP36A / WHP48A / WHP52A / WHP61A

Key	Part No.	Description	Key	Part No.	Description
1	AM125424	... ENGINE OIL FILTER	17	TCA16388	... DISCHARGE CHUTE - INCLUDES LABELS - 36 in., 48 in. & 52 in.
2	M131053	... FILTER - HYDRO		TCA24830	... DISCHARGE CHUTE - INCLUDES LABELS - 61 in.
3	AM116304	... FUEL FILTER	18	MIA12411	... MUFFLER - [36 in., 48 in. & 52 in. (S/N -050000)]
4	MIU12554	... AIR FILTER - FOAM		TCU36138	... MUFFLER - [36 in., 48 in. & 52 in. (S/N 050001-)]
5	MIU12555	... AIR FILTER - PAPER		TCA23956	... MUFFLER - 61 in.
6	M805853	... SPARK PLUG		M136651	... GASKET
7	TCU29186	... V-BELT - PTO - 36 in. (S/N -040000), 48 in., 52 in. & 61 in.	19	AM119111	... IGNITION SWITCH - INCLUDES KEY
	TCU33063	... V-BELT - PTO - 36 in. (S/N 040001-)	20	AM124624	... CABLE - CHOKE - [WH36A, WH48A, & WH52A (S/N -040000)]
8	TCA20591	... V-BELT - MOWER DECK - 36 in.		TCA22654	... CABLE - CHOKE - WHP36A & [WH36A (S/N 040001-)]
	TCU29747	... V-BELT - MOWER DECK - 48 in.		TCA20550	... CABLE - CHOKE - [WH48A & WH52A (S/N 040001-)], WH61A, WHP48A, WHP52A, & WHP61A
	TCA20749	... V-BELT - MOWER DECK - 52 in.	21	TCA20482	... CABLE - THROTTLE - [WH36A (S/N -040000)], 48 in., 52 in. & 61 in.
	TCU36021	... V-BELT - MOWER DECK - 61 in.		TCA22653	... CABLE - THROTTLE - WHP36A & [WH36A (S/N 040001-)]
9	TCU29188	... BLADE - 36 in. (2) & 52 in. (3)	22	TCA20484	... PTO CLUTCH
	TCU29299	... BLADE - 48 in. (3)	23	AUC10632	... PTO SWITCH - [WH36A, WH48A, WH52A, WHP52A (S/N -040000)]
	GDU10232	... BLADE - 61 in. (3)		TCA22710	... PTO SWITCH - [WH36A, WH48A, WH52A, WHP52A (S/N 040001-)] WHP36A, WHP48A, WH61A & WHP61A
	TCU29869	... BLADE - MULCH - 36 in. (2) & 52 in. (3)	24	AUC12656	... STARTER MOTOR
	TCU29868	... BLADE - MULCH - 48 in. (3)	25	TCB11739	... MULCH KIT - 36 in.
	TCU36515	... BLADE - MULCH - 61 in. (3)		TCB11740	... MULCH KIT - 48 in.
10	TCU30102	... FILLER CAP - [36 in., 48 in. & 52 in. (S/N -050000)]		TCB11741	... MULCH KIT - 52 in.
	TCU35983	... FILLER CAP - [36 in., 48 in. & 52 in. (S/N 050001-)] & 61 in.		BTC10636	... MULCH KIT - 61 in.
11	M149320	... FUEL SOLENOID			
12	TCA20480	... SPINDLE			
13	TCA20509	... TIRE & WHEEL ASSEMBLY - 16 X 6.5-8 - 36 in.			
	TCA20767	... TIRE & WHEEL ASSEMBLY - 16 X 7.5-8 - 48 in. & 52 in.			
	TCA23909	... TIRE & WHEEL ASSEMBLY - 16 X 8.5-8 - 61 in.			
14	TCA20830	... TIRE & WHEEL ASSEMBLY - SULKY - 36 in., 48 in. & 52 in.			
15	TCA22217	... TIRE & WHEEL ASSEMBLY - CASTER			
16	TCU18744	... GAGE WHEEL (4) - 48 in., 52 in. & 61 in.			

Parts Needed in First 300 Hours of Operation - Refer To Operator's Manual

Qty	Part No.	Item	Capacity	Interval In Hours
4	AM125424	Engine Oil Filter		8/100/200/300 (S/N -050000) 10/100/200/300 (S/N 050001-)
8	TY22029	1 qt John Deere Turf-Gard™ Engine Oil	1.8 qt (36, 48, 52 in.)	8/100/200/300 (S/N -050000) 10/100/200/300 (S/N 050001-)
9			2.2 qt (61 in.)	10/100/200/300
1	MIU12555	Air Filter - Paper		200 (S/N -050000) 300 (S/N 050001-)
1	MIU12554	Air Filter - Foam		200 (S/N -050000) 300 (S/N 050001-)
1	AM116304	Fuel Filter		200
1	M131053	Hydraulic Filter		300
4	TY26674	JD Plus-50™ 15W-40	3.3 L (3.7 qt)	300

Capacities

Crankcase Oil Capacity (with Filter) WH36A, WH48A, WH52A	1.7 L (1.8 qt)
Crankcase Oil Capacity (with Filter) WH61A	2.1 L (2.2 qt)
Hydraulic Tank (Completely Empty)	4.7 L (5 qt)
Hydraulic Tank (Capacity of Oil Change)	3.3 L (3.7 qt)
Grease Gun	TY26518