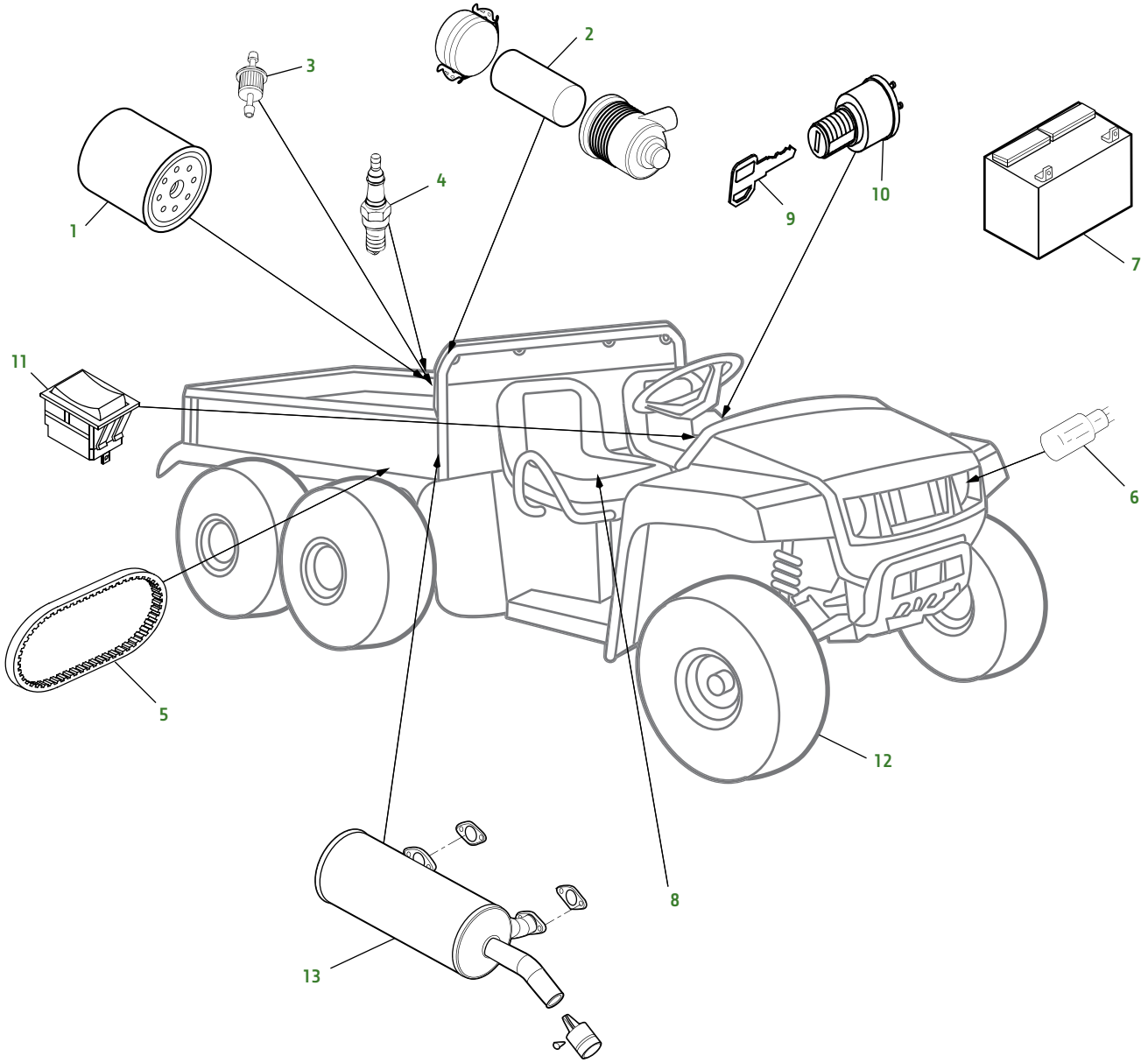


Gator TH 6X4



Gator TH 6X4

Key	Part No.	Description	Key	Part No.	Description
1	AM107423	OIL FILTER - ENGINE	13	VGA10547	MUFFLER (S/N - 050000)
2	M113621	AIR FILTER		AM138509	MUFFLER (S/N 050001-)
3	AM116304	FUEL FILTER		M136651	GASKET
4	M138938	SPARK PLUG		AM108146	ARRESTOR (S/N -100000)
5	M174026	BELT - DRIVE		M158299	ARRESTOR (S/N 100001-)
6	AM118013	BULB - HEADLIGHT	14	LG259	HOME MAINTENANCE KIT
7	TY25221	BATTERY - DRY			
8	VG11696	SEAT (S/N -100000)			
	AM140211	SEAT (S/N 100001-)			
9	AM131841	KEY			
10	TCA22740	SWITCH - IGNITION			
11	AM117324	SWITCH - LIGHT			
12	M138664	TIRE - FRONT - ALL PURPOSE — 22.5 X 10-8 in †			
	M170693	TIRE - FRONT - ALL PURPOSE — 22.5 X 10-8 in ‡			
	M170694	TIRE - FRONT - TURF — 22.5 X 10-8 in ‡			
	R90798	TIRE - FRONT - KNOBBY — 22.5 X 10-8 in †			
	M170695	TIRE - FRONT - KNOBBY — 22.5 X 10-8 in ‡			
	M170696	TIRE - REAR - INNOVA TIRE			
	M171009	TIRE - REAR - TURF — 25 X 12-9 in ‡			
	R90796	TIRE - REAR - KNOBBY — 25 X 12-9 in †			
	M170697	TIRE - REAR - KNOBBY — 25 X 12-9 in ‡			

† CARLISLE TIRES
‡ INNOVA TIRES
(Mixing between Carlisle and Innova is not allowed, replace in complete sets)

Parts Needed in First 250 Hours of Operation

Qty	Part No.	Item	Capacity	Interval In Hours
3	AM107423	Engine Oil Filter		8/100/200
6	TY6364	1 qt Plus 4 10W30 Engine Oil	1.7 qt	8/50/100/150/200/250
1	M113621	Air Filter		200
1	AM116304	Fuel Filter		200
1	M138938	Spark Plug		200
3	TY6341	Multi-Purpose SD Polyurea Grease (14 oz)		As Needed

Frequently Used Items

Qty	Part No.	Item
1	AM131841	Key - Ignition
1	VGA10167	Filler Cap (S/N -060000)
1	AM141581	Filler Cap (S/N 060001-)
1	M174026	Belt - Drive
1	TY26183	Grease Gun