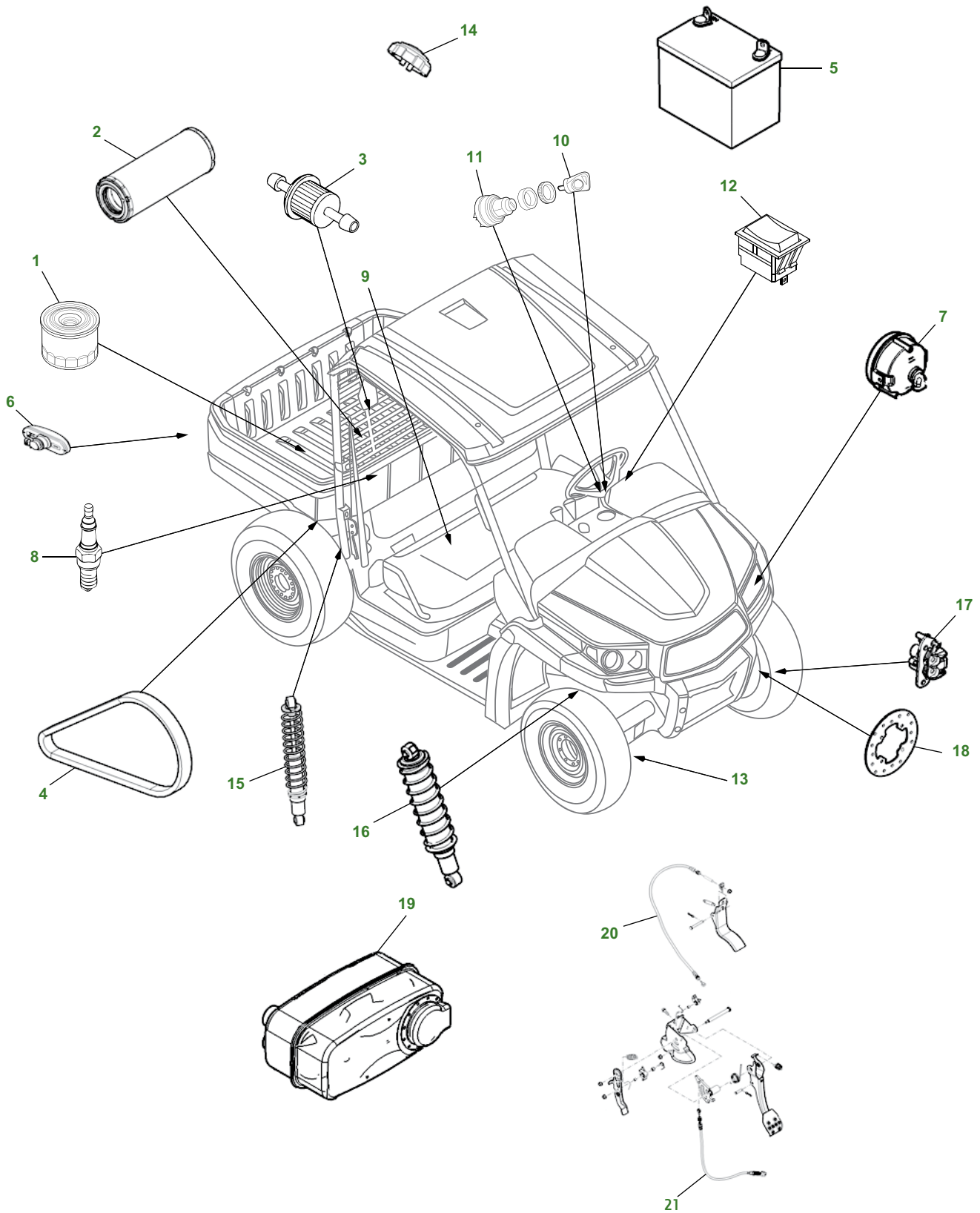


Gator RSX860i (Green & Yellow, Olive & Black, & Camo)



Gator RSX860i (Green & Yellow, Olive & Black, & Camo)

Key	Part No.	Description	Key	Part No.	Description
1	AM145365	OIL FILTER	14	AM142833	FILLER CAP
2	M170281	AIR FILTER ELEMENT	15	AM141917	SHOCK - REAR
3	AM117584	FUEL FILTER - IN LINE	16	AM141916	SHOCK - FRONT
4	M176776	BELT - CVT INLET	17	AM148331	DISK BRAKE CALIPER ASSY - R FRONT
5	TY25221	BATTERY		AM148330	DISK BRAKE CALIPER ASSY - L FRONT
6	AM140754	STOP LIGHT		AM148332	DISK BRAKE CALIPER ASSY - R REAR
7	AM140335	HEAD LIGHT BULB		AM148333	DISK BRAKE CALIPER ASSY - L REAR
8	MIU13363	SPARK PLUG		AM147009	BRAKE KIT - FRONT PAD (S/N -020000)
9	AM138194	SEAT - YELLOW		AM148144	BRAKE KIT - FRONT PAD (S/N 020001-)
	AM138195	SEAT - BLACK		AM148332	BRAKE KIT - REAR PAD - RH
	AM142132	SEAT-SPORT UTILITY		AM148333	BRAKE KIT - REAR PAD - LH
10	TCA24616	KEY	18	M166762	ROTOR
11	TCA22740	IGNITION SWITCH (19	AM144533	MUFFLER
12	AM117324	ROCKER SWITCH - HEADLIGHT	20	AM147258	CABLE - THROTTLE
13	M162539	TIRE - ANCLA FRONT (25X8-12)	21	AM145186	CABLE - PARK BRAKE
	M162540	TIRE - ANCLA REAR (25X10-12)	22	LG274	HOME MAINTENANCE KIT
	M162535	TIRE - MAXXIS BIGHORN 2.0 FRONT (26X8 -14)			
	M162536	TIRE - MAXXIS BIGHORN 2.0 REAR (26X10-14)			

Parts Needed in First 250 Hours of Operation

Qty	Part No.	Item	Capacity	Interval In Hours
3	AM145365	Engine Oil Filter		8/100/200
3	TY26664	1 gal.JD OW40 Plus 50 II Synthetic	1.5 qt	8/100/200
1	M170281	Air Filter		200
1	AM117584	Fuel Filter		200
2	MIU13363	Spark Plugs	2	200
3	TY24416	John Deere Multi-Purpose HD Lithium Complex Grease		As Needed

Capacities

Crankcase (with filter change)	3.25 L (3.4 qt.)
4WD Front Transmission	0.4—0.6 L (13.5—20 oz.)
Mid Transmission	2.2—2.6 L (2.3—2.75 qt.)
Rear Transmission	0.5—0.7 L (17—24 oz.)
Cooling system (including recover tank)	4.9 L (1.3 gal.)
TY26183	Grease Gun