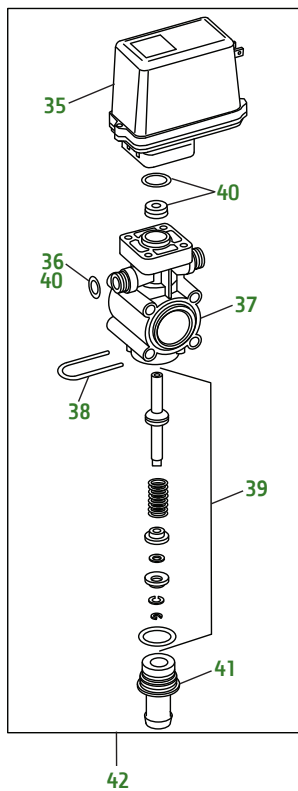
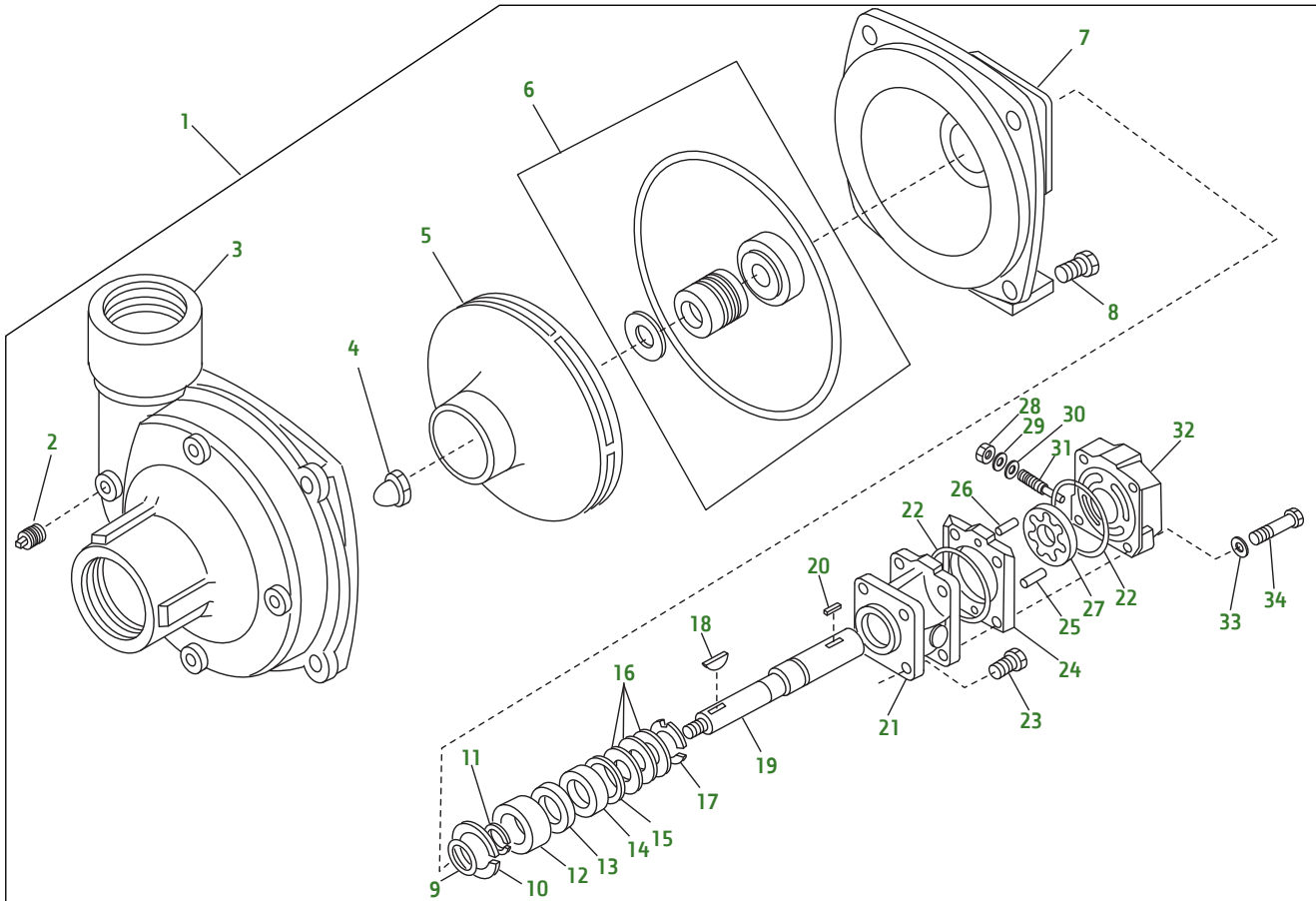


HD200 / HD300 SelectSprayer™ Series



Utility Vehicles

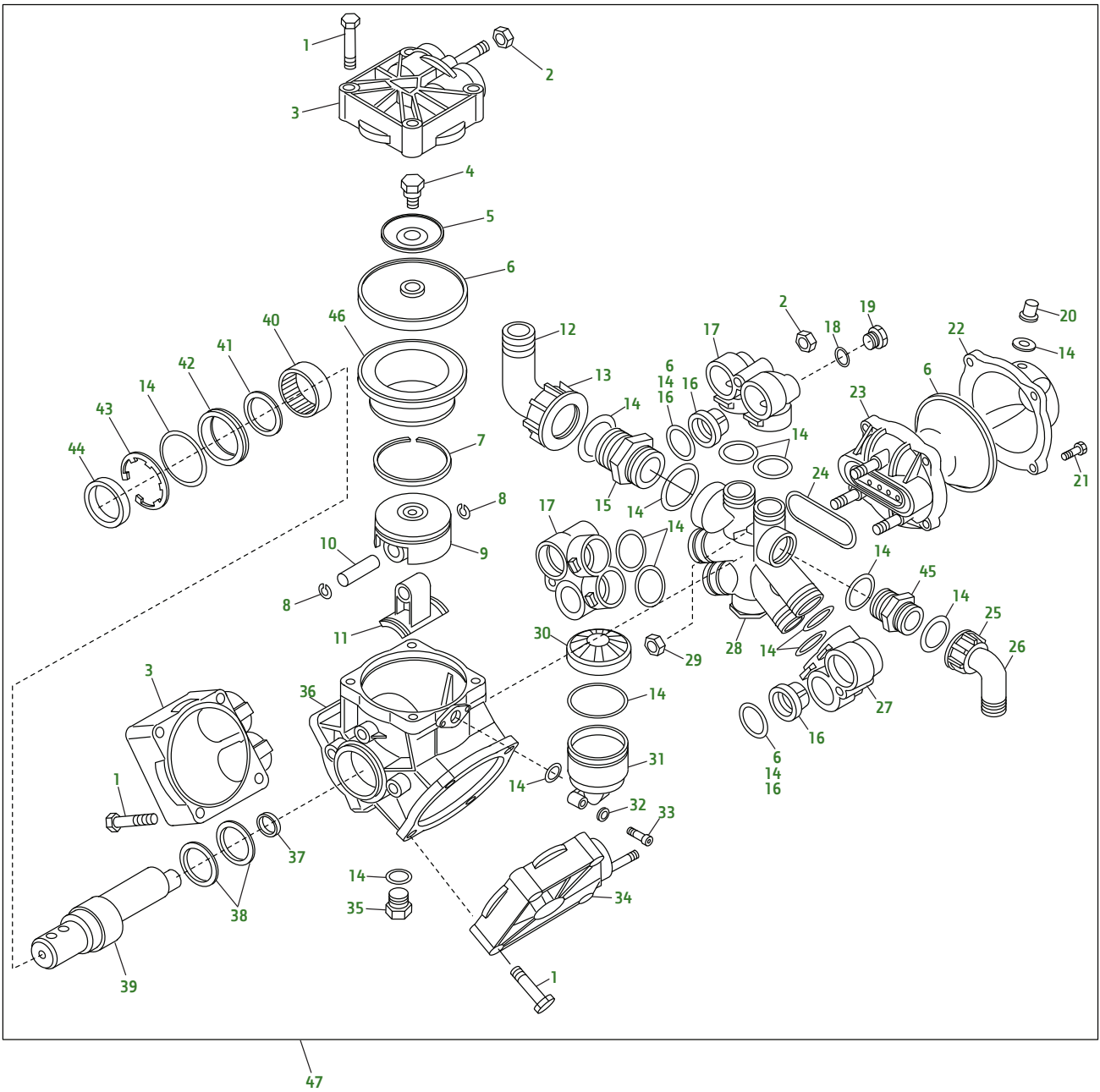
HD200 / HD300 SelectSprayer™ Series

Key	Part No.	Description	Key	Part No.	Description
1	TCA21004.....	PUMP - CAST IRON	21	AMT2348.....	CASE
	TCA21005.....	PUMP - STAINLESS STEEL	22	PM17200110.....	O-RING
2	15H638.....	PIPE PLUG (C) 1/8 in.	23	19H2127.....	CAP SCREW
	TCU17873.....	DRAIN PLUG (S)	24	MT5093.....	HOUSING
3	MT6330.....	CASE (C)	25	MT6334.....	DOWEL PIN
	TCU17874.....	CASE (S)	26	MT6335.....	DOWEL PIN
4	PM22530002.....	NUT (C) (IMPELLER REPAIR ONLY)	27	MT5100.....	ROTATOR
	TCU17875.....	NUT (S)	28	MT5124.....	LOCK NUT
5	MT4438.....	IMPELLER (C)	29	MT5103.....	WASHER
	PM04029100P.....	IMPELLER (S)	30	PM17000047.....	GASKET
	26H77.....	KEY (S)	31	PM32200029.....	STEM - BYPASS ADJUSTING
6	AN206043.....	SEAL KIT	32	AMT2349.....	PLATE HYDRAULIC MOTOR END
7	MT5050.....	FLANGE (C)	33	12H303.....	LOCK WASHER
	TCU17876.....	FLANGE (S)	34	19H3427.....	SCREW
8	19H2284.....	CAP SCREW (C)	35	TCA26171.....	MOTOR
	E70674.....	CAP SCREW (S)	36	TCU51830.....	SEAL - VALVE BODY
9	MT4440.....	RING	37	TCU27307.....	VALVE - HOUSING (S/N -055168)
10	M41029.....	SNAP RING			(USE WITH TCA19696)
11	PM18100014.....	SNAP RING	38	MT4608.....	CLIP
12	PM20000010.....	BALL BEARING	39	TCA51326.....	PLUNGER
13	PM21040005.....	SEAL	40	TCA51325.....	SEAL KIT
14	PM34300748.....	SEAL KIT	41	MT4609.....	FITTING - OUTLET
15	MT5076.....	SPACER	42	TCA19696.....	ELEC. PROPORTIONAL
16	PM20290014.....	THRUST BEARING			VALVE (S/N -055168)
17	MT5077.....	SNAP RING		TCA20665.....	ELEC. PROPORTIONAL
18	MT5086.....	SHAFT KEY			VALVE (S/N 055169-)
19	PM05312500.....	SHAFT			
20	PM16100032.....	PIN (C)	S.....		STAINLESS STEEL
	TCU17877.....	SHAFT KEY (S)	C.....		CAST IRON

Parts Needed in First 250 hours of Operation

Qty	Part No.	Item	Capacity	Interval In Hours
1	TY6333	John Deere Moly High Temp EP Grease		As Needed

HD200 / HD300 SelectSprayer™ Series



Utility Vehicles

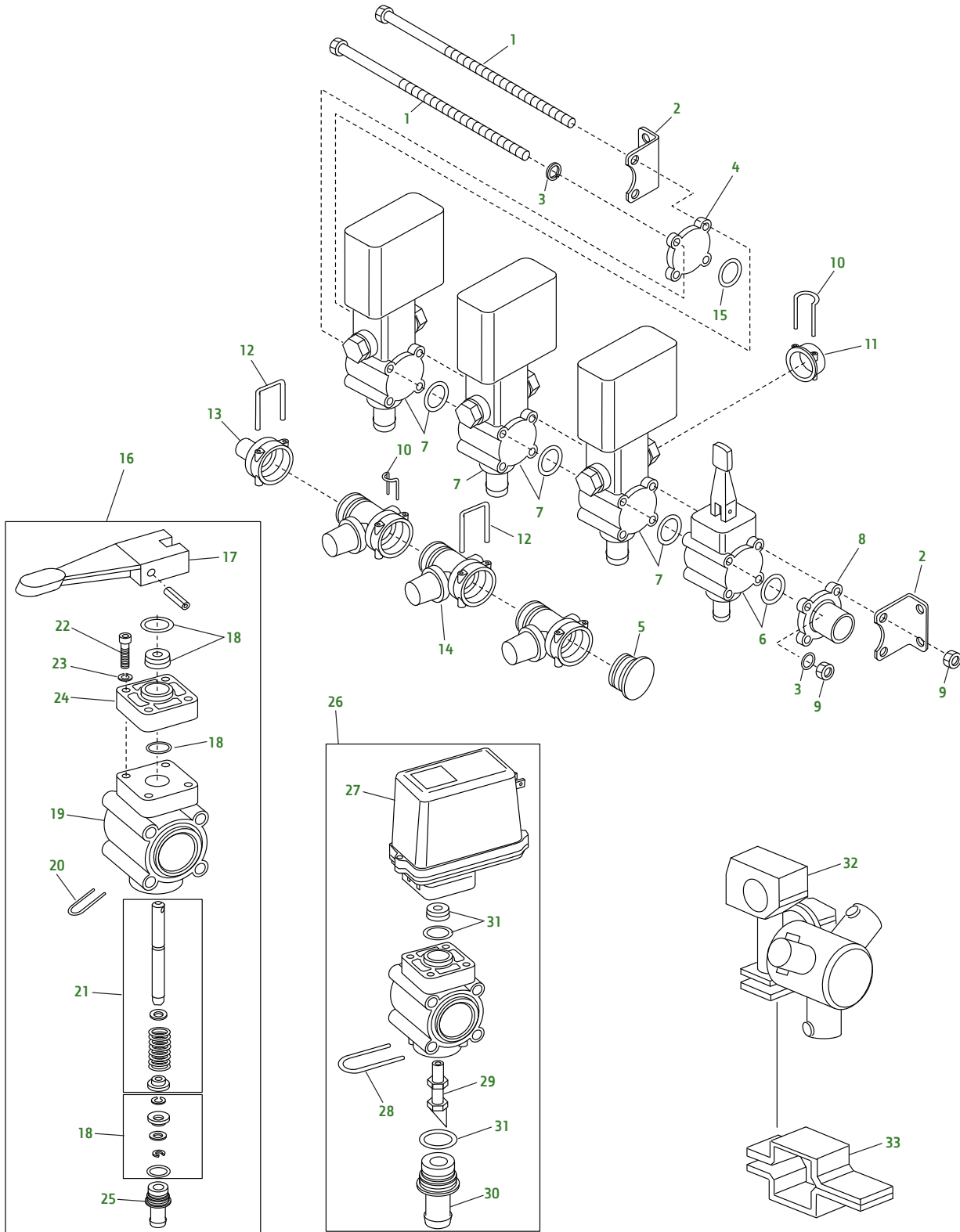
HD200 / HD300 SelectSprayer™ Series

Key	Part No.	Description	Key	Part No.	Description
1	19M7181	CAP SCREW	27	TCA19688	RETAINER, SX LEFT VALVE
2	14M7274	NUT	28	TCA19679	PUMP REPAIR KIT
3	TCA19680	PUMP REPAIR KIT	29	14M7273	NUT
4	TCU27291	BOLT	30	TCU27293	FILLER CAP, SIGHT GLASS
5	TCU27290	WASHER	31	TCU27292	RESERVOIR
6	TCA19675	DIAPHRAGM KIT	32	24M7054	WASHER
7	TCU27255	PISTON RING	33	19M8263	SCREW
8	TCU27258	RING	34	TCA19681	PUMP REPAIR KIT, SX LEFT
9	TCU27256	PISTON	35	TCU27288	DRAIN PLUG
10	TCU27257	PISTON PIN	36	TCA19678	PUMP, BODY
11	TCU27259	CONNECTING ROD	37	TCA19686	BUSHING
12	TCU27286	ELBOW FITTING	38	TCU27282	RING
13	TCU27271	O-RING	39	TCU27281	SHAFT
14	TCA19677	O-RING KIT	40	TCA19685	CYNDRICAL ROLLER BEARING
15	TCU27272	ADAPTER FITTING	41	TCU27280	SPACER
16	TCA19676	VALVE KIT	42	TCU27279	GASKET
17	TCA19687	RETAINER, DX RIGHT VALVE	43	TCU27278	RETAINER
18	TCU27268	O-RING	44	TCU27287	SEALING RING
19	TCU27289	PLUG	45	TCU27283	ADAPTER FITTING
20	TCA19684	VALVE	46	TCU27254	SLEEVE
21	19M7881	SCREW	47	TCA19660	PUMP
22	TCU27277	PNEUMATIC, ACCUMULATOR			
23	TCA19683	MAINFOLD, ACCUMULATOR			
24	TCU27275	GASKET			
25	TCU27284	NUT			
26	TCU27285	ELBOW FITTING			

Parts Needed in First 250 hours of Operation

Qty	Part No.	Item	Capacity	Interval In Hours
1	TCA19675	Diaphragm Pump Replacement Kit		Annually
3	TY6333	John Deere Moly High Temp EP Grease		As Needed

HD200 / HD300 SelectSprayer™ Series



Utility Vehicles

HD200 / HD300 SelectSprayer™ Series

Key	Part No.	Description	Key	Part No.	Description
1	19M8140	CAP SCREW (4)		TCU27178	CLIP, THROTTLE VALVE - HD200
2	TCU27303	BRACKET			(S/N 055169-) & HD300
3	24M7036	WASHER			(S/N 030089-) (3)
4	TCU27304	CAP, VALVE END (S/N -055168)	13	TCU27176	FITTING
5	TCU27301	CAP	14	TCA19695	VALVE (3)
6	AMT2249	PROCESS VALVE, MANUAL (ASSEMBLY BREAKDOWN SHOWN SEPARATELY)	15	TCU27305	O-RING
7	TCA19696	ELECTRICAL PROPORTIONAL VALVE - HD200 (S/N -055168) & HD300 (S/N -030088) (ASSEMBLY BREAKDOWN SHOWN SEPARATELY)	16	AMT2249	PROCESS VALVE, MANUAL
	TCA26145	ELECTRICAL PROPORTIONAL VALVE BOOM CONTROL - HD200 (S/N 055169-) & HD300 (S/N 030089-) (ASSEMBLY BREAKDOWN SHOWN SEPARATELY)	17	MT6385	HANDLE
8	TCU27302	CAP, VALVE BANK ADAPTER - HD200 (S/N -055168) & HD300 (S/N -030088)	18	AMT2247	SEAL KIT
	TCU29555	ADAPTER, VALVE BANK - HD200 (S/N 055169-) & HD300 (S/N 030089-)	19	MT4607	HOUSING, VALVE (SUB AMT2249)
9	14M7166	LOCK NUT	20	MT4608	CLIP
10	TCU51831	CLIP, OUTLET PORT - HD200 (S/N -055168) & HD300 (S/N -030088) (6)	21	AMT2250	KIT, VALVE PLUNGER REPAIR
	TCU51831	CLIP, OUTLET PORT - HD200 (S/N 055169-) & HD300 (S/N 030089-) (3)	22	19M9400	SCREW
11	TCU51832	PLUG (3)	23	24M7333	WASHER
12	TCU27178	CLIP, THROTTLE VALVE - HD200 (S/N -055168) & HD300 (S/N -030088) (4)	24	TCU27306	PLATE
			25	MT6386	FITTING
			26	TCA26146	VALVE
			27	TCA26172	ELECTRIC MOTOR
			28	MT4608	CLIP
			29	TCU27321	STEM
			30	TCA20857	FITTING, USE WITH TCA21506 (SUB FOR TCA19706)
			31	AMT2247	SEAL KIT
			32	PM42W7	NOZZLE SWIVEL (INCLUDES PM4DCVAE)
				PM4DCVAE	DIAPHRAGM, CHECK VALVE
			33	PM1125SS	CLAMP