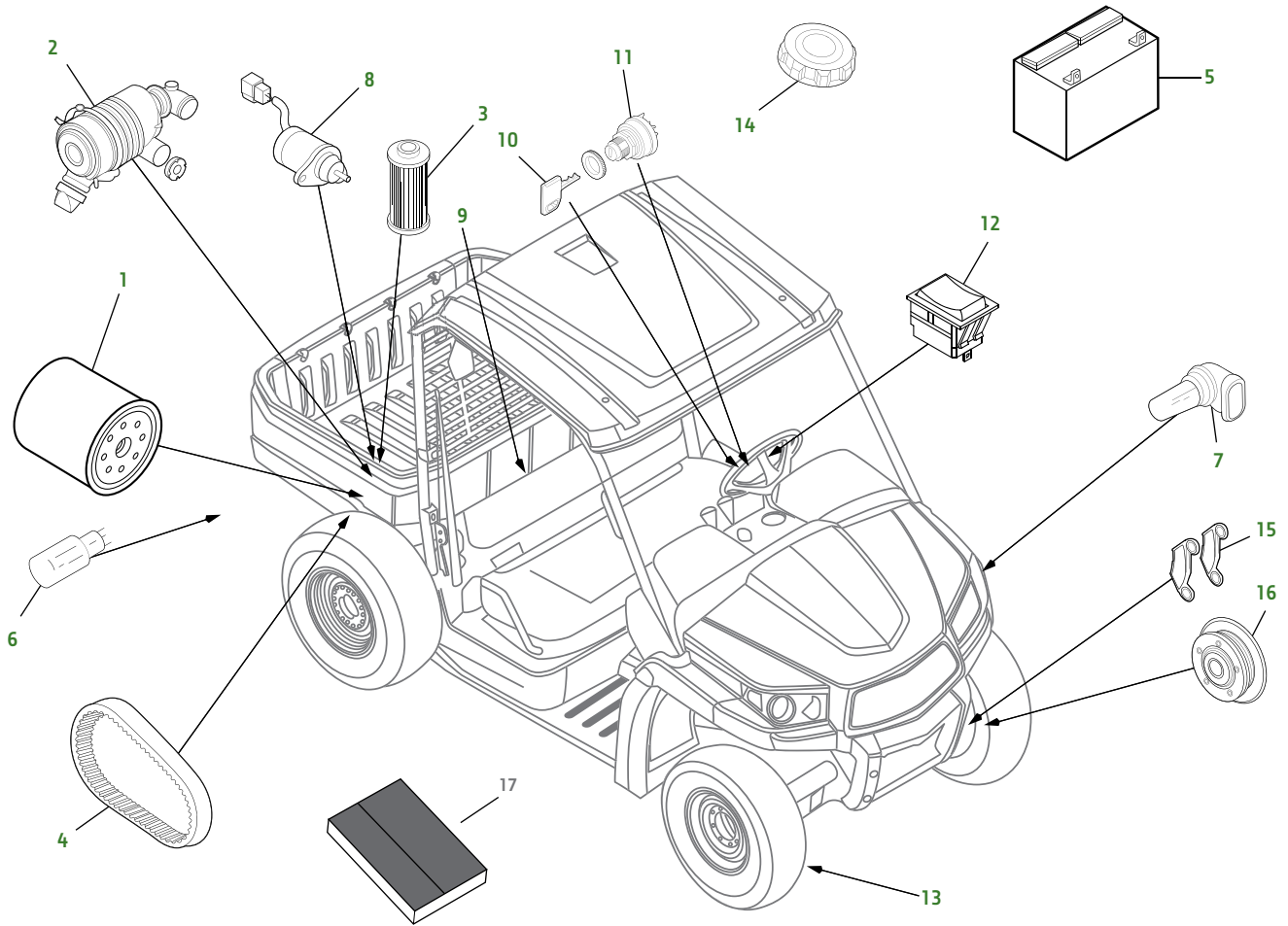


Gator XUV865E, XUV865M, XUV865R 4X4



Gator XUV865E, XUV865M, XUV865R 4X4

Key	Part No.	Description	Key	Part No.	Description
1	M806418	OIL FILTER	10	TCA24616	KEY
2	M113621	AIR FILTER ELEMENT - PRIMARY	11	TCA15075	IGNITION SWITCH
	M123378	AIR FILTER ELEMENT - SECONDARY	12	AM147340	ROCKER SWITCH - HEADLIGHT
3	M801101	FUEL FILTER ELEMENT	13	M177842	TIRE - FRONT — 26 X 9-12 in
4	M174096	BELT - DRIVE		M177843	TIRE - REAR — 26 X 11-12 in
	MIU800679	BELT - FAN		M177846	TIRE - FRONT - 6 PLY 25 X 9-12 in
5	TY25881	BATTERY		M177847	TIRE - REAR - 6 PLY 25 X 11-12 in
6	R133302	BULB - BRAKE LIGHT		M177844	TIRE - REAR — 27 X 9-14 in
	RE49778	BULB - FRONT AMBER		M177845	TIRE - REAR — 27 X 11-14 in
7	AXE16948	BULB HEADLIGHT - XUV835E/M	14	AM147815	FILLER CAP
	AM146908	BULB HEADLIGHT - LED XUV835R	15	AM147009	BRAKE PAD - FRONT
8	M806808	FUEL SHUTOFF SOLENOID		AM147010	BRAKE PAD - REAR
9	AM146335	DRIVERS SEAT - YELLOW	16	AM142949	ROTOR
	AM146336	SEAT BOTTOM - YELLOW	17	M177743	CABIN FILTER (HVAC)
	AM147196	SEAT BACK - YELLOW	18	LG260	HOME MAINTENANCE KIT
	AM146640	DRIVERS SEAT - BLACK			
	AM146641	SEAT BOTTOM - BLACK			
	AM147611	SEAT BACK - BLACK			
	AM138194	SEAT BUCKET - YELLOW			
	AM138195	SEAT BUCKET - BLACK			
	AM144196	SEAT - SPORT			
	AM147708	DRIVERS SEAT - XUV865R			
	AM147707	SEAT BOTTOM - XUV865R			
	AM147704	SEAT BACK - XUV865R			

Parts Needed in First 250 Hours of Operation

Qty	Part No.	Item	Capacity	Interval In Hours
2	M806418	Engine Oil Filter		50/200
1	TY22061	Torq-Gard Supreme Plus-50 Oil	1.8 qt	50/200
3	TY6341	Multi-Purpose SD Polyurea Grease (14 oz)		As Needed
1	M801101	Fuel Filter		200

Capacities

Crankcase (with filter)	1.7 L (1.8 qt)
4WD Front Differential	0.66 L (22.3 oz)
Transaxle	4.1 L (4.3 qt)
Cooling System (including recovery tank)	4.9 L (5.2 qt)
Brake	.364 mL (12.3 oz)
Park Brake	.50 mL (1.7 oz)