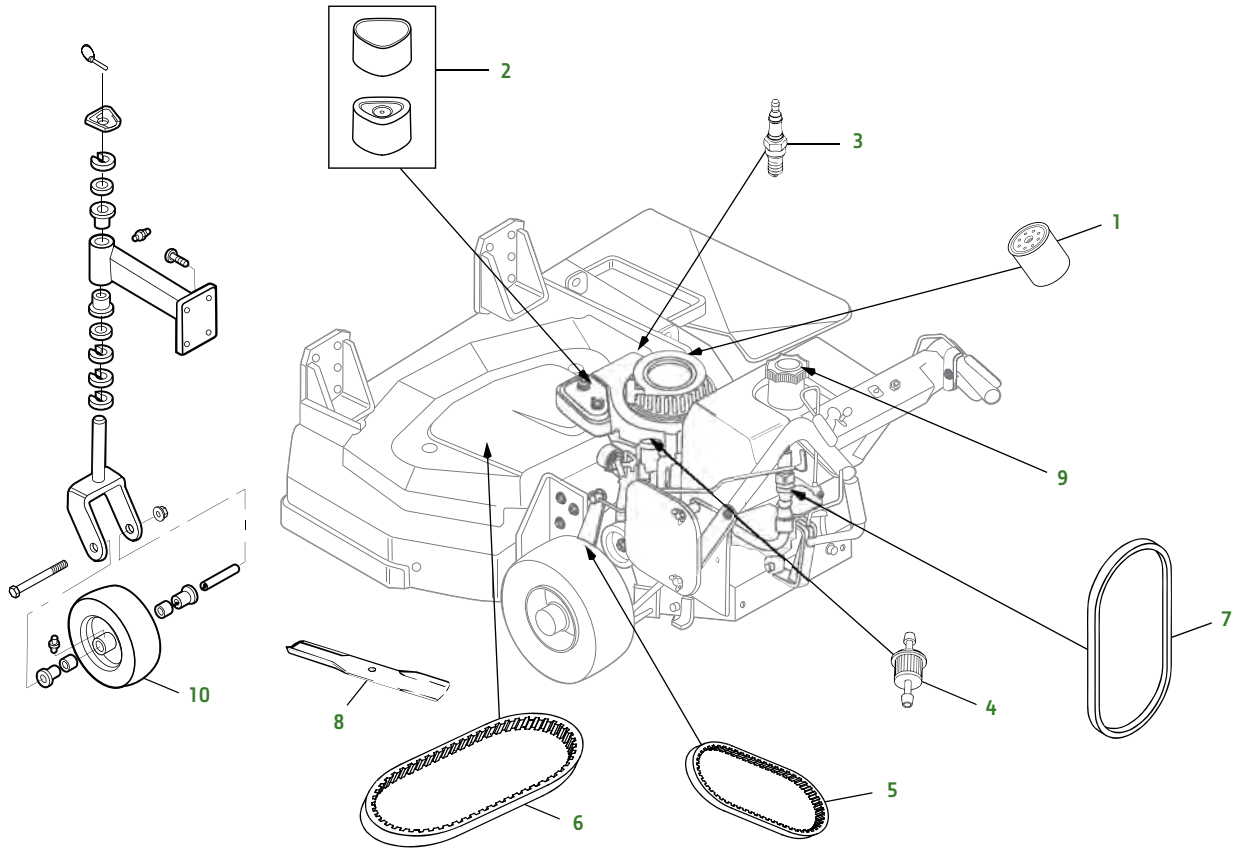


# G15



Key	Part No.	Description	Key	Part No.	Description
1	AM125424	ENGINE OIL FILTER	7	M122906	BELT - ENGINE TO TRANSMISSION
2	GY20661	AIR FILTER		M122907	BELT - LEFT OR RIGHT DRIVE WHEEL
3	M78543	SPARK PLUG	8	M122455	BLADE
4	AM116304	FUEL FILTER	8	M122467	BLADE - MULCH
5	M122106	V-BELT - PRIMARY	9	AM115497	FILLER CAP
6	M122107	SYNCHRONOUS BELT - BLADE TO BLADE	10	AM121814	TIRE & WHEEL ASSEMBLY

### Parts Needed in First 250 Hours of Operation

Qty	Part No.	Item	Capacity	Interval In Hours
2	AM125424	Engine Oil Filter		25/200
6	TY6364	1 qt Plus 4 10W30 Engine Oil	2.0 qt	25/100/200
1	GY20661	Air Filter		100/200
3	TY6341	Multi-Purpose SD Polyurea Grease (14 oz)		As Needed

### Frequently Used Items

Qty	Part No.	Item
1	GY20661	Air Filter
1	AM116304	Fuel Filter
1	M78543	Spark Plug
1	AM115497	Filler Cap
1	AM130907	Mower Deck Leveling Gauge
1	TY26183	Grease Gun
2	M122455	Mower Blades
2	M122467	Mower Blades - Mulch
1	M122106	Belt - Primary
1	M122107	Synchronous Belt - Blade to Blade
1	M122906	Belt - Engine to Transmission
1	M122907	Belt - Left or Right Drive Wheel