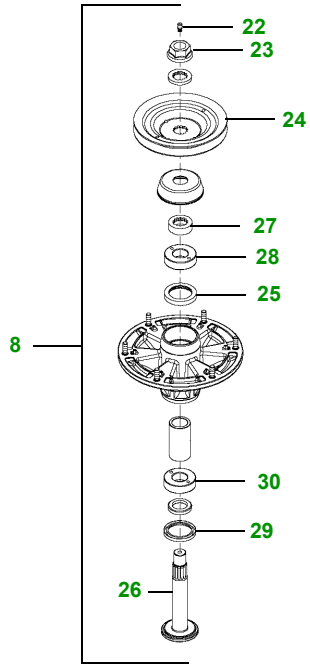
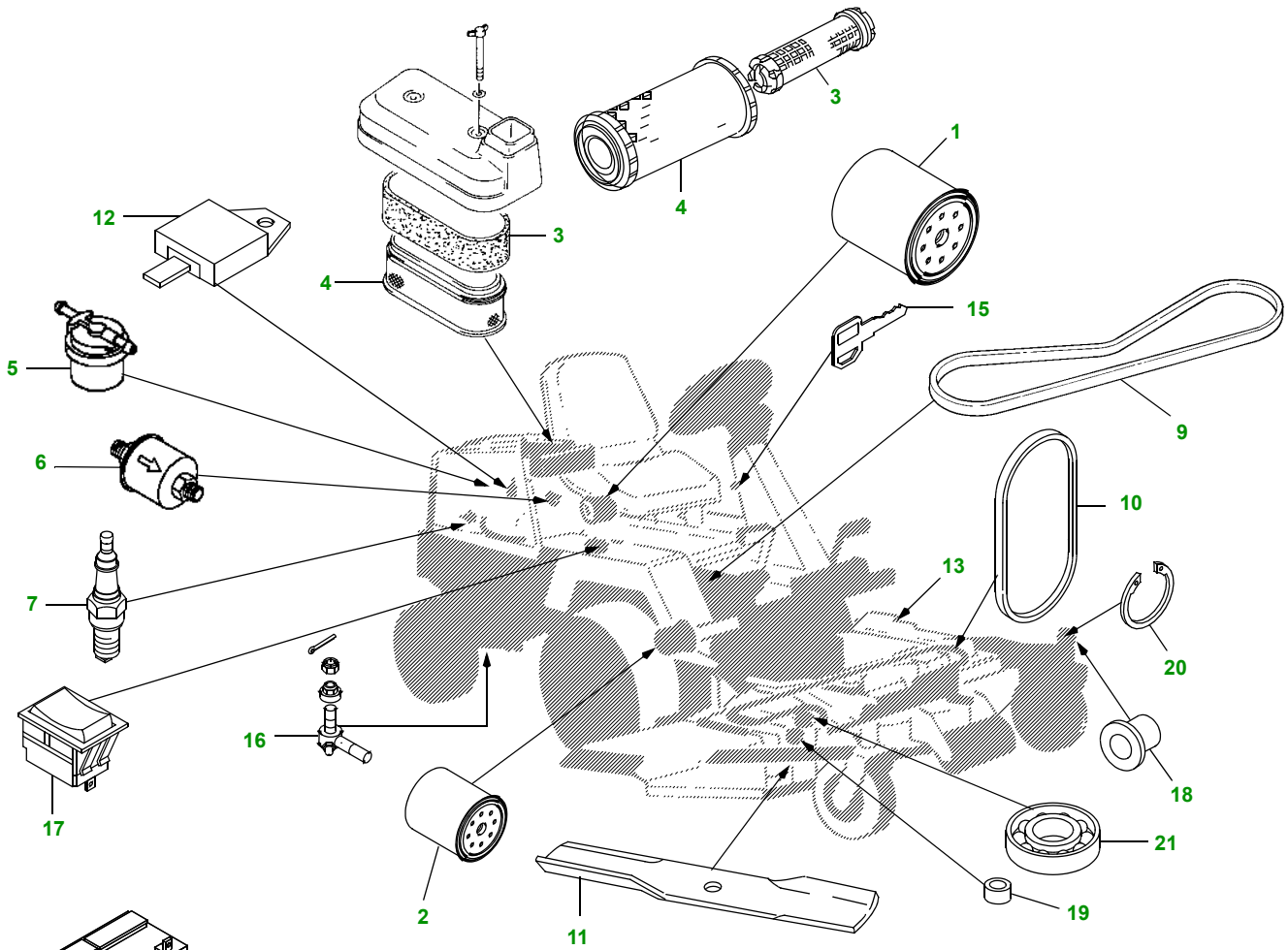
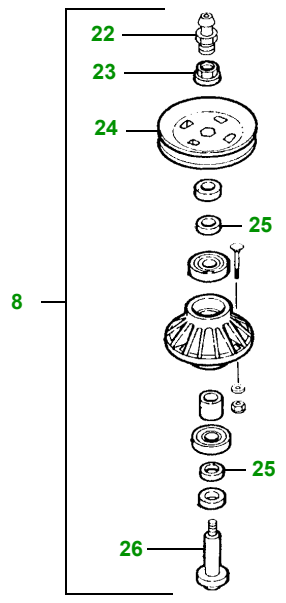


F725 / F735



60" Spindle Assy



48" and 54" Spindle Assy

key	part no.	description	key	part no.	description
1	AM107423	ENGINE OIL FILTER (F725)	12	AM131398	IGNITER (F725)
	M806418	ENGINE OIL FILTER (F735)	13	AM115488	GAUGE WHEEL (ALSO ORDER M11490 & M111491 BUSHINGS)
2	AM103027	TRANSMISSION FILTER	14	TY6192	BATTERY (F725)
3	M70127	AIR FILTER - FOAM (F725)		TY25881	BATTERY (F735)
	M123378	AIR FILTER - SEC (F735)	15	AM131841	KEY
4	MIU10778	AIR FILTER PAPER (F725)	16	TCA51009	BALL JOINT (LH)
	M137393	AIR FILTER - PRI (F735)		TCA51008	BALL JOINT (RH)
5	AM116304	FUEL FILTER (F725)	17	AM118804	ROCKER SWITCH
	M807152	FUEL FILTER (F735)	18	M83541	BUSHING (CASTER WHEEL)
6	AM120916	FILTER - HYDRAULIC	19	M111358	IDLER SHEAVE BUSHING
7	M71939	SPARK PLUG (ENG FD590V-AS03, BS03, CS03, DS03) (F725)	20	W23122	SNAP RING (CASTER WHEEL)
	M802138	SPARK PLUG (ENG FS590-ES03) (F725)	21	JD8535	BALL BEARING (IDLER)
8	AM121342	SPINDLE ASSEMBLY (48" & 54")	22	JD7849	LUBRICATION FITTING (48" & 54")
	TCA13807	SPINDLE ASSEMBLY (60")	23	M110013	FLANGE NUT (48" & 54")
9	M75353	BELT - TRACTION DRIVE(F725)		M123569	FLANGE NUT (60")
	M139011	BELT - TRACTION DRIVE (F735)	24	M110015	SHEAVE (48" & 54")
	AM108054	BELT - PTO (F725)		TCU15036	PULLEY (60")
10	M111564	MOWER BELT (48")	25	ET15755	SEAL (48" & 54")
	M111534	MOWER BELT (54")		M85699	SEAL (60")
	M133184	MOWER BELT (60")	26	M122465	SPINDLE (48" & 54")
11	M115495	BLADE - STD (48")		M134382	SPINDLE (60")
	M135589	BLADE - HIGH LIFT (48")	27	M125913	BUSHING (60")
	M113517	BLADE - MULCHING (48")	28	M88251	BALL BEARING (60")
	M115496	BLADE- STD (54")	29	M127198	SEAL (60")
	M135590	BLADE- HIGH LIFT(54")			
	M113518	MULCHING BLADE (54")			

Parts Needed in First 250 hours of Operation

F725				
Qty	Part No	Item	Capacity	Interval In Hours
3	AM107423	Engine Oil Filter - 725		10/100/200
1	TY22061	2 1/2 gal Plus 50 15W40 Engine Oil	2.1qt	10/100/200
1	AM103027	Transmission Oil Filter		50
1	TY6354	1 gal Hy-Gard Trans. Fluid	2.5 qt	50
2	M71939	Spark Plug (Engines FD590V-AS03, BS03, CS03, DS03)		200
2	M802138	Spark Plug (Engines FS590-ES03)		200
3	TY6341	Multi Purpose SD Polyurea Grease (14 oz)		As Needed
F735				
Qty	Part No	Item	Capacity	Interval In Hours
2	M806418	Engine Oil Filter - 735		50/200
1	TY22061	2 1/2 gal Plus 50 15W40 Engine Oil	2.0qt	50/200
1	AM120916	In-Line Hydraulic Filter		50
1	AM103027	Transmission Oil Filter		50
2	TY6354	1 gal Hy-Gard Trans. Fluid	1.2 gal	50
1	M137393	Air Filter - Primary		200
1	M123378	Air Filter - Secondary		200
3	TY6341	Multi Purpose SD Polyurea Grease (14 oz)		As Needed

"As Needed" Parts

Qty	Part Number	Item	Qty	Part Number	Item
1	M70127	Air Filter - Foam - F725	3	M115495	Blade - Std (48")
1	MIU10778	Air Filter - Paper - F725	3	M135589	Blade - High Lift (48")
1	M137393	Air Filter - Primary - F735	3	M113517	Blade - Mulching (48")
1	M123378	Air Filter - Secondary - F735	3	M115496	Blade - Std (54")
1	AM116304	Fuel Filter - F725	3	M135590	Blade - High Lift (54")
1	M807152	Fuel Filter - F735	3	M113518	Blade - Mulching (54")
2	TY25081	1 gal Cool-Gard Prediluted - Cap 4.1 qt	3	TCU15881	Blade -High Lift (Std) (60")
1	M75353	Belt - Traction Drive - 725	3	M128485	Blade -Med Lift (Optional) (60")
1	AM108054	Belt - PTO - F725	3	M133381	Blade -Low Lift (Optional) (60")
1	M139011	Belt - Traction Drive - 735	1	AM131841	Key
1	M111564	Belt - Mower (48")	1	AM108168	Filler Cap - F735
1	M111534	Belt - Mower (54")	1	AM108138	Filler Cap - F725
1	M133184	Belt - Mower (60")	1	AM130907	Mower Deck Leveling Gauge
			1	TY26183	Grease Gun