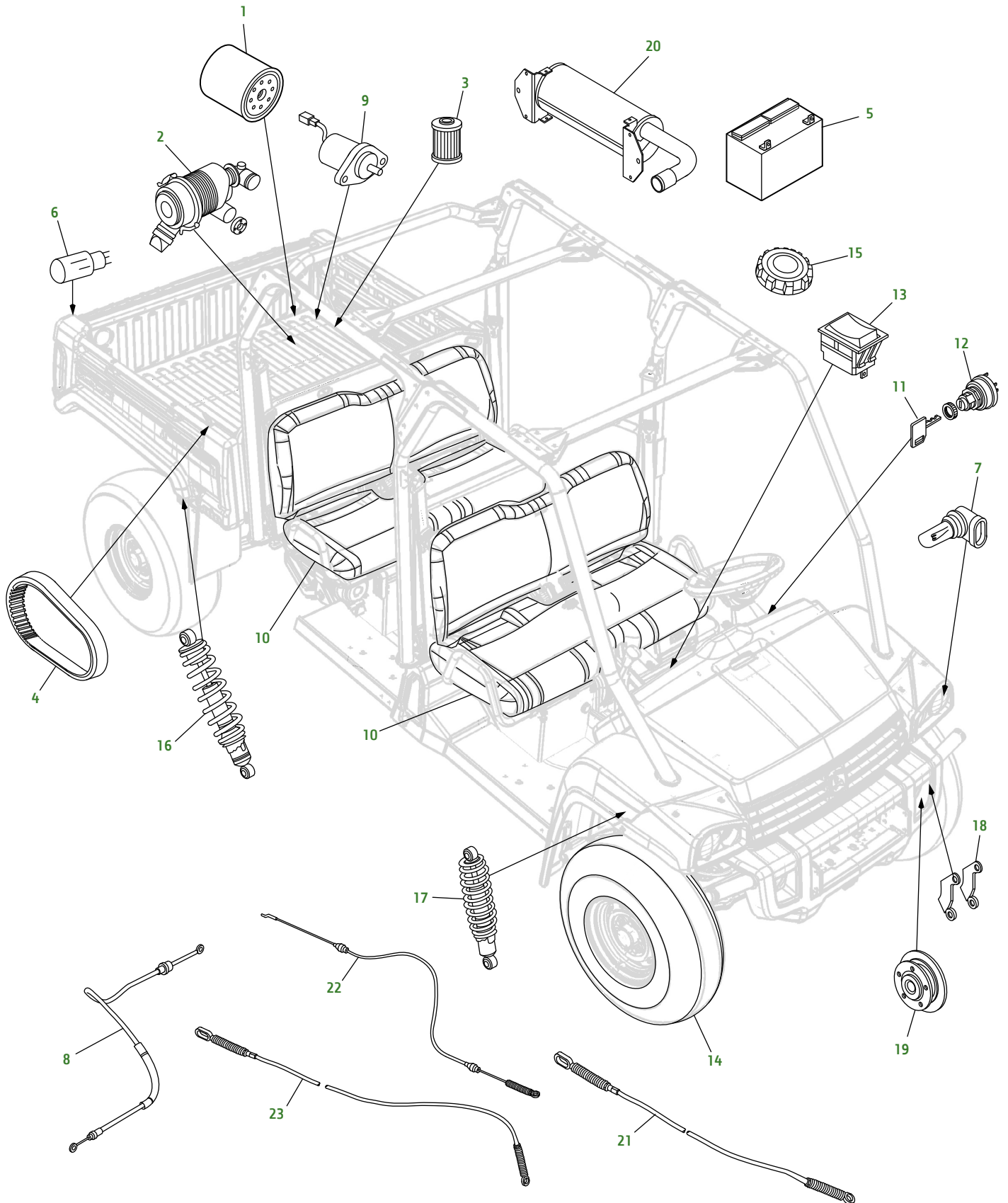


Gator 855D S4 XUV 4X4 (Camo, Green & Yellow, Olive & Black)

Utility Vehicles



Gator 855D S4 XUV 4X4 (Camo, Green & Yellow, Olive & Black)

| Key | Part No. | Description | Key | Part No. | Description |
|-----|---------------------------|----------------------------------|-----|--------------------------|---|
| 1 | M806418 | OIL FILTER | 10 | AM142362 | SEAT - REAR BACK - YELLOW |
| 2 | M113621 | AIR FILTER ELEMENT - PRIMARY | | AM142364 | SEAT - REAR BACK - BLACK |
| | M123378 | AIR FILTER ELEMENT - SECONDARY | | AM142363 | SEAT - REAR BOTTOM - YELLOW |
| 3 | M801101 | FUEL FILTER ELEMENT | | AM142365 | SEAT - REAR BOTTOM - BLACK |
| 4 | M174096 | BELT - DRIVE | 11 | AM131841 | KEY |
| | MIU800679 | BELT - FAN | 12 | TCA22740 | IGNITION SWITCH |
| 5 | TY25881 | BATTERY | 13 | VGA10925 | ROCKER SWITCH - HEADLIGHT |
| 6 | R133302 | BULB - DUAL FILAMENT | 14 | M158358 | TIRE - FRONT - ALL PURPOSE — 25 X 9-12 in |
| | R133301 | BULB - SINGLE FILAMENT | | M168567 | TIRE - REAR - ALL PURPOSE — 25 X 11-12 in |
| | 57M10180 | BULB - FRONT AMBER | 15 | AM146278 | FILLER CAP |
| 7 | AXE16948 | BULB - HEADLIGHT (S/N - 080000) | 16 | AM142276 | SHOCK - REAR |
| | AM144882 | BULB - HEADLIGHT (S/N - 080001-) | 17 | AM142426 | SHOCK - FRONT |
| 8 | AM144021 | CABLE - PARK BRAKE (S/N -060000) | 18 | AM140607 | BRAKE KIT - FRONT - INCLUDES 4 PADS |
| | AM144526 | CABLE - PARK BRAKE (S/N 060001-) | | AM141182 | BRAKE KIT - REAR - INCLUDES 4 PADS |
| 9 | M806808 | FUEL SHUTOFF SOLENOID | 19 | AM142949 | ROTOR |
| 10 | AM138194 | SEAT - YELLOW — 21" | 20 | AM140802 | MUFFLER |
| | AM138195 | SEAT - BLACK — 21" | | M811809 | GASKET |
| | AM144196 | SEAT - HIGH BACK SPORT -BLACK | 21 | AM142115 | CABLE - THROTTLE |
| | AM140623 | SEAT - FRONT BENCH - YELLOW | 22 | AM142114 | CABLE - DIFFERENTIAL LOCK |
| | AM140945 | SEAT - FRONT BENCH - BLACK | 23 | AM142113 | CABLE - DIFFERENTIAL INTERLOCK |
| | AM140624 | SEAT - FRONT BOTTOM - YELLOW | 24 | LG260 | HOME MAINTENANCE KITS |
| | AM140946 | SEAT - FRONT BOTTOM - BLACK | | | |

Parts Needed in First 250 Hours of Operation

| Qty | Part No. | Item | Capacity | Interval In Hours |
|-----|-------------------------|--|----------|-------------------|
| 2 | M806418 | Engine Oil Filter | | 50/200 |
| 1 | TY22061 | Torq-Gard Supreme Plus-50 Oil | 1.8 qt | 50/200 |
| 3 | TY6341 | Multi-Purpose SD Polyurea Grease (14 oz) | | As Needed |

Frequently Used Items

| Qty | Part No. | Item |
|-----|---------------------------|------------------------|
| 1 | M113621 | Air Filter - Primary |
| 1 | M123378 | Air Filter - Secondary |
| 1 | M801101 | Fuel Filter |
| 1 | M174096 | Belt - Drive (4WD) |
| 1 | MIU800679 | Belt - Fan |
| 1 | AM131841 | Key |
| 1 | AM146278 | Filler Cap |
| 1 | TY26183 | Grease Gun |