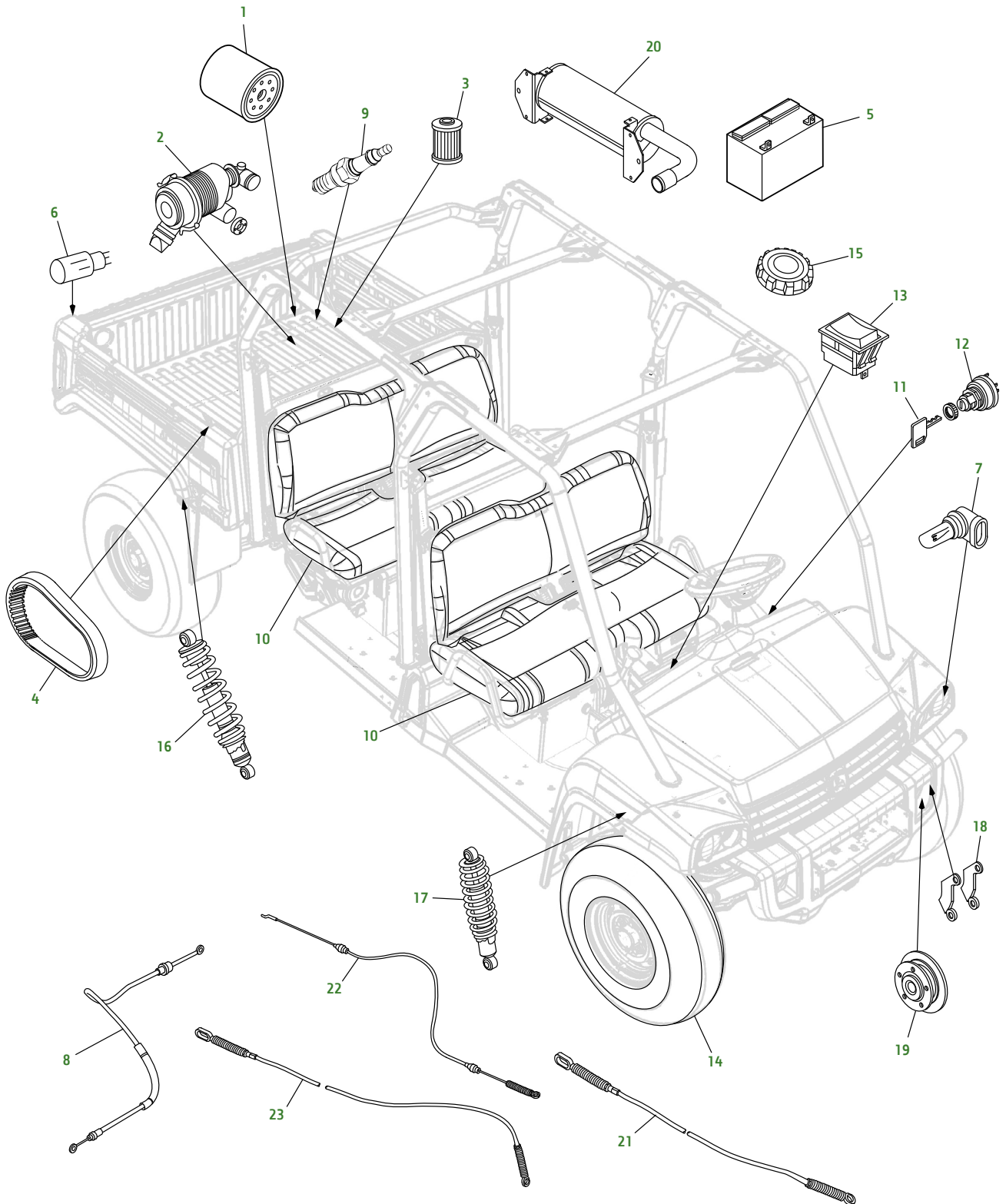


# Gator 825i XUV S4 4X4 (Camo, Green & Yellow, Olive & Black)



## Gator 825i XUV S4 4X4 (Camo, Green &amp; Yellow, Olive &amp; Black)

Key	Part No.	Description	Key	Part No.	Description
1	<a href="#">AM107423</a>	OIL FILTER	10	<a href="#">AM142362</a>	SEAT - REAR BACK - YELLOW
2	<a href="#">M113621</a>	AIR FILTER ELEMENT - PRIMARY		<a href="#">AM142364</a>	SEAT - REAR BACK - BLACK
	<a href="#">M123378</a>	AIR FILTER ELEMENT - SECONDARY		<a href="#">AM142363</a>	SEAT - REAR BOTTOM - YELLOW
3	<a href="#">AM117584</a>	FUEL FILTER - IN LINE		<a href="#">AM142365</a>	SEAT - REAR BOTTOM - BLACK
4	<a href="#">M174096</a>	BELT - DRIVE	11	<a href="#">AM131841</a>	KEY
	<a href="#">MIU13191</a>	BELT - ALTERNATOR (S/N -060000)	12	<a href="#">TCA22740</a>	IGNITION SWITCH
	<a href="#">MIU13962</a>	BELT - ALTERNATOR (S/N 060001-)	13	<a href="#">A117324</a>	ROCKER SWITCH - HEADLIGHT
	<a href="#">MIU12499</a>	BELT - TIMING	14	<a href="#">M158358</a>	TIRE - FRONT — 25 X 9 -12 in
5	<a href="#">TY25881</a>	BATTERY		<a href="#">M168567</a>	TIRE - REAR — 25 X 11-12 in
6	<a href="#">57M10180</a>	BULB - FRONT AMBER	15	<a href="#">VGA10167</a>	FILLER CAP (S/N -100144)
	<a href="#">R133301</a>	BULB - TAIL LIGHT		<a href="#">AM146138</a>	FILLER CAP (S/N 100145-)
	<a href="#">R133302</a>	BULB - BRAKE LIGHT	16	<a href="#">AM142276</a>	SHOCK - REAR
	<a href="#">AM133169</a>	BULB - FRONT TURN SIGNAL	17	<a href="#">AM142426</a>	SHOCK - FRONT
7	<a href="#">AXE16948</a>	BULB -HEADLIGHT (S/N - 080000)	18	<a href="#">AM143852</a>	BRAKE KIT-FRONT-INCLUDES 4 PADS (S/N -110000)
	<a href="#">AM144882</a>	BULB - HEADLIGHT (S/N 080001-)		<a href="#">AM147256</a>	BRAKE KIT-FRONT-INCLUDES 4 PADS (S/N 110001-)
8	<a href="#">AM144021</a>	CABLE - PARK BRAKE (S/N -060000)	19	<a href="#">AM142949</a>	ROTOR
	<a href="#">AM144526</a>	CABLE - PARK BRAKE (S/N 060001-)	20	<a href="#">AM140438</a>	MUFFLER
9	<a href="#">MIU12783</a>	SPARK PLUG		<a href="#">MIU13126</a>	GASKET
10	<a href="#">AM138194</a>	SEAT - YELLOW — 21"		<a href="#">AM140659</a>	MUFFLER - SPORT
	<a href="#">AM138195</a>	SEAT - BLACK — 21"	21	<a href="#">AM144985</a>	CABLE - THROTTLE
	<a href="#">AM144196</a>	SEAT - HIGH BACK SPORT -BLACK	22	<a href="#">AM142114</a>	CABLE - DIFFERENTIAL LOCK
	<a href="#">AM140623</a>	SEAT - FRONT BACK - YELLOW	23	<a href="#">AM142113</a>	CABLE - DIFFERENTIAL INTERLOCK
	<a href="#">AM140945</a>	SEAT - FRONT BACK - BLACK	24	<a href="#">LG270</a>	HOME MAINTENANCE KIT
	<a href="#">AM140624</a>	SEAT - FRONT BOTTOM - YELLOW			
	<a href="#">AM140946</a>	SEAT - FRONT BACK - BLACK			

## Parts Needed in First 250 Hours of Operation

Qty	Part No.	Item	Capacity	Interval In Hours
3	<a href="#">AM107423</a>	Engine Oil Filter		8/100/200
5	<a href="#">TY6364</a>	1 qt Plus 4 10W30 Engine Oil	2.3 qt	8/100/200
1	<a href="#">M113621</a>	Air Filter		200
1	<a href="#">AM117584</a>	Fuel Filter		200
3	<a href="#">TY6341</a>	Multi-Purpose SD Polyurea Grease (14 oz)		As Needed

## Frequently Used Items

Qty	Part No.	Item
1	<a href="#">M113621</a>	Air Cleaner
1	<a href="#">AM117584</a>	Fuel Filter
3	<a href="#">MIU12783</a>	Spark Plug
1	<a href="#">M174096</a>	Belt - Drive
1	<a href="#">MIU13191</a>	Belt - Alternator - (SN -060000)
1	<a href="#">MIU13962</a>	Belt - Alternator - (SN 060001-)
1	<a href="#">MIU12499</a>	Belt - Timing
1	<a href="#">AM131841</a>	Key
1	<a href="#">VGA10167</a>	Filler Cap - (S/N -100144)
1	<a href="#">AM146138</a>	Filler Cap - (S/N 100145-)
1	<a href="#">TY26183</a>	Grease Gun