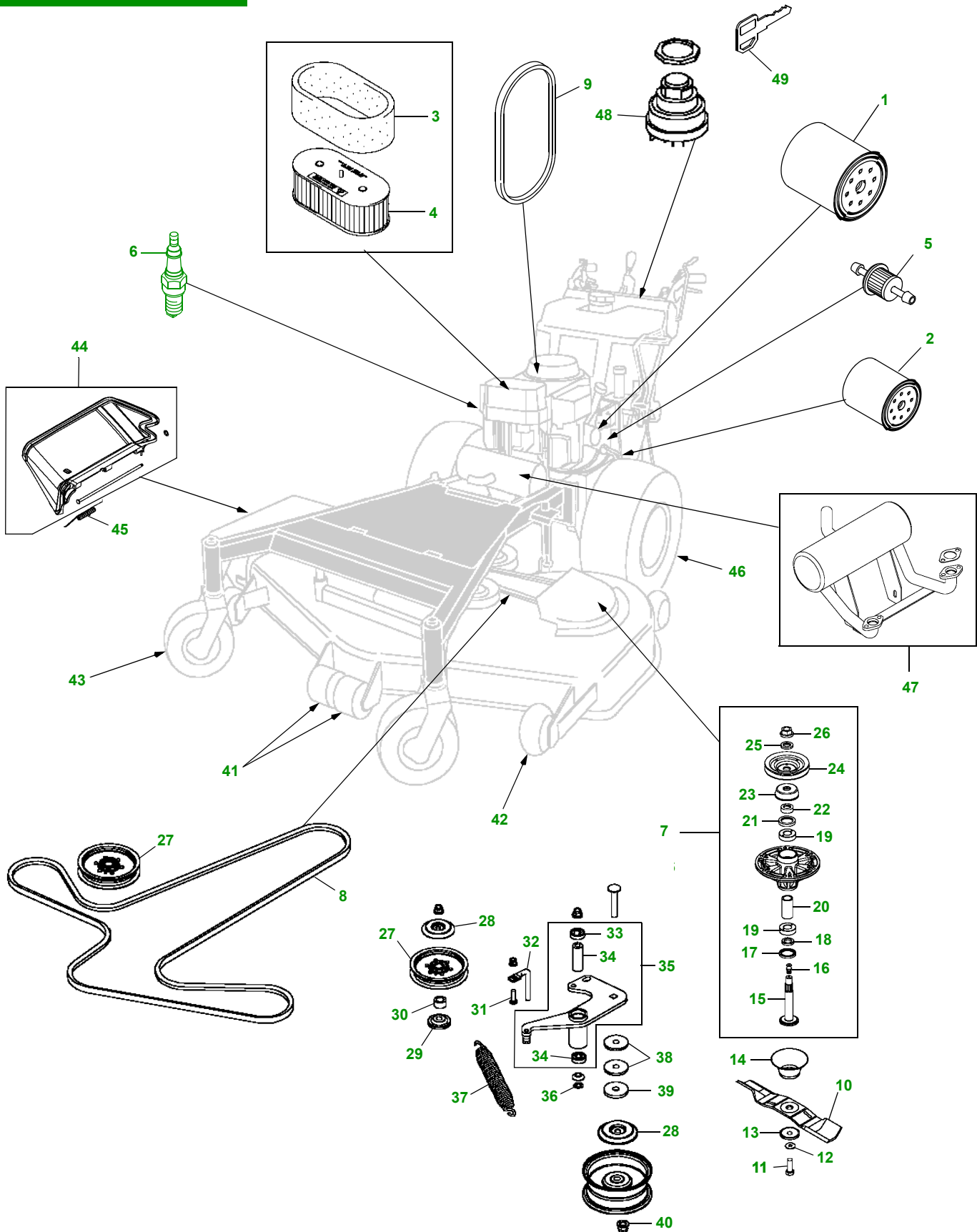


7H17 / 7H19



key	part no.	description	key	part no.	description
1	AM107423	ENGINE OIL FILTER		TCU19153	SHEAVE - LH
2	M131053	FILTER - HYDRO	25	M127353	BUSHING
3	M151768	AIR FILTER - FOAM	26	M123569	FLANGE NUT
4	M151769	AIR FILTER - PAPER	27	TCA17524	IDLER
5	AM116304	FUEL FILTER	28	M133598	SHIELD
6	M802138	SPARK PLUG	29	M132309	SPACER
7	TCA13604	SPINDLE - RH AND MIDDLE	30	TCU17020	BUSHING
	TCA15397	SPINDLE - LH	31	19M7163	BOLT
8	TCU17942	V-BELT - 48 IN	32	M125461	GUIDE
	TCU17414	V-BELT - 54 IN	33	AT23189	BALL BEARING
9	TCU17417	V-BELT - ENGINE TO TRANSMISSION	34	TCU19152	SPACER
10	TCU14939	BLADE - HIGH LIFT (48 IN)	35	TCA15830	ARM
	M144652	BLADE - HIGH LIFT (54 IN)	36	H141123	PUSH NUT
	M136185	MULCHING BLADE (48 IN)	37	TCU16582	EXTENSION SPRING
	M135334	MULCHING BLADE (54 IN)	38	24H1900	WASHER
11	19M7489	CAP SCREW	39	M132309	SPACER
12	M123520	WASHER	40	14M7401	LOCK NUT
13	M123522	WASHER	41	M115245	ROLLER
14	M134305	DEFLECTOR	42	AM133602	WHEEL
15	M134382	SPINDLE	43	TCU13109	TIRE
16	JD7849	LUBRICATION FITTING	44	TCA16388	KIT - DISCHARGE CHUTE (INCLUDES LABELS)
17	M127198	SEAL	45	M132768	TORSION SPRING
18	M133398	BUSHING	46	TCU19101	TIRE
19	M88251	BALL BEARING	47	TCA14775	MUFFLER
20	M127517	SPACER		M136651	GASKET
21	M85699	SEAL	48	AM38227	IGNITION SWITCH
22	M125913	BUSHING	49	M40718	IGNITION KEY
23	M123581	DEFLECTOR			
24	TCU15544	SHEAVE - RH AND MIDDLE			

Parts Needed in First 250 hours of Operation

Qty	Part No	Item	Capacity	Interval In Hours
3	AM107423	Engine Oil Filter		25/100/200
6	TY6364	1 qt Plus 4 10W30 Engine Oil	1.7 qt	25/100/200
1	AM39653	Transmission Filter		25
1	TY22061	2 1/2 Gal Plus 50 15W40 Transmission Oil	2.0gal	50
1	M151769	Air Filter - Paper		200
3	TY6341	Multi Purpose SD Polyurea Grease (14 oz)		As Needed

"As Needed" Parts

Qty	Part Number	Item
1	M132439	Air Filter - Foam
1	AM116304	Fuel Filter
2	M802138	Spark Plugs
1	TCU17417	Belt - Engine to Transmission
1	AM115497	Filler Cap
1	M40718	Ignition Key
1	AM130907	Mower Deck Leveling Gauge
1	TY26183	Grease Gun
2	TCA13604	Spindle - RH and Middle
1	TCA15397	Spindle - LH
3	TCU14939	Blade - High Lift 48 in
3	M136185	Blade - Mulching 48 in
3	TCU17414	Blade - High Lift 54 in
3	TCU17942	Blade - Mulching 54 in
1	M136819	Blade To Blade Belt for 54 in
1	TCU17942	Blade To Blade Belt for 48 in
1	M136819	Blade To Blade Belt for 54 in