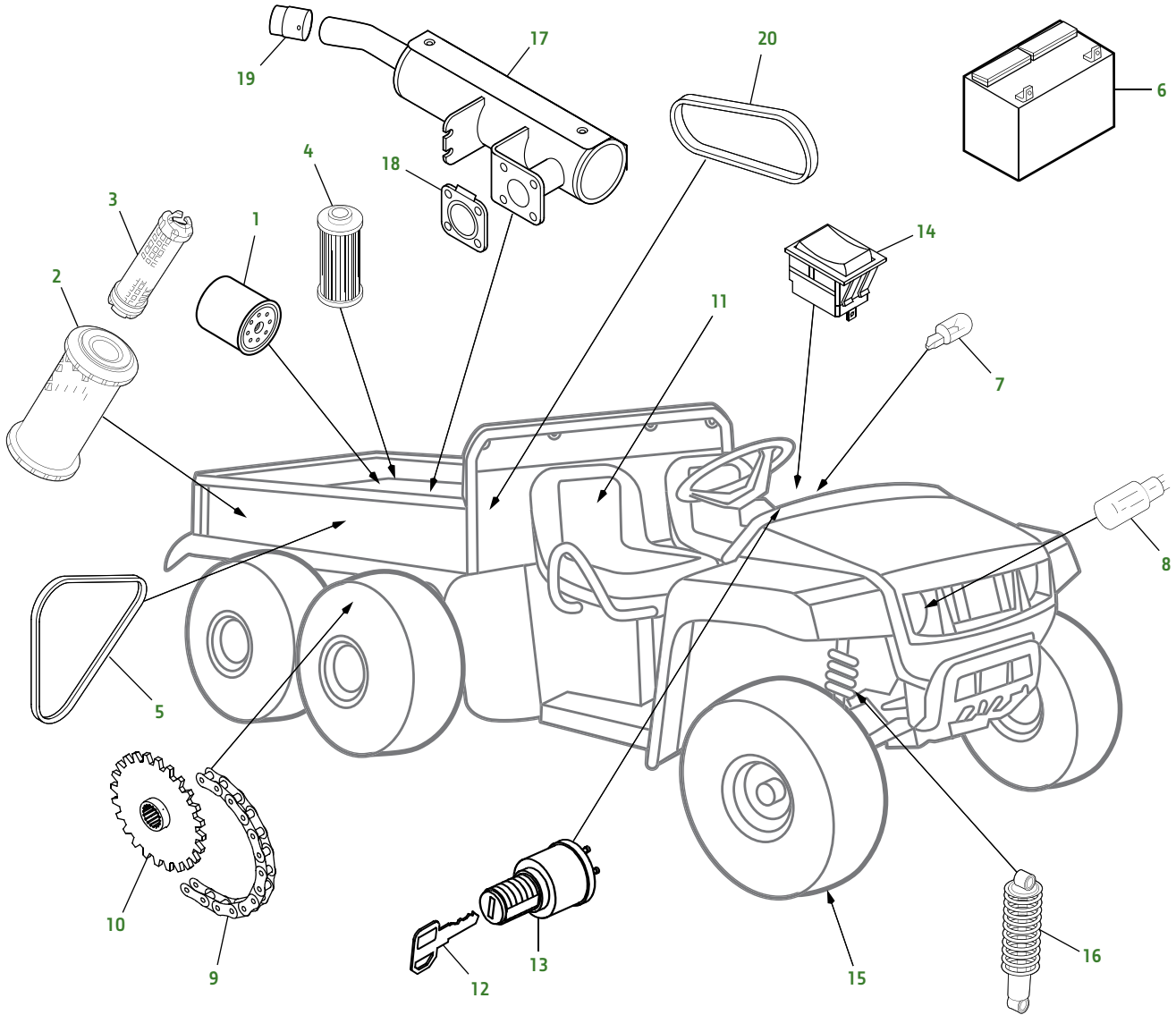


# Gator TH 6X4 Diesel



## Gator TH 6X4 Diesel

Key	Part No.	Description	Key	Part No.	Description
1	<a href="#">M806418</a>	OIL FILTER - ENGINE	15	<a href="#">M138664</a>	TIRE - FRONT - ALL PURPOSE — 22.5 X 10-8 in. †
2	<a href="#">M113621</a>	AIR FILTER - STANDARD - PRIMARY		<a href="#">M170693</a>	TIRE - FRONT - ALL PURPOSE — 22.5 X 10-8 in. ‡
3	<a href="#">M123378</a>	AIR FILTER - STANDARD - SECONDARY		<a href="#">M170694</a>	TIRE - FRONT - TURF — 22.5 X 10-8 in. ‡
4	<a href="#">M801101</a>	FUEL FILTER		<a href="#">R90798</a>	TIRE - FRONT - KNOBBY — 22.5 X 10-8 in. †
5	<a href="#">MIU800681</a>	BELT - FAN		<a href="#">M170695</a>	TIRE - FRONT - KNOBBY — 22.5 X 10-8 in. ‡
6	<a href="#">TY25221</a>	BATTERY - DRY		<a href="#">M118819</a>	TIRE - REAR - ALL PURPOSE — 25 X 13-9 in. †
7	<a href="#">AR62407</a>	BULB - DASH		<a href="#">M170696</a>	TIRE - REAR - ALL PURPOSE — 25 X 13-9 in. ‡
8	<a href="#">AM118013</a>	BULB - HEADLIGHT		<a href="#">M171009</a>	TIRE - REAR - TURF — 25 X 12-9 in. ‡
9	<a href="#">M152672</a>	ROLLER CHAIN (1 PER SIDE)		<a href="#">R90796</a>	TIRE - REAR - KNOBBY — 25 X 12-9 in. †
10	<a href="#">M175264</a>	SPROCKET		<a href="#">M170697</a>	TIRE - REAR - KNOBBY — 25 X 12-9 in. ‡
11	<a href="#">VG11696</a>	SEAT (S/N 100000)	16	<a href="#">AM130448</a>	SPRING/SHOCK ABSORBER
	<a href="#">AM140211</a>	SEAT (S/N 100001-)		<a href="#">AM129514</a>	SPRING/SHOCK ABSORBER - HEAVY DUTY
12	<a href="#">AM131841</a>	KEY	17	<a href="#">AM135020</a>	MUFFLER (S/N -050000)
13	<a href="#">TCA22740</a>	SWITCH - IGNITION		<a href="#">BM26245</a>	MUFFLER (S/N 050001-)
14	<a href="#">AM117324</a>	SWITCH - LIGHT	18	<a href="#">M811809</a>	GASKET
			19	<a href="#">AM115838</a>	ARRESTOR
			20	<a href="#">M174026</a>	BELT-DRIVE
			21	<a href="#">LG260</a>	HOME MAINTENANCE KIT

† CARLISLE TIRES  
‡ WANDA TIRES

## Parts Needed in First 250 Hours of Operation

Qty	Part No.	Item	Capacity	Interval In Hours
2	<a href="#">M806418</a>	Engine Oil Filter		50/200
5	<a href="#">TY26674</a>	1 qt Engine Oil Plus-50™ II 15W40	2.3 qt	50/200
1	<a href="#">M113621</a>	Air Filter - Standard-Primary		200
1	<a href="#">M123378</a>	Air Filter - Standard-Secondary		200
1	<a href="#">M801101</a>	Fuel Filter		200
1	<a href="#">TY6341</a>	Multi - Purpose SD Polyurea Grease (14 oz)		As Needed

## Frequently Used Items

Qty	Part No.	Item
1	<a href="#">M174026</a>	Belt - Drive
1	<a href="#">MIU800681</a>	Belt - Fan
1	<a href="#">AM131841</a>	Key
1	<a href="#">AM146278</a>	FILLER CAP
1	<a href="#">TY26518</a>	Grease Gun