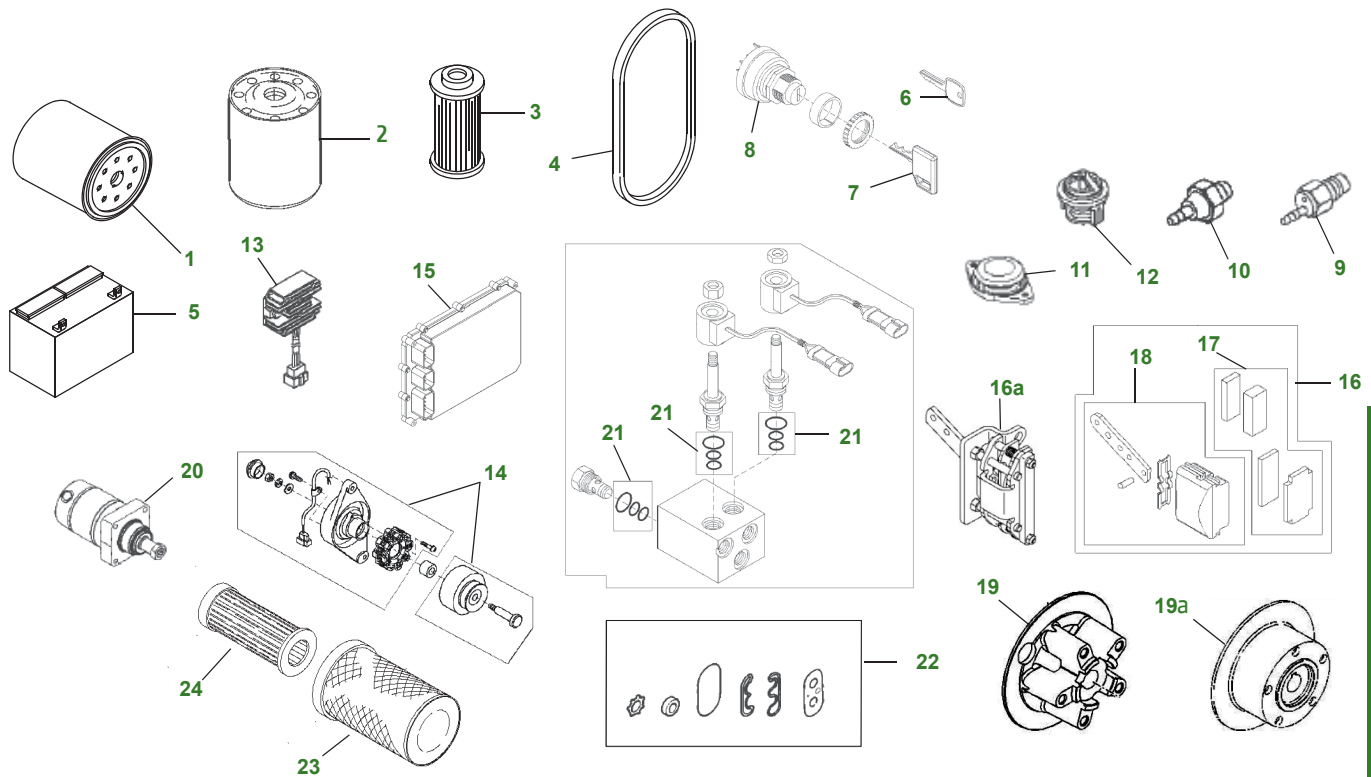


# 2653B PrecisionCut™ Trim and Surround Mower



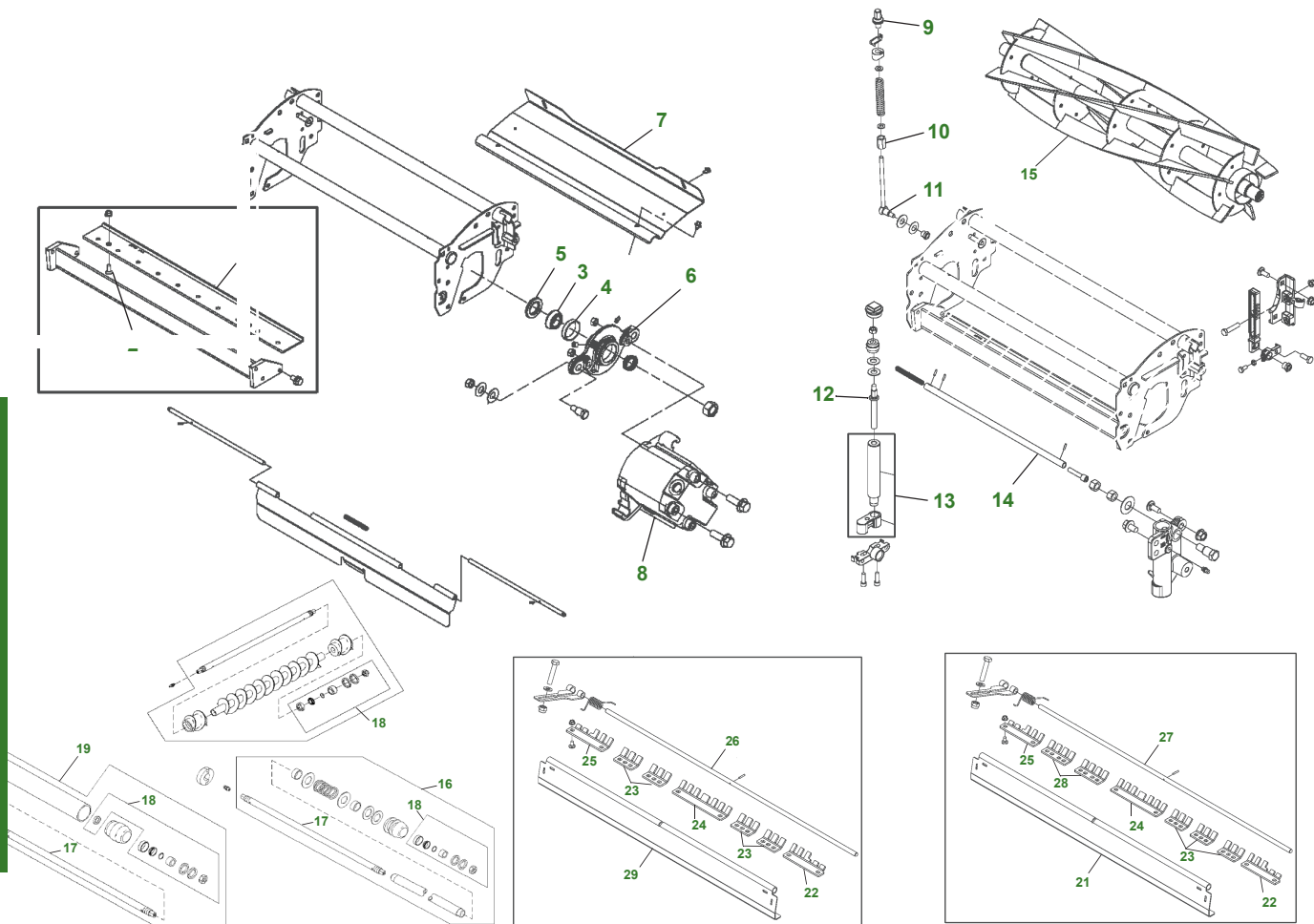
Key	Part No.	Description	Key	Part No.	Description
1	M806418	.....ENGINE OIL FILTER	15	TCA16744	.....CONTROL MODULE KIT
2	AM102723	.....HYDRAULIC OIL FILTER	16	AMT495	.....DISK BRAKE CALIPER ASSY (S/N -050000) RH
	LVU14258	.....HYDRAULIC OIL FILTER - SPIN ON		AMT496	.....DISK BRAKE CALIPER ASSY (S/N -050000) LH
3	M801101	.....FUEL FILTER ELEMENT	16a	TCA20251	.....DISK BRAKE CALIPER ASSY (S/N 050001-) RH
4	R81271	.....BELT - FAN (S/N -0201 19)		TCA20250	.....DISK BRAKE CALIPER ASSY (S/N0 50001-) LH
	LVU11659	.....BELT - FAN (S/N 020120-)	17	AMT442	.....KIT - BRAKE PADS (S/N -050000)
5	TY25876	.....BATTERY (DRY)	18	AMT444	.....LEVER BODY KIT - RH (S/N -050000)
6	AR51481	.....KEY		AMT441	.....LEVER BODY KIT - LH (S/N -050000)
7	AM125504	.....KEY - PADDED	19	TCU28817	.....DISK BRAKE HUB (S/N 050001-)
8	TCA22740	.....IGNITION SWITCH	19a	M122378	.....DISK BRAKE HUB (S/N -050000)
9	CH15516	.....TEMP SWITCH	20	AET11112	.....WHEEL MOTOR - FRONT
10	M809526	.....OIL PRESSURE SWITCH		TCA17053	.....WHEEL MOTOR - REAR
11	AET10449	.....OPERATOR PRESENCE SWITCH		AZ45116	.....GASKET KIT - FRONT/REAR WHEEL MOTOR
12	M811895	.....THERMOSTAT	21	AT224862	.....SEAL KIT - HYDRAULIC SOLENOID
13	AM126304	.....REGULATOR	22	AMT2679	.....REEL PUMP REPAIR KIT
14	AM879144	.....ALTERNATOR	23	M113621	.....AIR FILTER - PRIMARY
			24	M123378	.....AIR FILTER - SECONDARY

## Parts Needed in First 200 hours of Operation

Qty	Part No.	Item	Capacity	Interval In Hours
2	M806418	Engine Oil Filter		50/200
5	TY26674	Plus-50™ II 15W-40 Engine Oil - 1 qt	2.25 qt	50/200
5	TY26799	Torq-Gard™ Supreme 15W-40 Engine Oil - 1 qt	2.25 qt	50/200
1	AM102723	Hydraulic Oil Filter - Standard		50
1	LVU14258	Hydraulic Oil Filter - High Performance (optional)		50
6	TY6354	JD Hy-Gard™ Hydraulic Oil (J20C) - 1 gal	5.5 gal	50
3	TY25083	John Deere Special Purpose Golf & Turf Cutting Unit Grease (14 oz) (Cutting Unit and Cutting Unit Attachments)		As Needed
3	TY6341	John Deere Multi-Purpose SD Polyurea Grease (14 oz) (Machine components, lift arms and rollers)		As Needed

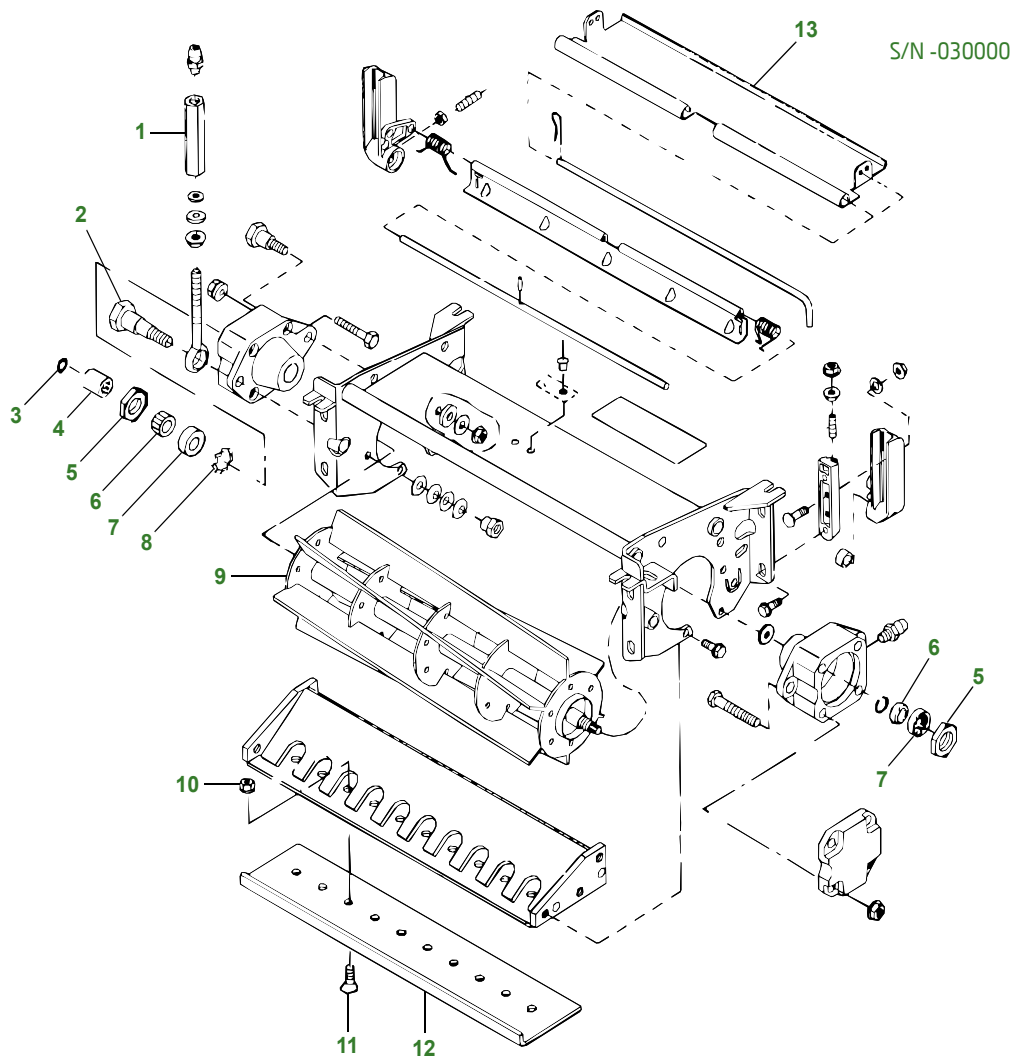
\*Refer to Operators Manual for service intervals if using BioDiesel Fuel and Bio Hy-Gard.

# 2653B PrecisionCut™ 26 in. & 30 in. QA7 Reels and Bedknives



Key	Part No.	Description	Key	Part No.	Description
1	ET17752	BEDKNIFE - STANDARD - 26 in.		TCA19357	REEL - 5-BLADE - 30 in. - USE W/BM22467
	TCU34070	BEDKNIFE - LESS AGGRESSIVE HARDENED INSERT- 26 in.		TCA19356	REEL - 8-BLADE - 26 in. - USE W/BM22466
	MT6949	BEDKNIFE - TOURNAMENT - 26 in. (STD)		TCA19358	REEL - 8-BLADE - 30 in. - USE W/ BM22468
	MT1973	BEDKNIFE - STANDARD - 30 in.	16	BM25318	ROLLER - GROOVED - 26 in.
2	19M7573	SCREW - M8 - (12)		BM25319	ROLLER - GROOVED - 30 in.
3	JD8933	BEARING CONE	17	ET17514	SHAFT - 26 in.
4	JD8253	BEARING CUP		MT1986	SHAFT - 30 in.
5	TCU25266	SEAL	18	AET10632	SEAL KIT
6	TCU25980	BEARING HOUSING W/O BEARINGS - LH	19	AMT2969	ROLLER - SMOOTH - 26 in.
	TCU25979	BEARING HOUSING W/O BEARINGS - RH		AMT2976	ROLLER - SMOOTH - 30 in.
7	TCA19174	SHIELD - 26 in.	20	AMT2468	ROLLER - SPIRAL - 26 in.
	TCA19175	SHIELD - 30 in.		AMT2469	ROLLER - SPIRAL - 30 in.
8	TCA22472	CUTTING UNIT MOTOR		AMT1287	ROLLER - SPRIAL GROOVED END CAPS - 26 in.
	TCA19115	CUTTING UNIT MOTOR SEAL KIT		AMT1288	ROLLER - SPRIAL GROOVED END CAPS - 30 in.
9	TCU24955	ADJUSTER	21	TCU27070	SCRAPER - 30 in.
10	TCU26315	ADJUSTER	22	MT5159	SCRAPER
11	TCU25317	ADJUSTER	23	MT2342	SCRAPER
12	TCU26123	ADJUSTER	24	MT2340	SCRAPER
13	TCA19331	ADJUSTER	25	MT5158	SCRAPER
14	TCU29056	TUBE - 26 in.	26	ET17758	ROD - 26 in.
	TCU26741	TUBE - 30 in.	27	MT1982	ROD - 30 in.
15	TCA19355	REEL - 5-BLADE - 26 in. - USE W/BM22465	28	MT2341	SCRAPER
			29	TCU27069	SCRAPER - 26 in.

# 2653B PrecisionCut™ 26 in. & 30 in. ESP Cutting Unit



Rough Intermediates and Surrounds

Key	Part No.	Description	Key	Part No.	Description
1	AMT2965	ADJUSTER	10	14M7396	NUT
2	ET16896	BOLT	11	19M7573	SCREW (10) - (BM18569/BM18570)
3	MT2745	SNAP RING	11	19M7573	SCREW (12) - (BM18436/BM18437)
4	TCA12581	SPLINED COUPLING	12	ET17752	BEDKNIFE - 26 in. STANDARD
5	P48362	LOCK NUT	12	MT1973	BEDKNIFE - 30 in. STANDARD
6	JD8960	BEARING CONE	12	MT6949	BEDKNIFE - 26 in. TOURNAMENT
7	JD8239	BEARING CUP	12	TCU34070	BEDKNIFE - 26 in. HARDENED LESS AGGRESSIVE
8	ET17510	SPRING	13	TCU30953	DEFLECTOR - 26 in.
9	AMT2870	REEL - 5-BLADE - 26 in.	13	MT1979	DEFLECTOR - 30 in.
	AMT2888	REEL - 5-BLADE - 30 in.			
	AMT2871	REEL - 8-BLADE - 26 in.			
	AMT2890	REEL - 8-BLADE - 30 in.			