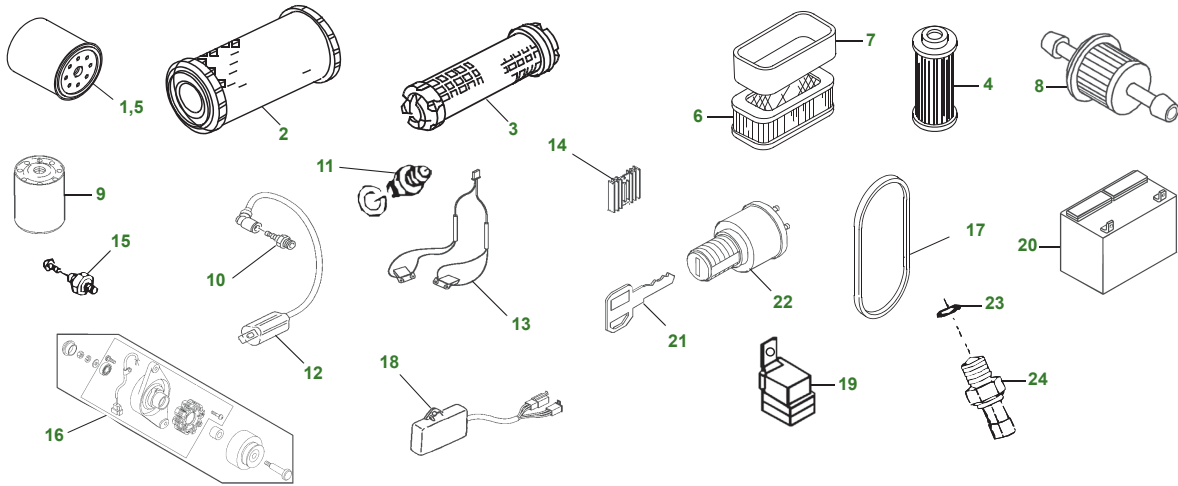


2500B PrecisonCut™ / 2500E E-Cut™ Hybrid Riding Greens Mowers



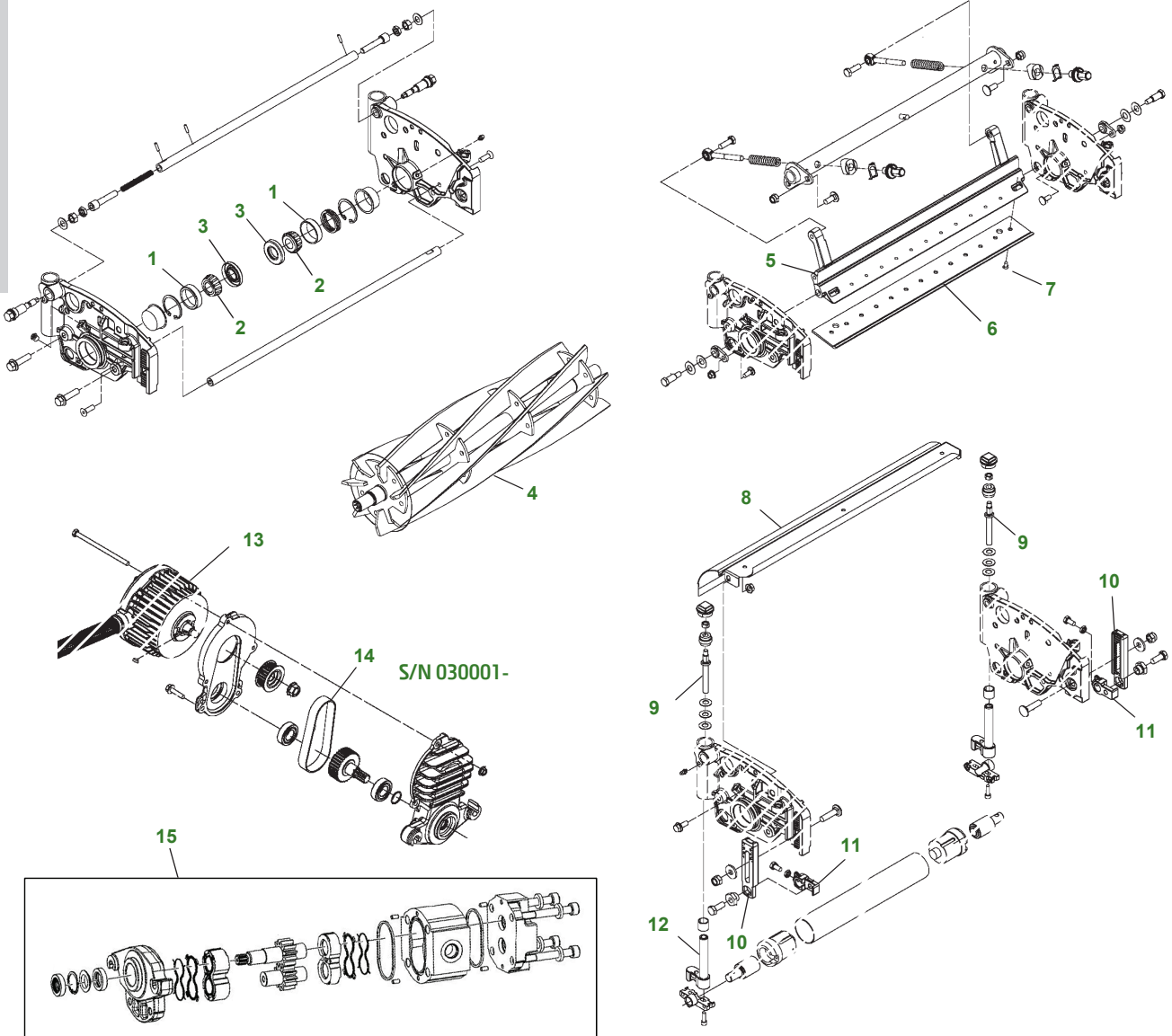
| Key | Part No. | Description | Key | Part No. | Description |
|-------------------|----------|---|-----|----------|---|
| GAS/DIESEL | | | | | |
| 1 | M806418 |OIL FILTER - DIESEL | 16 | AM879144 |ALTERNATOR |
| 2 | M113621 |AIR FILTER - PRIMARY - DIESEL | 17 | M97340 |BELT - ALTERNATOR - 2500B GAS |
| 3 | M123378 |AIR FILTER - SECONDARY - DIESEL | | R81271 |BELT - ALT - 2500B DIESEL (S/N -020000) |
| 4 | M801101 |FUEL FILTER - DIESEL | | LVU11659 |BELT - ALT - 2500B DIESEL (S/N 020001-) |
| 5 | AM107423 |OIL FILTER - GAS | | TCU21861 |BELT - ALT - 2500E HYBRID GAS (S/N -050000) |
| 6 | MIU11376 |AIR FILTER - SECONDARY - PAPER - GAS | | TCU28728 |BELT - ALT - 2500E HYBRID GAS (S/N 050001-) |
| 7 | M76076 |AIR FILTER - PRIMARY - FOAM - GAS | | TCU21286 |BELT - ALT - 2500E HYBRID DIESEL (S/N -020000) |
| 8 | AM116304 |FUEL FILTER - GAS | | TCU24175 |BELT - ALT - 2500E HYBRID DIESEL (S/N 020001-) |
| 9 | AM102723 |HYDRAULIC FILTER | 18 | AM105574 |IGNITOR |
| | LVU14258 |HYDRAULIC FILTER - SPIN ON | 19 | AM123716 |RELAY |
| 10 | M805853 |SPARK PLUG | 20 | TY25876 |BATTERY |
| | MIU13128 |SPARK PLUG (ENGINE MARKED FD620D-LS22) | 21 | AM125504 |KEY |
| 11 | CH15516 |WATER TEMP SWITCH - DIESEL | 22 | TCA22740 |SWITCH |
| | AM108952 |WATER TEMP SWITCH - GAS | 23 | 51M7042 |O-RING |
| 12 | AM120732 |COIL | 24 | RE46534 |SWITCH - MOW/LIFT |
| 13 | AM105573 |COIL - PULSER | | | |
| 14 | AM126304 |REGULATOR | | | |
| 15 | M809526 |OIL PRESSURE SWITCH - DIESEL | | | |

Parts Needed in First 200 hours of Operation

| Qty | Part No. | Item | Capacity | Interval In Hours |
|---------------|----------------------|--|----------|-------------------|
| GAS MODELS | | | | |
| 3 | AM107423 | Engine Oil Filter | | 50/100/200 |
| 1 | TY26797 | Torq-Gard™ Supreme 10W-30 Engine Oil - 5 gal | 1.9 qt | 50/100/200 |
| 1 | AM102723 or LVU14258 | Hydraulic Filter | | 50 |
| 3 | TY22062 | Hy-Gard™ Trans Oil - J20C - 2 1/2 gal | 7.6 gal | 50 |
| 3 | TY25083 | John Deere Special Purpose Golf & Turf Cutting Unit Grease (14 oz) (Cutting Unit and Cutting Unit Attachments) | | As Needed |
| 1 | TY6341 | John Deere Multi-Purpose SD Polyurea Grease (14 oz) (Machine components, lift arms and rollers) | | As Needed |
| DIESEL MODELS | | | | |
| 2 | M806418 | Engine Oil Filter | | 50/200 |
| 6 | TY26669 | Plus-50™ II 10W-30 Engine Oil - 1 qt | 2.3 qt | 50/200 |
| 1 | AM102723 or LVU14258 | Hydraulic Filter | | 50 |
| 3 | TY22062 | Hy-Gard™ Trans Oil - J20C - 2 1/2 gal | 7.6 gal | 50 |
| 3 | TY25083 | John Deere Special Purpose Golf & Turf Cutting Unit Grease (14 oz) (Cutting Unit and Cutting Unit Attachments) | | As Needed |
| 1 | TY6341 | John Deere Multi-Purpose SD Polyurea Grease (14 oz) (Machine components, lift arms and rollers) | | As Needed |

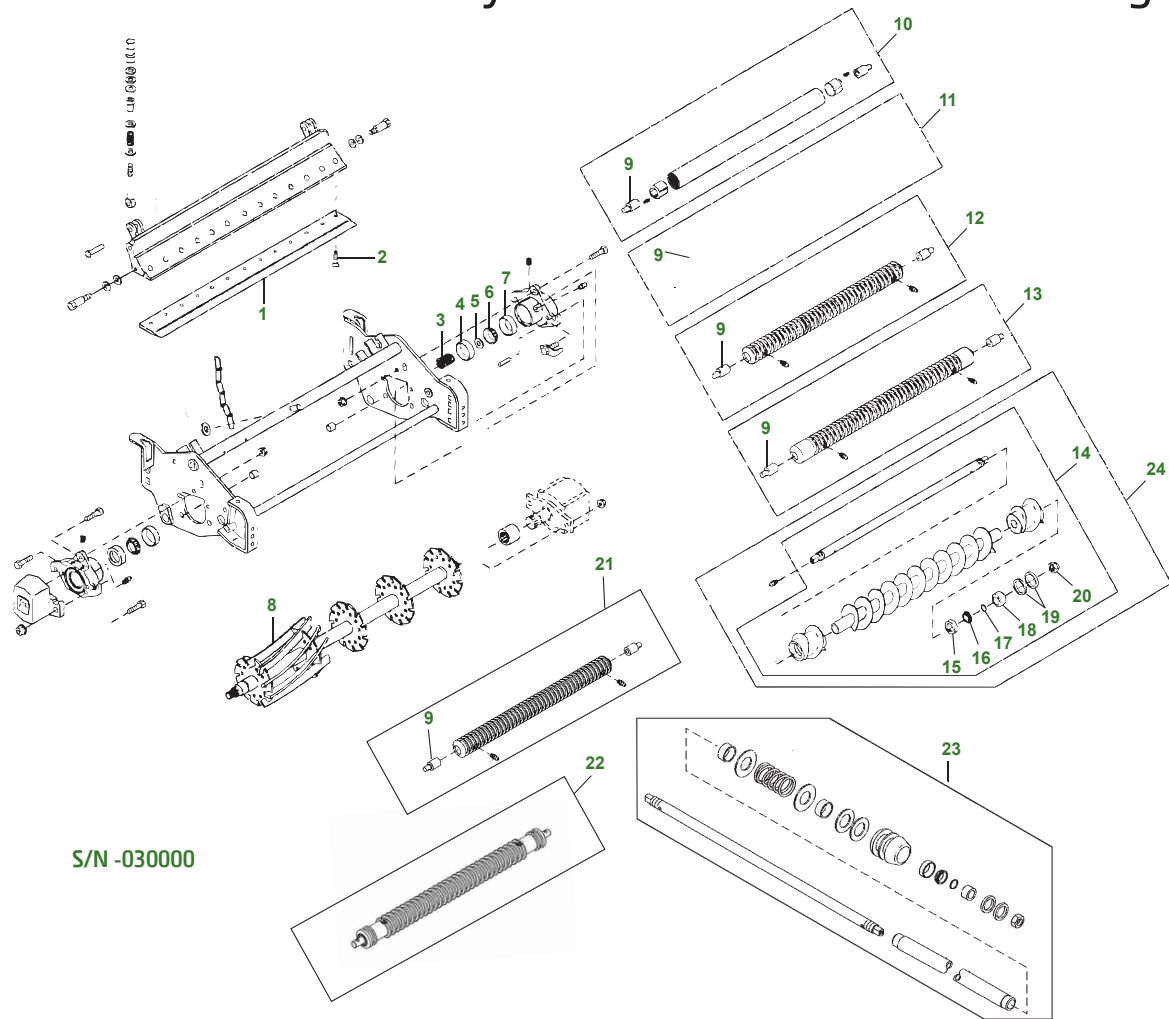
*Refer to Operators Manual for service intervals if using BioDiesel Fuel and Bio Hy-Gard.

2500B / 2500E Hybrid 22 in. QA5 Cutting Unit



| Key | Part No. | Description | Key | Part No. | Description |
|-----|----------|--------------------------------------|-----|----------|---|
| 1 | JD8226 | BEARING CUP | | TCU36165 | BEDKNIFE - HARDENED LESS AGGRESSIVE LOW-CUT |
| 2 | JD8188 | BEARING CONE | 7 | 21M7194 | SCREW |
| 3 | ET14566 | SEAL | 8 | TCA19624 | SHIELD |
| 4 | TCA19350 | REEL - 7-BLADE | 9 | TCU24328 | ADJUSTER |
| | TCA19351 | REEL - 11-BLADE | 10 | TCU24460 | BRACKET |
| | TCA23621 | REEL - 14-BLADE | 11 | TCU24461 | BRACKET |
| 5 | TCU35968 | SHOE | 12 | TCA18706 | ADJUSTER |
| 6 | ET17533 | BEDKNIFE - STANDARD | 13 | AUC10827 | MOTOR - 2500E |
| | ET17534 | BEDKNIFE - TOURNAMENT | 14 | TCU33535 | SYNCHRONOUS BELT - 2500E |
| | ET17532 | BEDKNIFE - FAIRWAY LOW-CUT - 7-BLADE | 15 | TCA22470 | HYDRAULIC MOTOR - 2500B |
| | ET17767 | BEDKNIFE - FAIRWAY - HI-CUT | | | |
| | MT7351 | BEDKNIFE - LOW-CUT - 11-BLADE | | | |
| | ET11066 | BEDKNIFE - 3.0 mm W/HARDENED INSERT | | | |

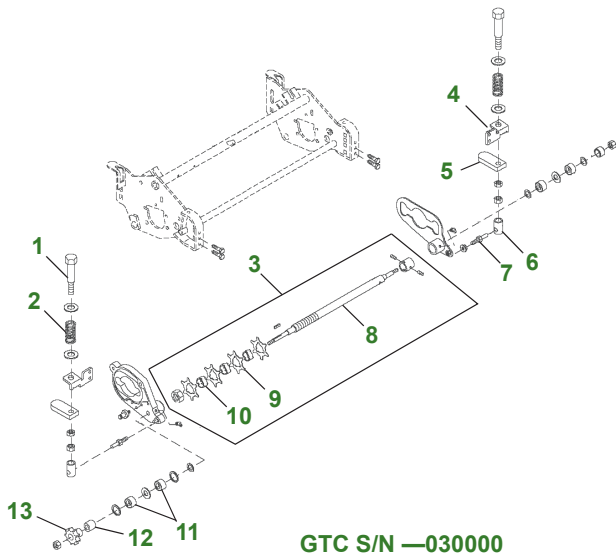
2500B / 2500E Hybrid 22 in. Rollers and Cutting Unit



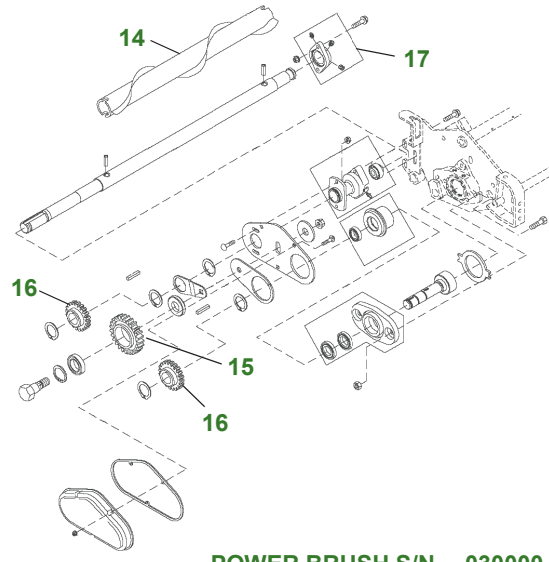
S/N -030000

| Key | Part No. | Description | Key | Part No. | Description |
|-----|----------------|--|-----|----------------|---|
| 1 | ET17533 | BEDKNIFE - STANDARD | 11 | BM23566 | ROLLER - MACHINED SPIRAL - 2 in. |
| | ET17767 | BEDKNIFE - FAIRWAY - HI-CUT | 12 | AMT2875 | MACHINED GROOVED SOLID FRONT ROLLER - 2 X 22.5 in. |
| | ET17534 | BEDKNIFE - TOURNAMENT | | AMT2877 | MACHINED GROOVED SOLID FRONT ROLLER - 2 X 23.5 in. |
| | ET17532 | BEDKNIFE - FAIRWAY - LOW-CUT - 7-BLADE | | BE23416 | MACHINED GROOVED SOLID FRONT ROLLER - 2 in. - ATTACHMENT |
| | ET11066 | BEDKNIFE - 3.0 mm W/HARDENED INSERT | 13 | AMT2879 | MACHINED GROOVED SOLID FRONT ROLLER WITH SOLID END CAPS - 2 in. |
| | MT7351 | BEDKNIFE - LOW-CUT - 11-BLADE | 14 | AMT2467 | SPIRAL ROLLER WITH SPIRAL END CAPS - 3 in. |
| | TCU36165 | BEDKNIFE - HARDENED LESS AGGRESSIVE LOW-CUT | | AMT1286 | SPIRAL ROLLER WITH GROOVED END CAPS - 3 in. |
| 2 | 21M7194 | SCREW | 15 | JD8226 | BEARING CUP |
| 3 | ET14592 | SPRING | 16 | JD8188 | BEARING CONE |
| 4 | ET14566 | SEAL | 17 | U46731 | O-RING |
| 5 | ET16704 | RETAINER | 18 | ET15726 | SLEEVE |
| 6 | JD8188 | BEARING CONE | 19 | ET15755 | SEAL |
| 7 | JD8226 | BEARING CUP | 20 | N101345 | LOCK NUT |
| 8 | AMT2883 | REEL - 7-BLADE | 21 | AMT2880 | MACHINED SPIRAL ROLLER - 2 in. |
| | AMT2885 | REEL - 11-BLADE | | BM19821 | MACHINED SPIRAL ROLLER - 2 in. - ATTACHMENT |
| 9 | TCA22836 | BALL BEARING | 22 | BTC10267 | MACHINED GROOVED ROLLER - 2 in. |
| 10 | AMT2876 | HOLLOW SMOOTH ROLLER - 2 in. (FOR USE ON GREENS) | 23 | BM25317 | GROOVED DISK ROLLER - 3 in. |
| | AMT2967 | SMOOTH ROLLER - 3 in. | | BM26408 | GROOVED DISK ROLLER - 2.5 in. |
| | AMT2878 | MACHINED SMOOTH SOLID FRONT ROLLER - 2 in. | 24 | BM19817 | SPIRAL ROLLER WITH END CAPS - ATTACHMENT |
| | BM24202 | HOLLOW SMOOTH ROLLER - 2 in. (FOR USE ON FAIRWAYS) | | | |

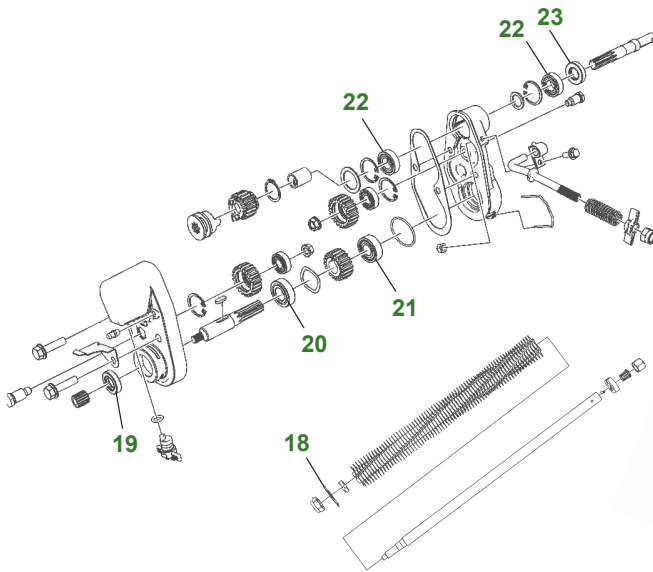
2500B / 2500E Hybrid 22 in. GTC & Power Brush



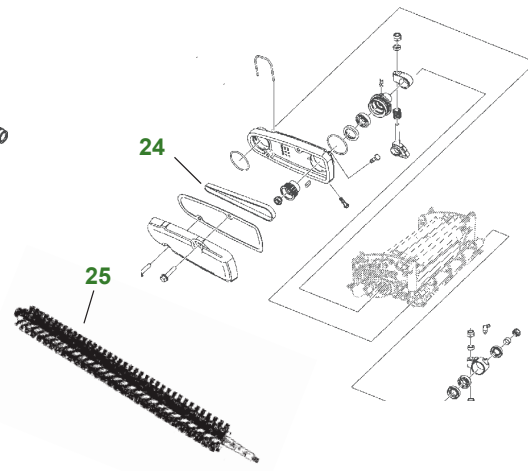
GTC S/N -030000



POWER BRUSH S/N -030000



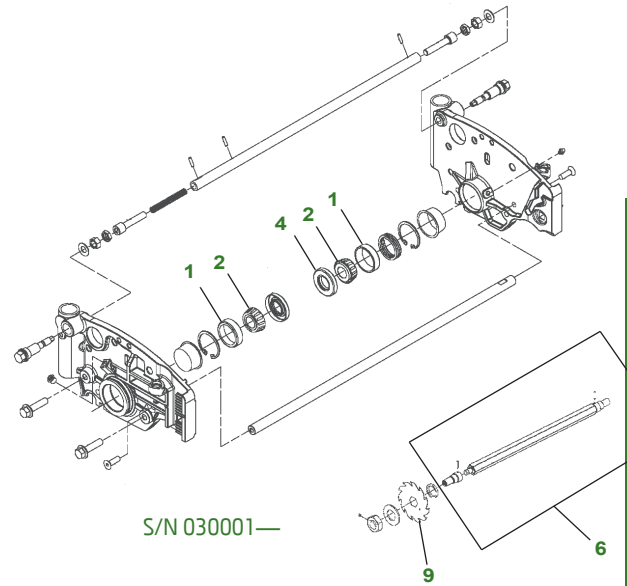
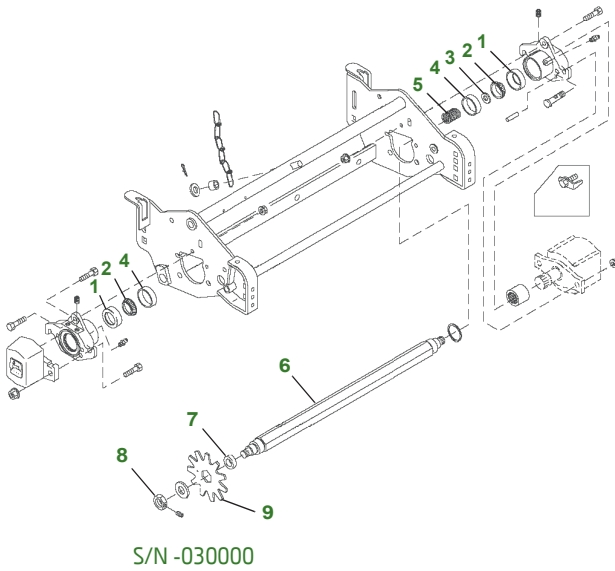
GTC S/N 030001-



POWER BRUSH S/N 030001-

| Key | Part No. | Description | Key | Part No. | Description |
|-----|----------|--|-----|----------|--|
| 1 | ET16849 |BOLT | 14 | AMT2710 |BRUSH |
| 2 | Y3082BN |SPRING | 15 | AMT1650 |GEAR - IDLER |
| 3 | AMT2936 |ROLL | 16 | MT2552 |GEAR - BRUSH DRIVER |
| 4 | MT6649 |SUPPORT | 17 | AMT1643 |BALL BEARING |
| 5 | ET16848 |STRAP | 18 | ET14707 |BEDKNIFE - GREENS TENDER CONDITIONER |
| 6 | ET16750 | ADJUSTER | | MT2624 |BEDKNIFE - FAIRWAY TENDER CONDITIONER |
| 7 | ET16753 | STUD | 19 | MT2622 |SEAL |
| 8 | MT4633 |SHAFT | 20 | JD8653 |BALL BEARING |
| 9 | ET14707 | KNIFE - GREENS TENDER CONDITIONER (2.36 in.) | 21 | M802355 |BALL BEARING |
| | MT7266 |KNIFE - GREENS TENDER CONDITIONER (2.13 in.) | 22 | TCU24834 |BALL BEARING |
| 10 | MT7280 |SPACER | 23 | MT6828 |SEAL |
| 11 | ET16026 |BALL BEARING | 24 | TCU32422 |SYNCHRONOUS BELT |
| 12 | ET17658 |SPACER | 25 | BM24730 |DENSE TURF ROTARY TURF BRUSH |
| 13 | ET11039 |SPUR GEAR | | | |

2500B / 2500E Hybrid 22 in. Vertical Cutting Unit



| Key | Part No. | Description | Key | Part No. | Description |
|-----|----------|----------------------------|-----|----------|----------------------------|
| 1 | JD8226 |BEARING CUP | 7 | ET17713 |WASHER |
| 2 | JD8188 |BEARING CONE | 8 | ET17053 |NUT |
| 3 | ET16704 |WASHER | 9 | AMT2703 |KNIFE - (S/N -030000) |
| 4 | ET14566 |SEAL | | TCU26776 |KNIFE - (S/N 030001-) |
| 5 | ET14592 |SPRING | | | |
| 6 | ET17715 |SHAFT - (S/N -030000) | | | |
| | TCA19344 |SHAFT - (S/N 030001-) | | | |