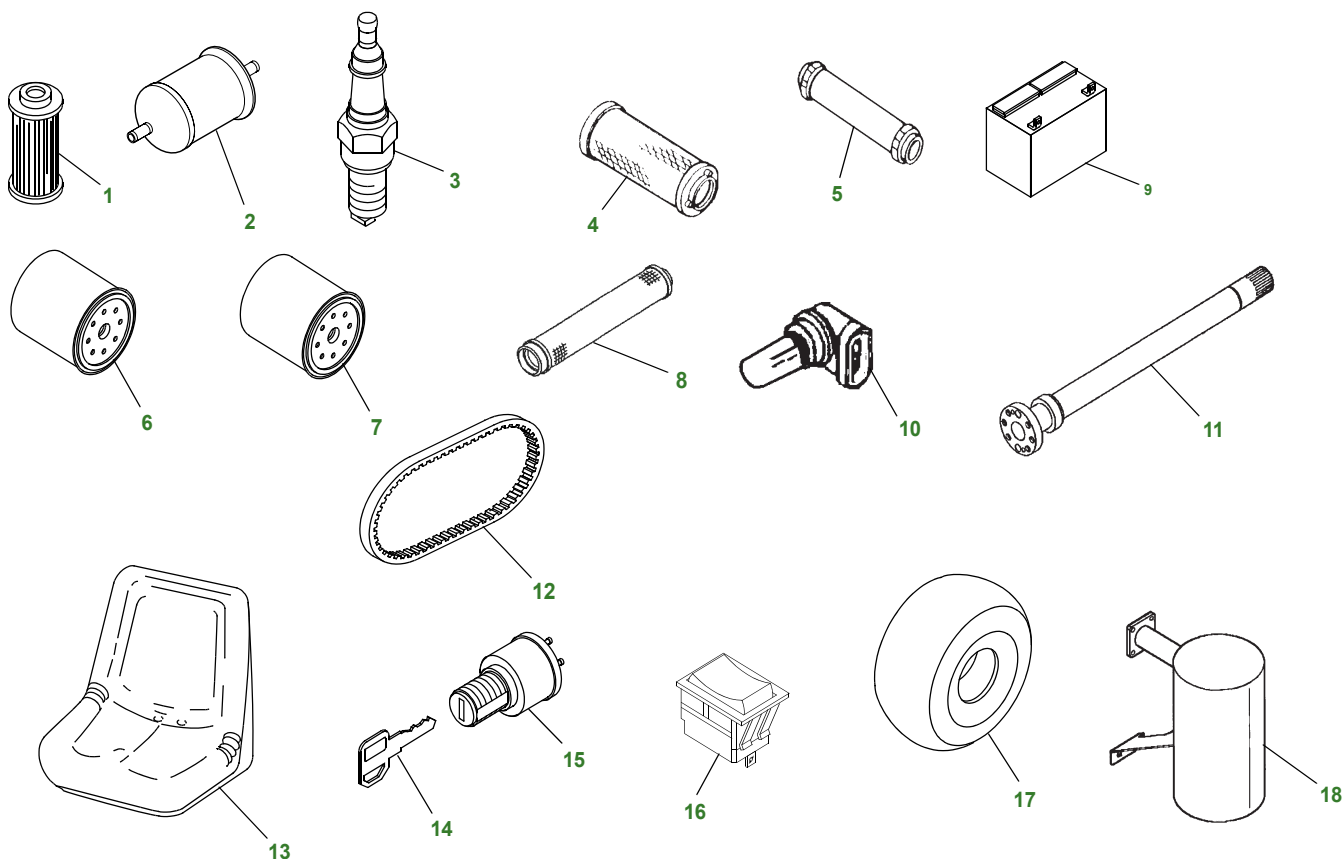


# ProGator 2020A / 2030A



Key	Part No.	Description	Key	Part No.	Description
1	M801101	FUEL FILTER - ELEMENT - 2030A	12	T111546	BELT - WATER PUMP - 2020A - (S/N -011029)
2	AM876035	FUEL FILTER - 2020A - (S/N -060000)		M811284	BELT - WATER PUMP - 2020A - (S/N 011030-)
	MIU13548	FUEL FILTER - 2020A - (S/N 060001-)		RG60467	BELT - WATER PUMP - DIESEL - 2030A
3	M805853	SPARK PLUG - 2020A - (S/N -060000)	13	TCA21044	SEAT - (S/N -075000)
	MIU13556	SPARK PLUG - 2020A - (S/N 060001-)		TCA24320	SEAT - (S/N 080001-)
4	M113621	AIR FILTER - PRIMARY - 2030A	14	AM131841	KEY - 2030A
	AM125696	AIR FILTER - PRIMARY - 2020A		TCA24616	KEY - 2020A
5	M123378	AIR FILTER - SECONDARY	15	TCA22740	SWITCH - IGNITION 2030A
6	M806418	ENGINE OIL FILTER - 2020A - (S/N -060000) & 2030A		UC10104	SWITCH - IGNITION 2020A
	MIU13555	ENGINE OIL FILTER - 2020A - (S/N 060001-)	16	AM117324	ROCKER SWITCH - WORK LIGHTS
7	M131053	HYDRAULIC OIL FILTER	17	TCU30414	TIRE - REAR - 26 X 12 X 12
8	AM130017	AUXILIARY HYDRAULIC STRAINER (S/N -060000)		M145115	TIRE - REAR - 26 X 14 X 12
9	TY25876	BATTERY (DRY)		M129988	TIRE - FRONT - 23 X 10.5 X 12
10	R136239	BULB - HEADLIGHT	18	TCA16614	MUFFLER - 2030A (S/N -080000)
11	M809135	REAR AXLE (LH)		TCA25273	MUFFLER - 2030A (S/N 080001-)
	M809136	REAR AXLE (RH)		TCA17328	MUFFLER - 2020A (S/N -060000)
				TCA20138	MUFFLER - 2020A (S/N 060001-080324)
				TCA25469	MUFFLER - 2020A (S/N 080325-)

# ProGator 2020A / 2030A (Continued)

## Parts Needed in First 250 hours of Operation

Qty	Part No.	Item	Capacity	Interval In Hours
2	M806418	Engine Oil Filter - 2020A (S/N -60000) & 2030A		50/200
2	MIU13555	Engine Oil Filter - 2020A (S/N 060001-)		
1	TY26675	JD Plus-50™ II 15W-40 Engine Oil - 2030A - 2 1/2 gal	2.2 qt	50/200
1	TY22076	TURF-GARD™ 10W-30 Engine Oil - 2020A - 2 1/2 gal	3.4 qt	
1	AM130017	Transmission Oil Strainer (S/N -60000)		50
1	M131053	Hydraulic Filter		50
1	AR69444	JD Hygard Trans/Hydraulic Oil - 5 gal	2.8 gal Trans / Hyd 3.5 qt - Front Axle	50
3	TY6341	John Deere Multi-Purpose SD Polyurea Grease (14 oz)		As Needed

\*Refer to Operators Manual for service intervals if using BioDiesel Fuel and Bio Hy-Gard.