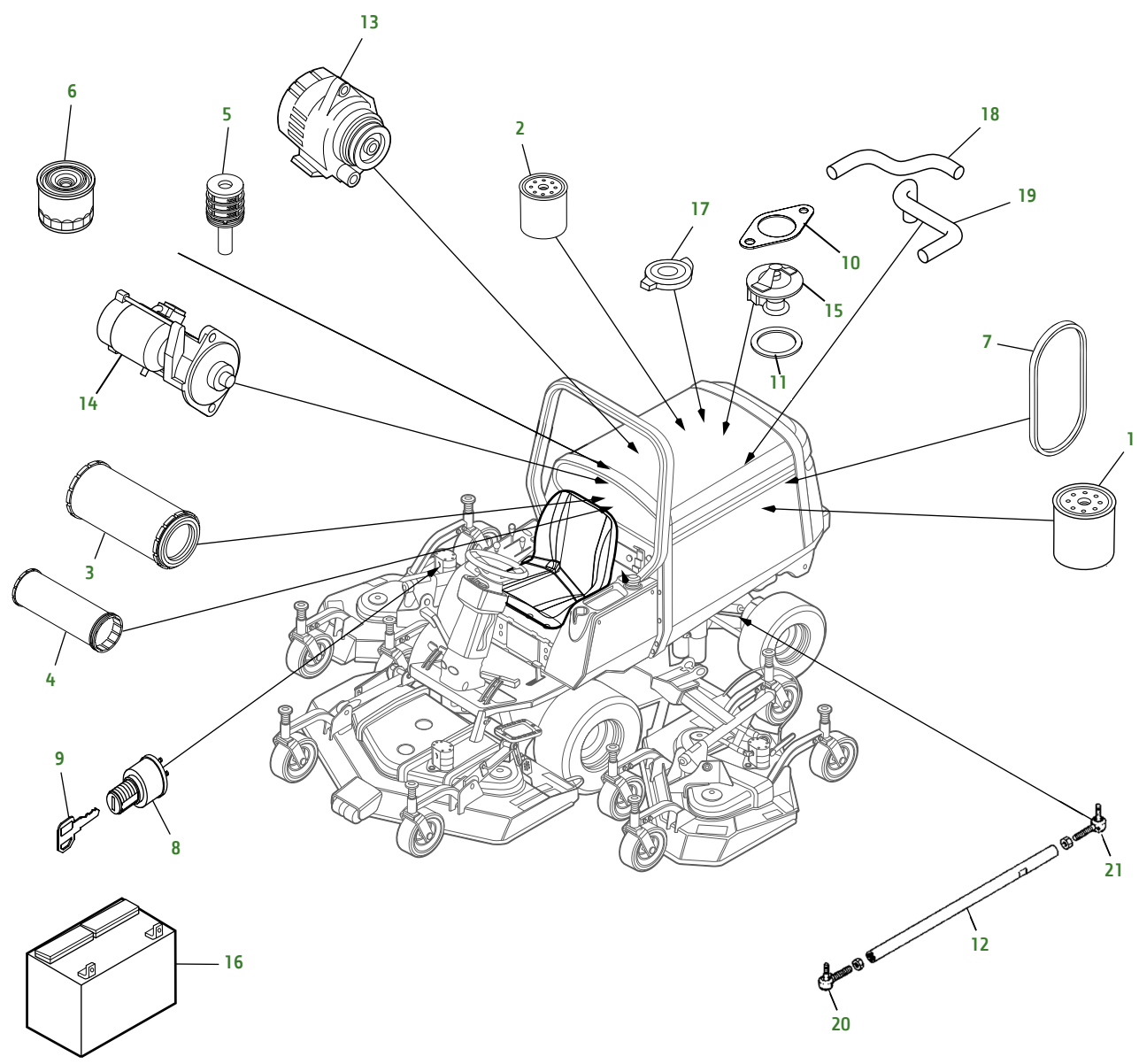


1600 Turbo Series III



1600 Turbo Series III (Continued)

Key	Part No.	Description	Key	Part No.	Description
1	M806419	ENGINE OIL FILTER	12	M800428	TIE ROD TUBE
2	AL77061	HYDRAULIC FILTER	13	AUC10870	ALTERNATOR
3	RE68048	AIR FILTER - PRIMARY	14	RG60654	STARTER MOTOR
4	RE68049	AIR FILTER - SECONDARY	15	M811034	THERMOSTAT
5	MIU802421	FUEL FILTER ELEMENT	16	TCA25056	BATTERY
6	MIU803127	FUEL FILTER	17	AT173610	RADIATOR CAP
7	UC11980	FAN BELT	18	UC10561	RADIATOR HOSE - UPPER
8	UC10104	IGNITION SWITCH	19	UC10562	RADIATOR HOSE - LOWER
9	TCA24616	IGNITION KEY	20	AM878082	TIE ROD END - LH
10	M805834	GASKET - UPPER	21	AM878081	TIE ROD END - RH
11	M805835	GASKET - LOWER			

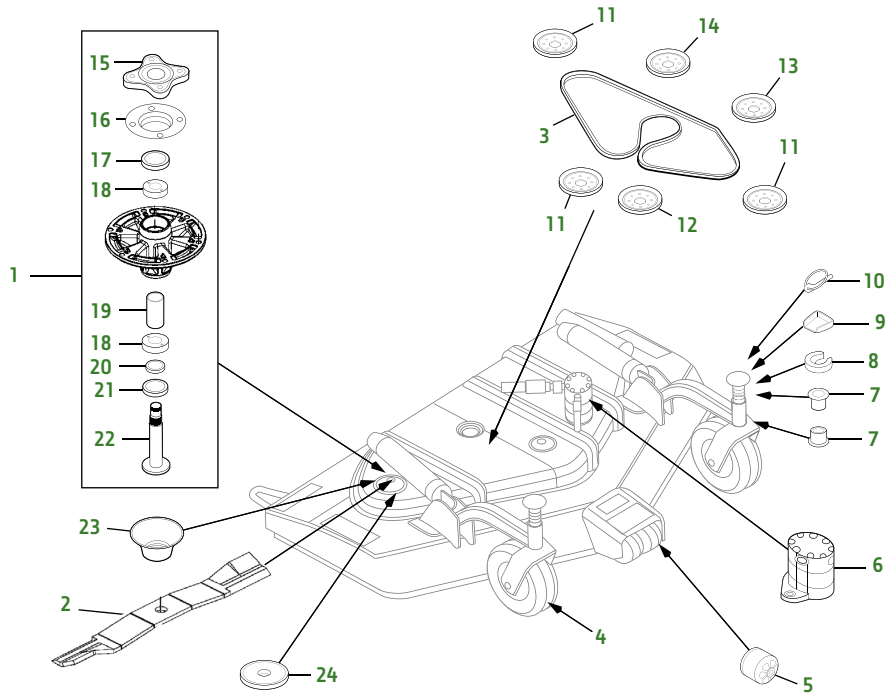
Parts Needed in First 200 Hours of Operation

Qty	Part No.	Item	Capacity	Interval In Hours
1	M806419	Engine Oil Filter	1	200
2	TY26673	PLUS-50™ II 15W-40 - 1 gal	7.8 qt	200
1	AL77061	Hydraulic Filter	1	50
2	TY22062	Hy-Gard™ Transmission Fluid - 2.5 gal	3.5 gal	50
1	TY6341	Multi-Purpose SD Polyurea Grease (14 oz)		As Needed

Capacities

Engine Oil (with Filter) 7.4 L (7.8 qt.)
 Coolant 7.5 L (8.0 qt.)
 Hydraulic System 58.7 L (15.5 gal.)
 Hydrostatic Transmission 13.3 L (3.5 gal.)
 Rear Axle 4.7 L (5 qt.)
 Grease Gun TY26518

62 in. Front-Mount, Rear Discharge deck 1600 Turbo Series III

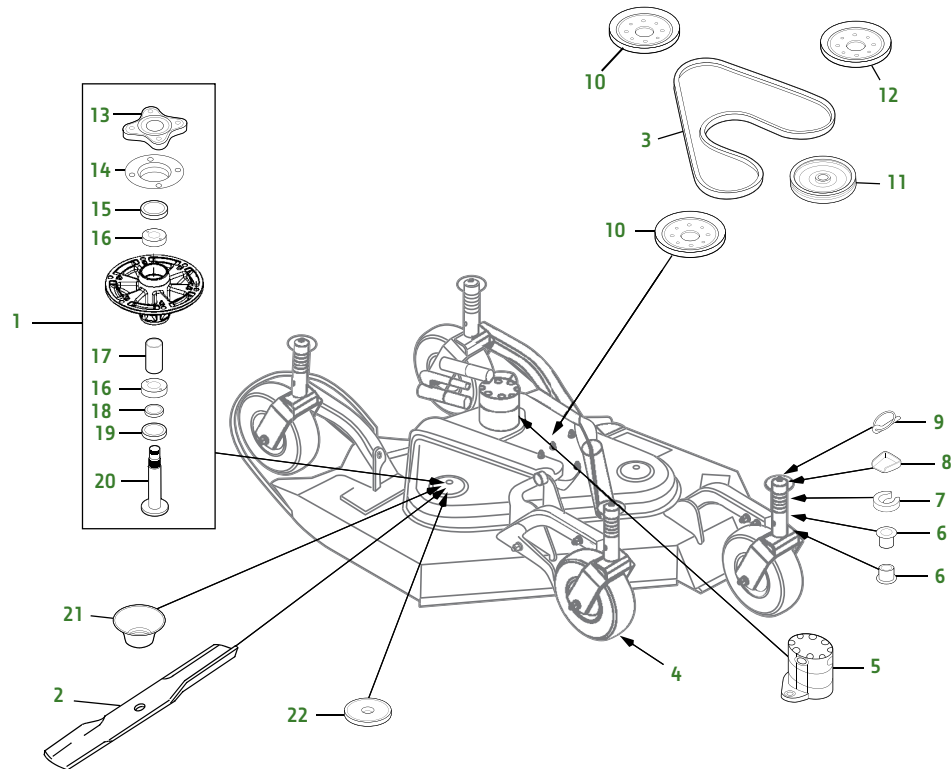


Key	Part No.	Description	Key	Part No.	Description
1	TCA24881 SPINDLE ASSEMBLY	13	AN15237 IDLER SHEAVE
2	TCU51118 BLADE (STD)	14	TCA20656 SHEAVE
	M144935 BLADE - MULCHING	15	TCU38142 HUB
3	TCU31159 BELT - CENTER DECK	16	TCU51223 DEFLECTOR
4	TCA20363 WHEEL & TIRE ASSEMBLY	17	M85699 SEAL
5	M115245 ROLLER	18	M169375 BALL BEARING
6	TCA19935 HYDRAULIC MOTOR	19	M163058 SPACER
7	M83541 BUSHING - TOP & BOTTOM	20	M163060 WASHER
8	M85178 SPACERS	21	M127198 SEAL
9	TCU51773 GUARD	22	M134382 SPINDLE
10	M115827 QUICK LOCK PIN	23	M163053 DEFLECTOR
11	TCU31399 SHEAVE	24	M123522 WASHER
12	TCA51121 IDLER SHEAVE			

Frequently Used Items

Qty	Part No.	Item
3	TCA24881	Spindle Assembly
3	TCU51118	Blade - Standard
3	M144935	Blade - Mulching
1	TCU31159	Belt - Center Deck

42 in. Left & Right, Side Wing decks 1600 Turbo Series III



Key	Part No.	Description	Key	Part No.	Description
1	TCA24881	SPINDLE KIT ASSEMBLY	11	TCA20656	IDLER SHEAVE - LEFT & RIGHT DECK
2	TCU51118	BLADE (STD)	12	TCA51121	IDLER SHEAVE - LEFT & RIGHT DECK
	M144935	BLADE - MULCHING	13	TCU38142	HUB
3	TCU14539	BELT - LEFT WING DECK	14	TCU51223	DEFLECTOR
	TCU14538	BELT - RIGHT WING DECK	15	M85699	SEAL
4	TCA20363	WHEEL & TIRE ASSEMBLY	16	M169375	BALL BEARING
5	TCA19935	HYDRAULIC MOTOR	17	M163058	SPACER
6	M83541	BUSHING - TOP & BOTTOM	18	M163060	WASHER
7	M85178	SPACER	19	M127198	SEAL
8	TCU51773	GUARD	20	M134382	SPINDLE
9	M115827	QUICK LOCK PIN	21	M163053	DEFLECTOR
10	TCU31399	SHEAVE - LEFT & RIGHT DECK	22	M123522	WASHER

Frequently Used Items

Qty	Part No.	Item
2	TCA24881	Spindle Assembly
2	TCU51118	Blade - Standard
2	M144935	Blade - Mulching
1	TCU14539	Belt - Left
1	TCU14538	Belt - Right