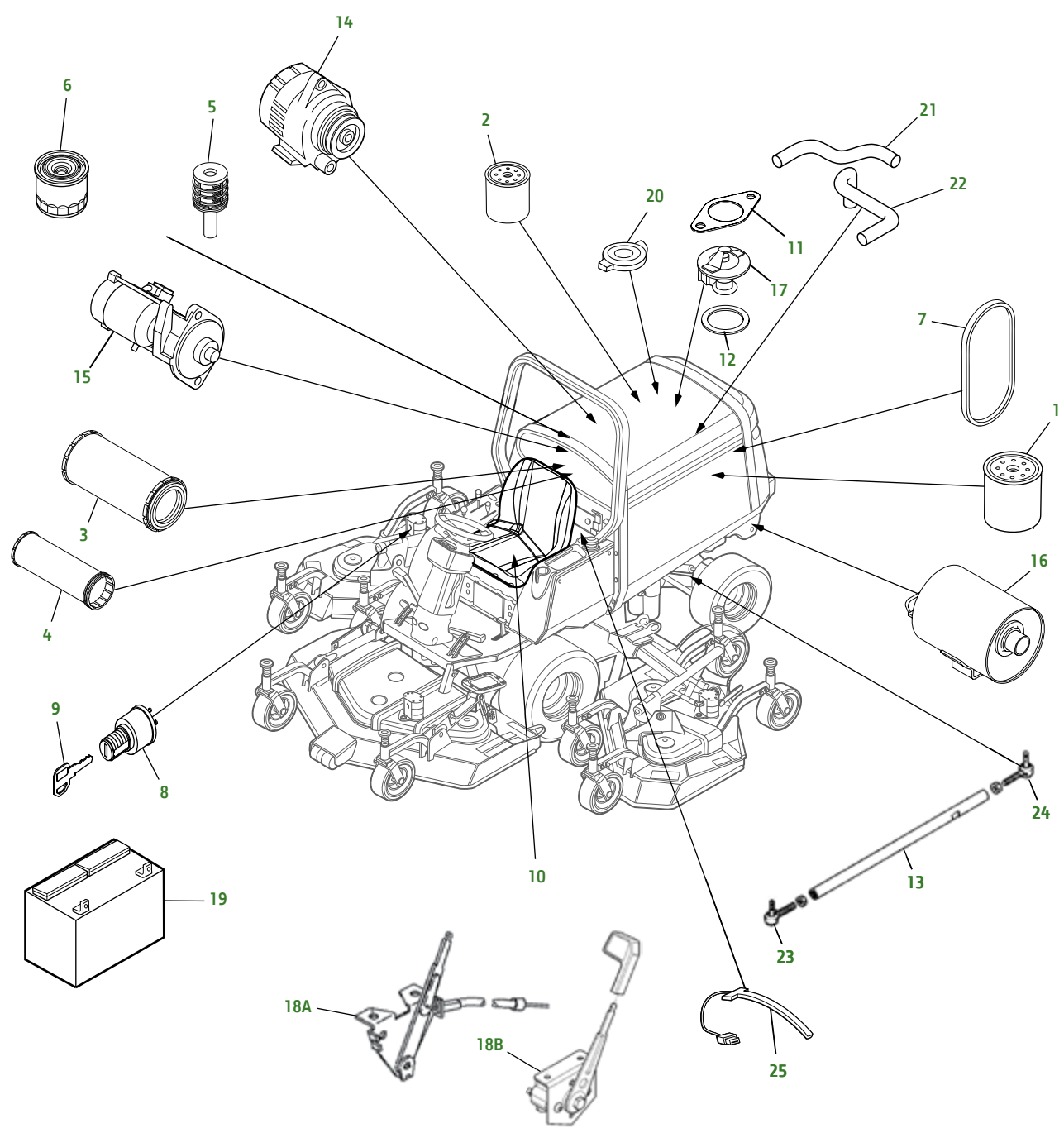


1600 Turbo Series II



1600 Turbo Series II (Continued)

Key	Part No.	Description	Key	Part No.	Description
1	M806419	ENGINE OIL FILTER	17	M811034	THERMOSTAT
2	AL221066	HYDRAULIC FILTER	18a	AMT2416	THROTTLE CABLE - (S/N -090000)
3	AP33330	AIR FILTER - PRIMARY	18b	TCA19988	THROTTLE CABLE - (S/N 090001-)
4	AP33331	AIR FILTER - SECONDARY	19	TY25272	BATTERY
5	M811032	FUEL FILTER ELEMENT	20	AT173610	RADIATOR CAP
6	MIU800645	FUEL FILTER	21	TCU15273	RADIATOR HOSE - UPPER
7	M801821	FAN BELT	22	TCU18228	RADIATOR HOSE - LOWER
8	TCA22740	IGNITION SWITCH	23	AM878082	TIE ROD END - LH
9	AM131841	IGNITION KEY	24	AM878081	TIE ROD END - RH
10	TCA19982	SEAT	25	TCU12951	SEAT SWITCH
11	M805834	GASKET - UPPER			
12	M805835	GASKET - LOWER			
13	M800428	TIE ROD TUBE			
14	AM880701	ALTERNATOR			
15	RG60654	STARTER MOTOR			
16	MIU800429	MUFFLER			

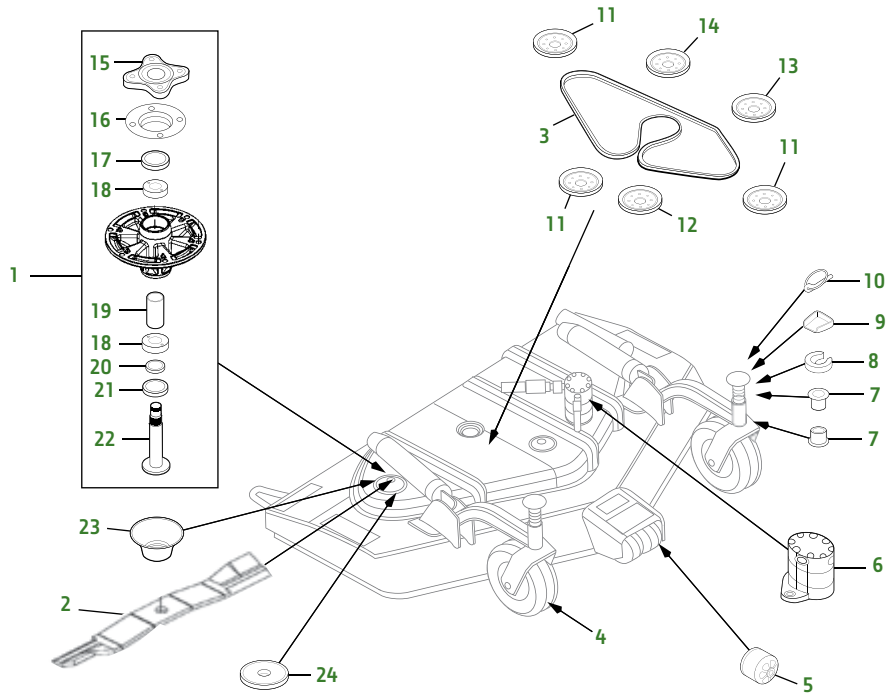
Parts Needed in First 200 Hours of Operation

Qty	Part No.	Item	Capacity	Interval In Hours
2	M806419	Engine Oil Filter	1	50/200
1	TY26804	Torq-Gard™ 5W-30 Engine Oil - 5 gal - 1600 Turbo Series II	7.8 qt	50/200
1	AL221066	Hydraulic Filter	1	50
2	TY22062	Hy-Gard™ Transmission Fluid - 2.5 gal	3.5 gal	50
1	TY6341	Multi-Purpose SD Polyurea Grease (14 oz)		As Needed

Capacities

Engine Oil (with Filter)	7.4 L (7.8 qt.)
Coolant	7.5 L (8.0 qt.)
Hydraulic System	58.7 L (15.5 gal.)
Hydrostatic Transmission	13.3 L (3.5 gal.)
Rear Axle	4.7 L (5 qt.)
Grease Gun	TY26518

62 in. Front-Mount, Rear Discharge deck 1600 Turbo Series II

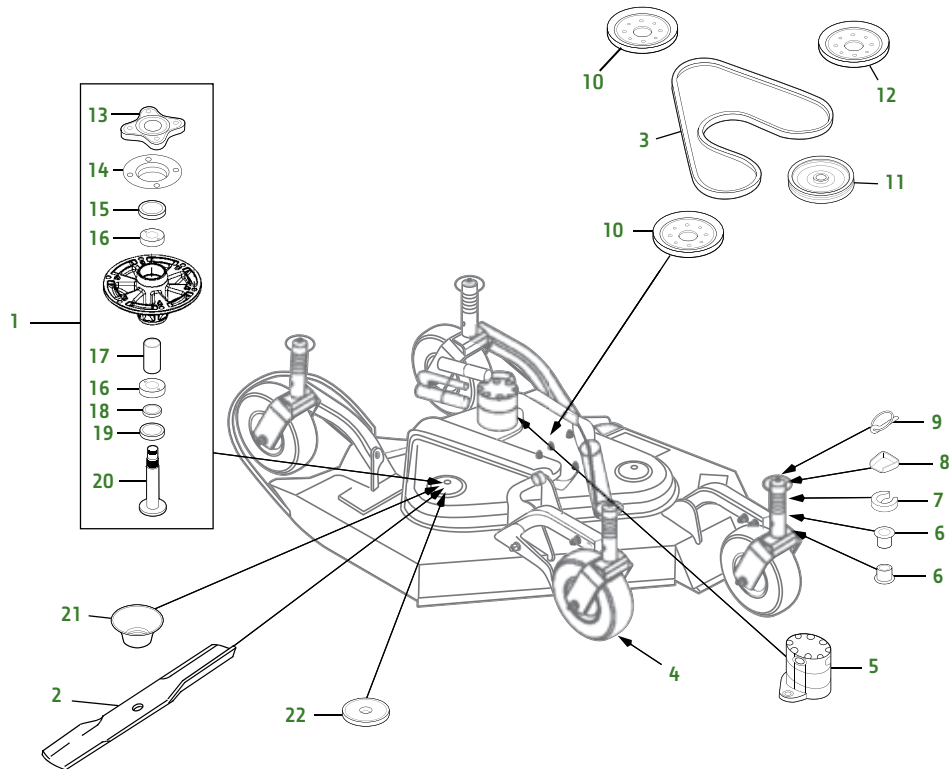


Key	Part No.	Description	Key	Part No.	Description
1	TCA24881 SPINDLE ASSEMBLY	12	TCA51121 IDLER SHEAVE
2	TCU51118 BLADE (STD)	13	AN15237 IDLER SHEAVE
	M144935 BLADE - MULCHING	14	TCA20656 SHEAVE
3	TCU14537 BELT - CENTER DECK - (S/N -100006)	15	TCU38142 HUB
	TCU31159 BELT - CENTER DECK - (S/N 100007-)	16	TCU51223 DEFLECTOR
4	TCA13832 WHEEL & TIRE ASSEMBLY - (S/N -090000)	17	M85699 SEAL
	TCA20363 WHEEL & TIRE ASSEMBLY - (S/N 090001-)	18	M88251 BALL BEARING
5	M115245 ROLLER	19	M163058 SPACER
6	TCA19935 HYDRAULIC MOTOR	20	M163060 BUSHING
7	M83541 BUSHING - TOP & BOTTOM	21	M127198 SEAL
8	M85178 SPACERS	22	M134382 SPINDLE
9	TCU51773 GUARD	23	M163053 DEFLECTOR
10	M115827 QUICK LOCK PIN	24	M123522 WASHER
11	TCU51050 SHEAVE - (S/N -090000)			
	TCU31399 SHEAVE - (S/N 090001-)			

Frequently Used Items

Qty	Part No.	Item
3	TCA24881	Spindle Assembly
3	TCU51118	Blade - Standard
3	M144935	Blade - Mulching
1	TCU14537	Belt - Center Deck - (S/N -100006) - 1600 Turbo Series II
1	TCU31159	Belt - Center Deck - (S/N 100007-) - 1600 Turbo Series II

42 in. Left & Right, Side Wing decks 1600 Turbo Series II



Key	Part No.	Description	Key	Part No.	Description
1	TCA24881 SPINDLE KIT ASSEMBLY	10	TCU51050 SHEAVE - LEFT & RIGHT DECK - (S/N -090000)
2	TCU51118 BLADE (STD)		TCU31399 SHEAVE - LEFT & RIGHT DECK - (S/N 090001-)
	M144935 BLADE - MULCHING	11	TCA20656 IDLER SHEAVE - LEFT & RIGHT DECK
3	TCU14539 BELT - LEFT WING DECK	12	TCA51121 IDLER SHEAVE - LEFT & RIGHT DECK
	TCU14538 BELT - RIGHT WING DECK	13	TCU38142 HUB
4	TCA13832 WHEEL & TIRE ASSEMBLY - (S/N -090000)	14	TCU51223 DEFLECTOR
	TCA20363 WHEEL & TIRE ASSEMBLY - (S/N 090001-)	15	M85699 SEAL
5	TCA19935 HYDRAULIC MOTOR	16	M88251 BALL BEARING
6	M83541 BUSHING - TOP & BOTTOM	17	M163058 SPACER
7	M85178 SPACER	18	M163060 BUSHING
8	TCU51773 GUARD	19	M127198 SEAL
9	M115827 QUICK LOCK PIN	20	M134382 SPINDLE
			21	M163053 DEFLECTOR
			22	M123522 WASHER

Frequently Used Items

Qty	Part No.	Item
2	TCA24881	Spindle Assembly
2	TCU51118	Blade - Standard
2	M144935	Blade - Mulching
1	TCU14539	Belt - Left
1	TCU14538	Belt - Right