

1420 / 1435 / 1445 / 1545 / 1565

Key	Part No.	Description	Key	Part No.	Description
1	M806418	OIL FILTER ELEMENT - 1420/1435	12	TCA14949	SEAT ASSEMBLY - COMPLETE
	M806419	OIL FILTER ELEMENT - 1445/1545/1565		AL116978	SEAT CUSHION - BOTTOM
2	M146082	TRANSMISSION OIL FILTER		AL116979	SEAT CUSHION - BACK
3	M801101	FUEL FILTER ELEMENT - 1445/1545 (S/N —020000)/1565 (S/N —030000)		AL68100	ARMREST - LH
	MIU800645 . . .	FUEL FILTER ELEMENT - 1545 (S/N 020001—)/ 1565 (S/N 030001—)		AL114686	ARMREST - RH
	AM876035	FUEL FILTER ELEMENT - 1420	13	M811304	THERMOSTAT - 1445/1545/1565
	CH15553	FUEL FILTER ELEMENT - 1435		M805834	GASKET - UPPER - 1445/1545/1565
4	M131802	AIR FILTER ELEMENT - OUTER		M805835	GASKET - LOWER - 1445/1545/1565
5	M131803	AIR FILTER ELEMENT - INNER		CH15536	THERMOSTAT - 1420/1435
6	M805441	BELT - ALTERNATOR - 1445/1545		M805702	THERMOSTAT GASKET - 1420/1435
	M800347	BELT - ALTERNATOR - 1420/1435	14	AM128175	POWER STEERING CYL - 1420/1435/1445
	RG60467	BELT - ALTERNATOR - 1565		TCA13984	POWER STEERING CYL - 1545/1565
7	TCA15075	IGNITION SWITCH	15	AM128259	DECK LIFT CYL - 1420 (S/N —030000)/ 1435 (S/N —030000)/1445 (S/N —030000)/ 1565 (S/N —020000)
	AM131841	KEY		TCA13394	DECK LIFT CYL - 1420 (S/N 030001—)/ 1435 (S/N 030001—)/1445 (S/N 030001—)/ 1545/1565 (S/N 020001—)
8	TY25881	BATTERY - DRY	16	TCA12032	THROTTLE CABLE
9	TY22551	HOSE - FUEL		TCA12033	CHOKE CABLE - 1420
	TY22462	CLAMPS - FUEL LINE	17	M805853	SPARK PLUG
10	AT118553	AIR RESTRICTION INDICATOR	18	TCA10095	MUFFLER
11	AM878081	TIE ROD END - RH ON 4WD, LH & RH ON 2WD		TCA13626	SPARK ARRESTOR
	AM878082	TIE ROD END - LH ON 4WD		AN152143	CLAMP

Parts Needed in First 250 Hours of Operation

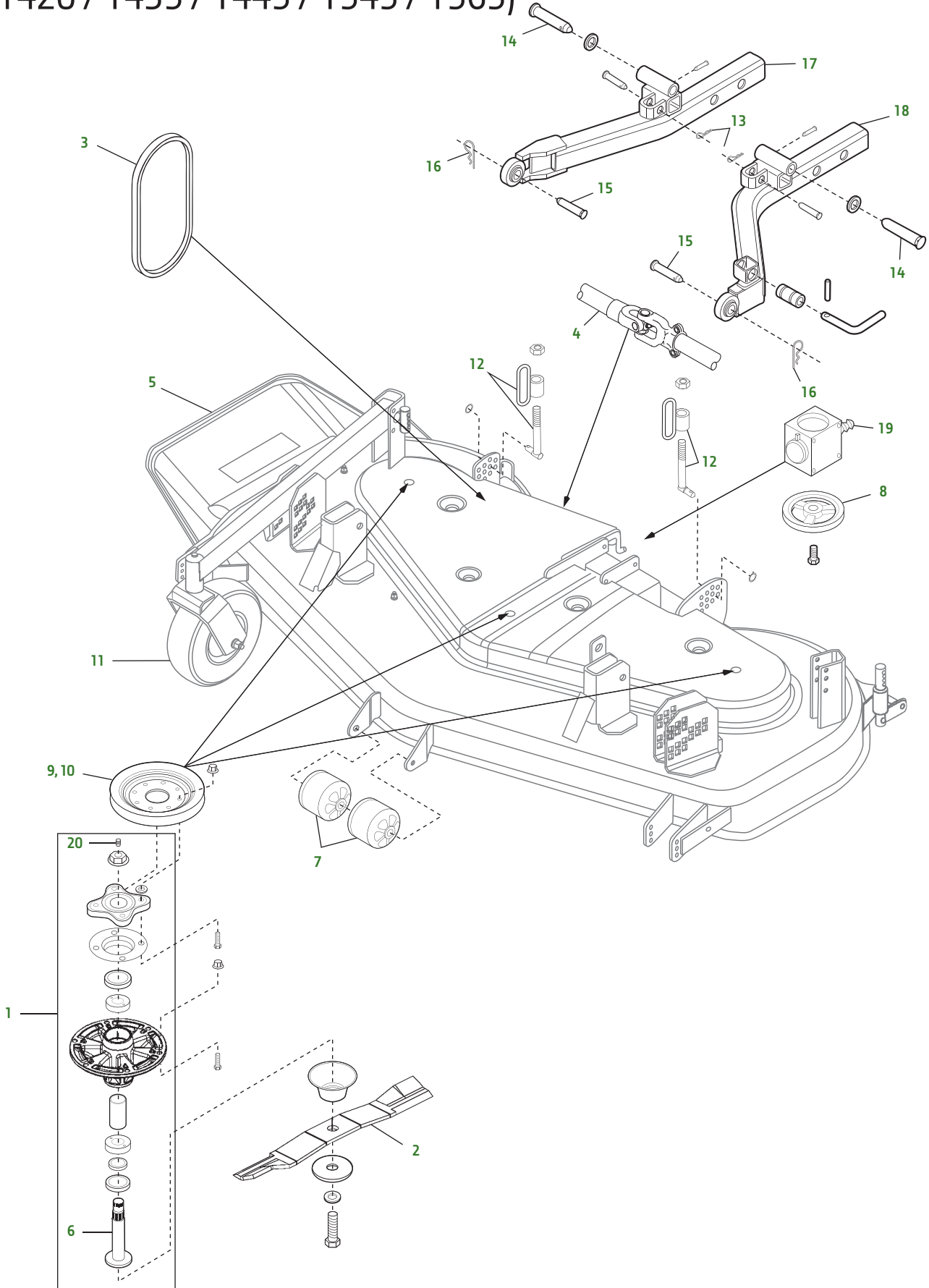
Qty	Part No.	Item	Capacity	Interval In Hours
2	M806418	Engine Oil Filter - 1420/1435		10/200
2	M806419	Engine Oil Filter - 1445/1545/1565		10/200
1 1 1	TY26675	Plus-50 II 15W-40	1420, 1435 - 3.3 qt 1445 - 3.8 qt 1445, 1545, 1565 - 5.1 qt	10/200
1	M146082	Hydraulic Oil Filter		50
9 10	TY22000	1 US gal Hy-Gard Transmission Fluid	2WD - 9.0 qt 4WD - 9.2 qt	50
1	AM876035	Fuel Filter - 1420/1545 (S/N —020000)/1565 (S/N —030000)		200
1	MIU800645	Fuel Filter - 1445		200
1	MIU800645	Fuel Filter - 1545 (S/N 020001—)/1565 (S/N 030001—)		200
1	CH15553	Fuel Filter - 1435		200
3	TY6341	Multi-Purpose SD Polyurea Grease (14 oz)		As Needed

Frequently Used Items

Qty	Part No.	Item
1	M131802	Air Filter Element - Outer
1	M131803	Air Filter Element - Inner
3	M805853	Spark Plug
2	TY25081	1 US gal Cool-Gard - Prediluted 1420/1435 - Cap 7.0 qt 1445/1545/1565 - Cap 7.5 qt
2	TY6382	1 US gal GL-5 80W90 Gearlube MFWD Axle - Cap 5.0 qt
1	M805441	Belt - Alternator - 1445/1545
1	M800347	Belt - Alternator - 1420/1435
1	RG60467	Belt - Alternator - 1565
1	AM131841	Key - Ignition
1	TCA12439	Filler Cap
1	AM130907	Mower Deck Leveling Gauge

Qty	Part No.	Item
1	TY26183	Grease Gun
3	M144196	Blades — 60 in (STD)
3	M131958	Blades - Mulching — 60 in
3	TCU51118	Blades — 62 in (STD)
3	M144297	Blades - Mulching — 62 in
3	TCU15882	Blades - Side — 72 in
3	M142514	Blades - Mulching — 72 in
3	EPC201693	Blades - Rear — 72 in
1	TCU12497	Belt — 60 in
1	TCU14356	Belt — 62 in
1	TCU12440	Belt - Side — 72 in
1	EPC201624	Belt - Rear — 72 in

60 in. / 72 in. Side Discharge 7-Iron & Rear Discharge deck (1420 / 1435 / 1445 / 1545 / 1565)



60 in. / 72 in. Side Discharge 7-Iron & Rear Discharge deck (1420 / 1435 / 1445 / 1545 / 1565)

Key	Part No.	Description	Key	Part No.	Description
1	TCA51058. . . .	SPINDLE ASSEMBLY — 60 in	10	TCA17524. . . .	IDLER - SHEAVE — 60 in & 62 in
	TCA13807. . . .	SPINDLE ASSEMBLY — 62 in		TCA20656. . . .	IDLER - SHEAVE - SIDE & REAR — 72 in
	TCA51058. . . .	SPINDLE ASSEMBLY — 72 in		AN123224	IDLER - SHEAVE - REAR ONLY — 72 in
2	TCU15881	BLADE - HIGH LIFT — 60 in	11	AM101589	†WHEEL & TIRE ASSEMBLY
	M133381	BLADE - LOW LIFT — 60 in			60 in (S/N —010808)/62 in (S/N —010291)/
	M131958	BLADE - MULCHING — 60 in			SIDE — 72 in (S/N —013067), REAR — 72 in
	TCU51118	BLADE — 62 in (STD)		TCA13832. . . .	‡WHEEL & TIRE ASSEMBLY
	M144297	BLADE - LOW LIFT — 62 in			60 in (S/N 010809—)/62 in (S/N 010292—)/
	TCU15882	BLADE - HIGH LIFT - SIDE — 72 in			SIDE — 72 in (S/N 013068—)
	M141669	BLADE - LOW LIFT — 72 in	12	AM116980	LINK
	M142514	BLADE - MULCHING — 72 in		M96100	LIFT LINK
	EPC201693 . . .	BLADE - HIGH LIFT - REAR — 72 in	13	J16931	SPRING LOCKING PIN
3	TCU21054	BELT - NA — 60 in	14	R58262	PIN
	TCU13401	BELT - EXPORT — 60 in	15	F2679R	PIN — 60 in & 72 in
	TCU14356	BELT — 62 in		M87922	PIN — 62 in
	TCU19900	BELT - NA - SIDE — 72 in	16	A3581R	SPRING LOCKING PIN — 60 in
	TCU13402	BELT - EXPORT - SIDE — 72 in		R58262	SPRING LOCKING PIN - SIDE — 72 in
	EPC201624 . . .	BELT - REAR — 72 in		A15147	SPRING LOCKING PIN — 62 in
4	TCA12282. . . .	DRIVE SHAFT - NA - SIDE — 60 in & 72 in		A15146	SPRING LOCKING PIN - REAR — 72 in
	TCA15196. . . .	DRIVE SHAFT - EXPORT — 60 in & NA — 62 in	17	TCA10140. . . .	LIFT ARM - RH — 60 in
	EPC201691 . . .	DRIVE SHAFT - REAR — 72 in		TCA14230. . . .	LIFT ARM - RH — 62 in
5	AM128244	CHUTE		TCA12171. . . .	LIFT ARM - RH - SIDE — 72 in
6	M134382	SPINDLE		EPC201642 . . .	LIFT ARM - RH - REAR — 72 in
7	M115245	ROLLER	18	TCA10141. . . .	LIFT ARM - LH — 60 in
8	TCA16320. . . .	SHEAVE - GEARBOX - NA — 60 in		TCA12172. . . .	LIFT ARM - LH - NA — 62 in
	M141694	SHEAVE - GEARBOX EXPORT — 60 in		TCA12172. . . .	LIFT ARM - LH - SIDE — 72 in
	M141695	SHEAVE - GEARBOX — 62 in		EPC201643 . . .	LIFT ARM - LH - REAR — 72 in
	TCA15667. . . .	SHEAVE - GEARBOX - NA - SIDE — 72 in	19	DE19150	GEARBOX — 60 in & SIDE — 72 in
	TCU51522	SHEAVE - GEARBOX EXPORT - SIDE — 72 in		DE18615	GEARBOX — 62 in & REAR — 72 in
	EPC201669 . . .	SHEAVE - GEARBOX - NA - REAR — 72 in	20	JD7849	LUBRICATION FITTING
	EPC204387 . . .	SHEAVE - GEARBOX EXPORT - REAR — 72 in			
9	TCU21055	SHEAVE - BLADE SPINDLE — 60 in			
	TCU15036	SHEAVE - BLADE SPINDLE — 62 in			
	TCU51522	SHEAVE - BLADE SPINDLE — 72 in			

† Replace with same to keep mower deck level.

‡ To Replace AM101589, do both sides to keep mower deck level.

Frequently Used Items

Qty	Part No.	Item
3	TCA13807	Spindle Assembly — 60 in
3	TCA13807	Spindle Assembly — 62 in
3	TCA51058	Spindle Assembly — 72 in
3	TCU15881	Blades - High Lift — 60 in
3	M133381	Blades - Low Lift — 60 in
3	M131958	Blades - Mulching — 60 in
3	TCU51118	Blades (STD) — 62 in
3	M144297	Blades - Mulching — 62 in
3	TCU15882	Blades - Side — 72 in
3	M142514	Blades - Mulching — 72 in
3	EPC201693	Blades - Rear — 72 in
1	TCU12497	Belt — 60 in
1	TCU14356	Belt — 62 in
1	TCU12440	Belt - Side — 72 in
1	EPC201624	Belt - Rear — 72 in