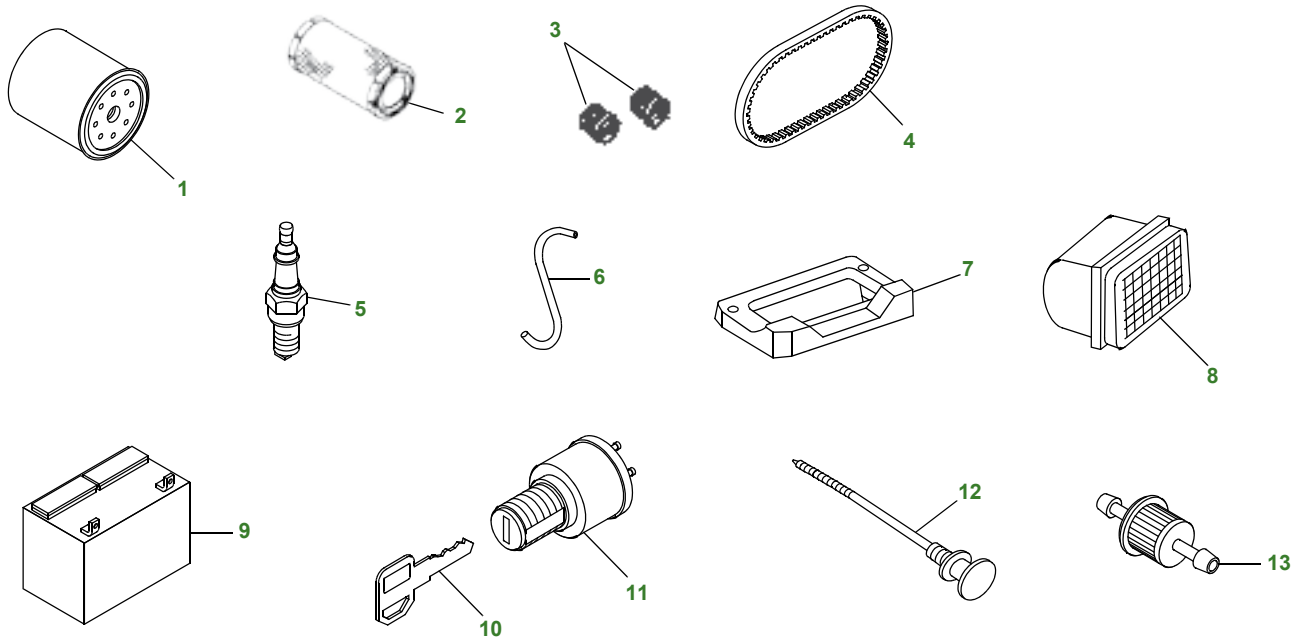


1200A Bunker and Field Rake

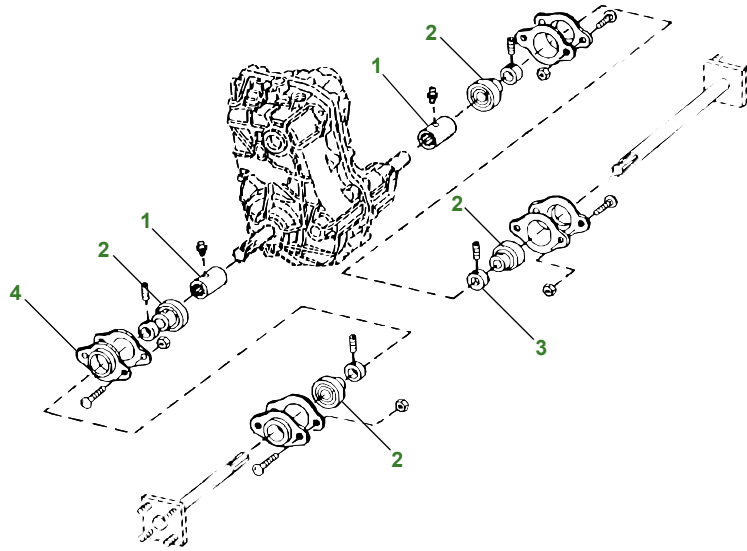


Key	Part No.	Description	Key	Part No.	Description
1	AM107423ENGINE OIL FILTER	9	TY25220BATTERY (S/N -190000)
2	M113621ENGINE AIR FILTER		TY25221BATTERY (S/N 190001-)
	M123378ENGINE AIR FILTER - PRIMARY	10	TCA22740SWITCH
3	AW26476HYDRAULIC OIL FILTER	11	AM131841KEY
4	MT2748BELT (S/N -925552)	12	AM129722CHOKE CABLE
	RE28721BELT (S/N 925553-)	13	AM116304FUEL FILTER
5	M802138SPARK PLUG			
6	TY22551FUEL LINE			
7	M76053COVER - BATTERY			
8	AW27203HEADLIGHT ASSY (S/N -190000)			
	TCA21751HEADLIGHT ASSY (S/N 190001-)			
	RE30948BULB			

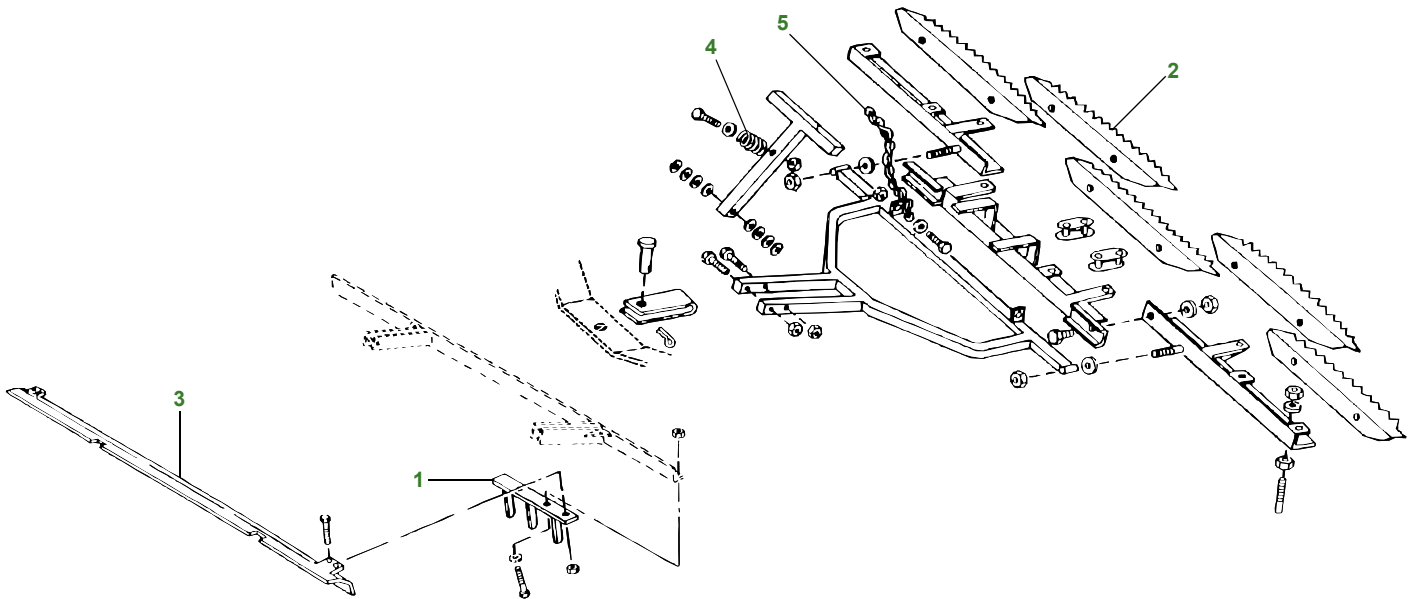
Parts Needed in First 200 hours of Operation

Qty	Part No.	Item	Capacity	Interval In Hours
3	AM107423	Engine Oil Filter		10/100/200
5	TY22029	TURF-GARD™ 10W-30 Engine Oil - 1 qt	1.4 qt	10/100/200
3	TY6341	John Deere Multi-Purpose SD Polyurea Grease (14 oz)		As Needed
1	M802138	Spark Plug		200

1200A Bunker and Field Rake (Continued)



Key	Part No.	Description	Key	Part No.	Description
1	ET15277ADAPTOR	3	JD8554LOCKING COLLAR
2	JD8665BALL BEARING	4	M66125FLANGED HOUSING



Key	Part No.	Description	Key	Part No.	Description
1	AET10644NARROW INTERVAL	3	AET10756BLADE
	AET10702WIDE INTERVAL	4	ET15634COMPRESSION SPRING
2	TCU17594BLADE - BUNKER RAKE SERRATED	5	ET15855LINK CHAIN
	ET15235BLADE - FIELD RAKE SMOOTH			