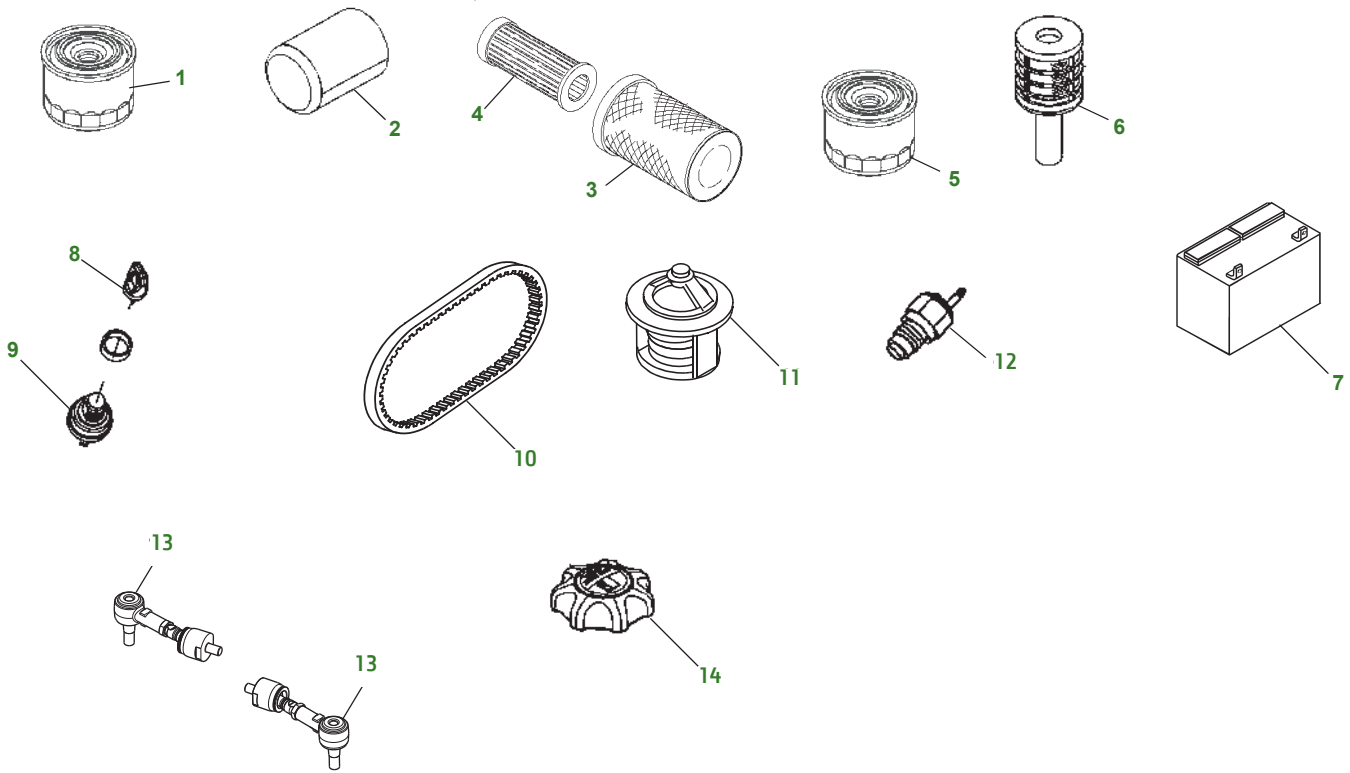


# 9009A TerrainCut™ Rough Mower

Rough Intermediates and Surrounds



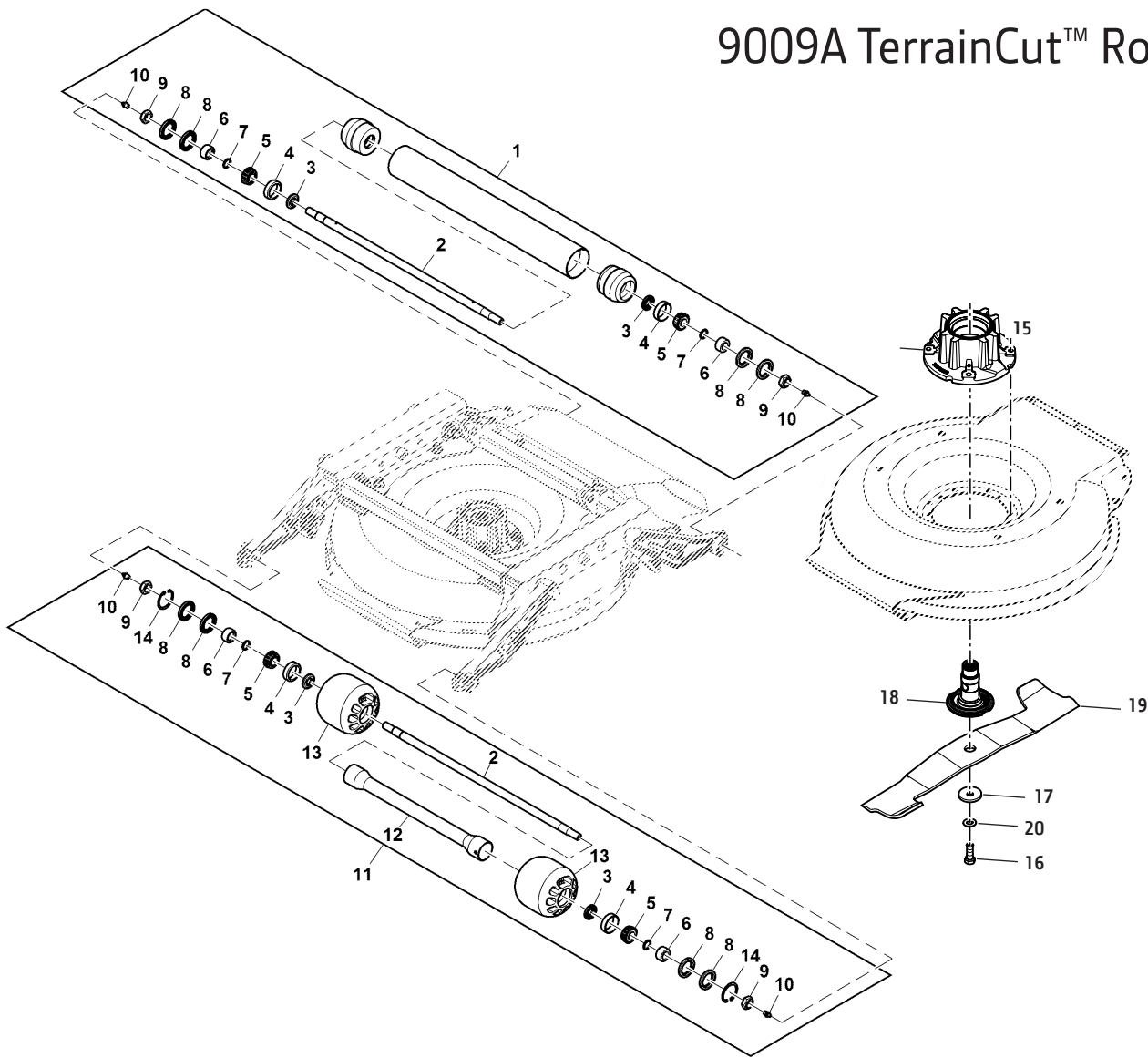
Key	Part No.	Description	Key	Part No.	Description
1	M806419	ENGINE OIL FILTER	10	LVU11662	BELT - WATER PUMP
2	RE69054	HYDRAULIC OIL FILTER		TCU30780	BELT - FAN
3	RE68048	AIR FILTER ELEMENT - PRIMARY	11	M811034	THERMOSTAT
4	RE68049	AIR FILTER ELEMENT - SECONDARY	12	AMT2465	ENGINE COOLANT SENSOR
5	MIU803127	FUEL FILTER	13	TCA23641	TIE ROD ENDS
6	MIU803126	WATER FUEL SEPARATOR	14	TCA24601	FILLER CAP
7	TY25876	BATTERY			
8	AM125504	KEY			
9	TCA22740	SWITCH (S/N -040000)			
	UC10104	SWITCH (S/N 040001-)			

## Parts Needed in First 200 hours of Operation

Qty	Part No.	Item	Capacity	Interval In Hours
2	M806419	Engine Oil Filter		50/200
3	TY26673	Plus-50™ II 15W-40 Engine Oil - 1 gal	6.0 qt	50/200
1	RE69054	Hydraulic Oil Filter		50
3	TY25083	John Deere Special Purpose Golf and Turf Cutting Unit Grease (14 oz) (Cutting Unit and Cutting Unit Attachments)		As Needed
3	TY6341	John Deere Multi-Purpose SD Polyurea Grease (14 oz) (Machine components, lift arms and rollers)		As Needed

\*Refer to Operators Manual for service intervals if using BioDiesel Fuel and Bio Hy-Gard.

# 9009A TerrainCut™ Rotary Deck



Rough Intermediates and Surrounds

Key	Part No.	Description	Key	Part No.	Description
1	TCA25970	ROLLER	15	TCU32112	HOUSING
2	TCU39718	SHAFT	16	TCU28104	BOLT
3	MT739	SEAL	17	M147138	WASHER
4	JD8226	BEARING CUP	18	TCU39253	ADAPTER
5	JD8188	BEARING CONE	19	TCU38740	MOWER BLADE - LOW LIFT
6	ET15726	SLEEVE		TCU27401	MOWER BLADE
7	U46731	O-RING		TCU27876	MOWER BLADE - MULCH
8	ET15755	SEAL	20	TCU27937	WASHER
9	N101345	LOCK NUT			
10	JD7759	LUBRICATION FITTING			
11	TCA25911	ROLLER			
12	TCA25913	SPACER			
13	TCU38614	ROLLER			
14	40M1863	SNAP RING			