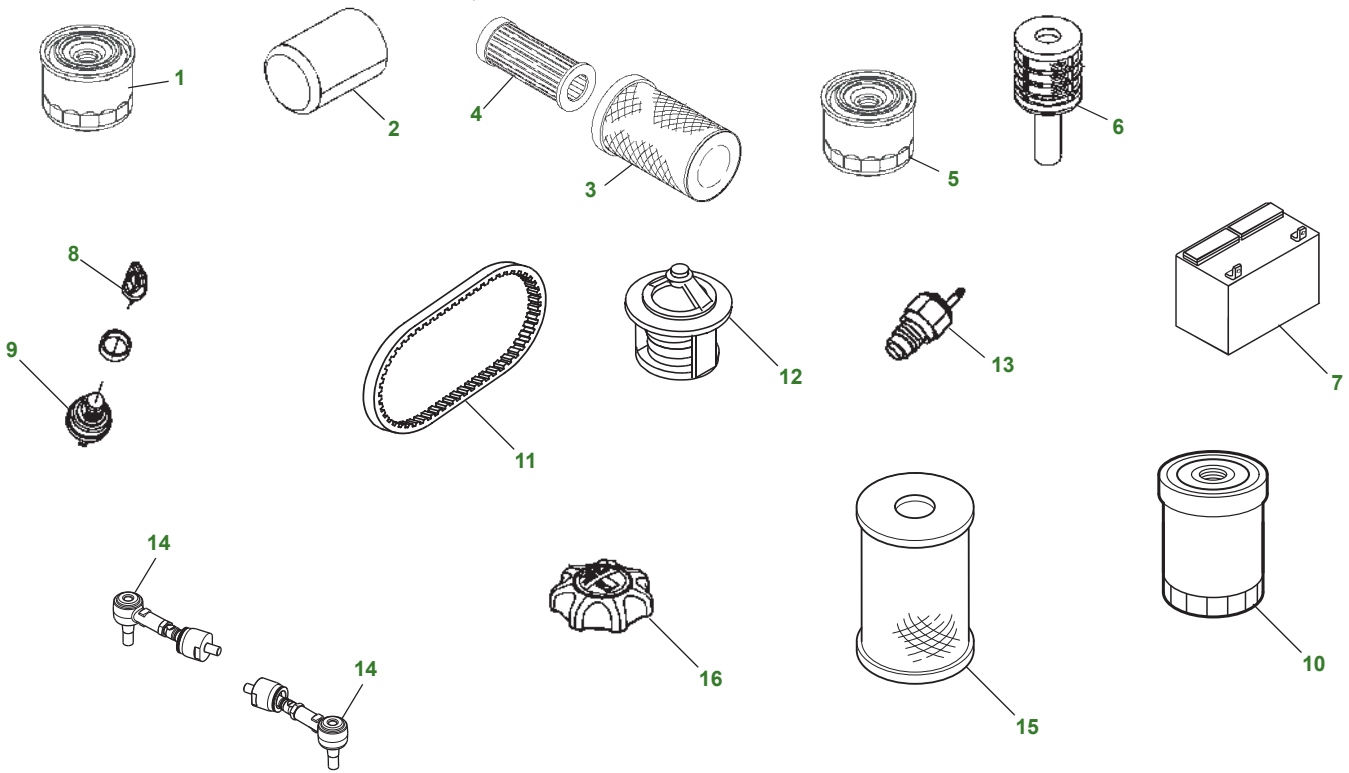


8800A TerrainCut™ Mower

Rough Intermediates and Surrounds



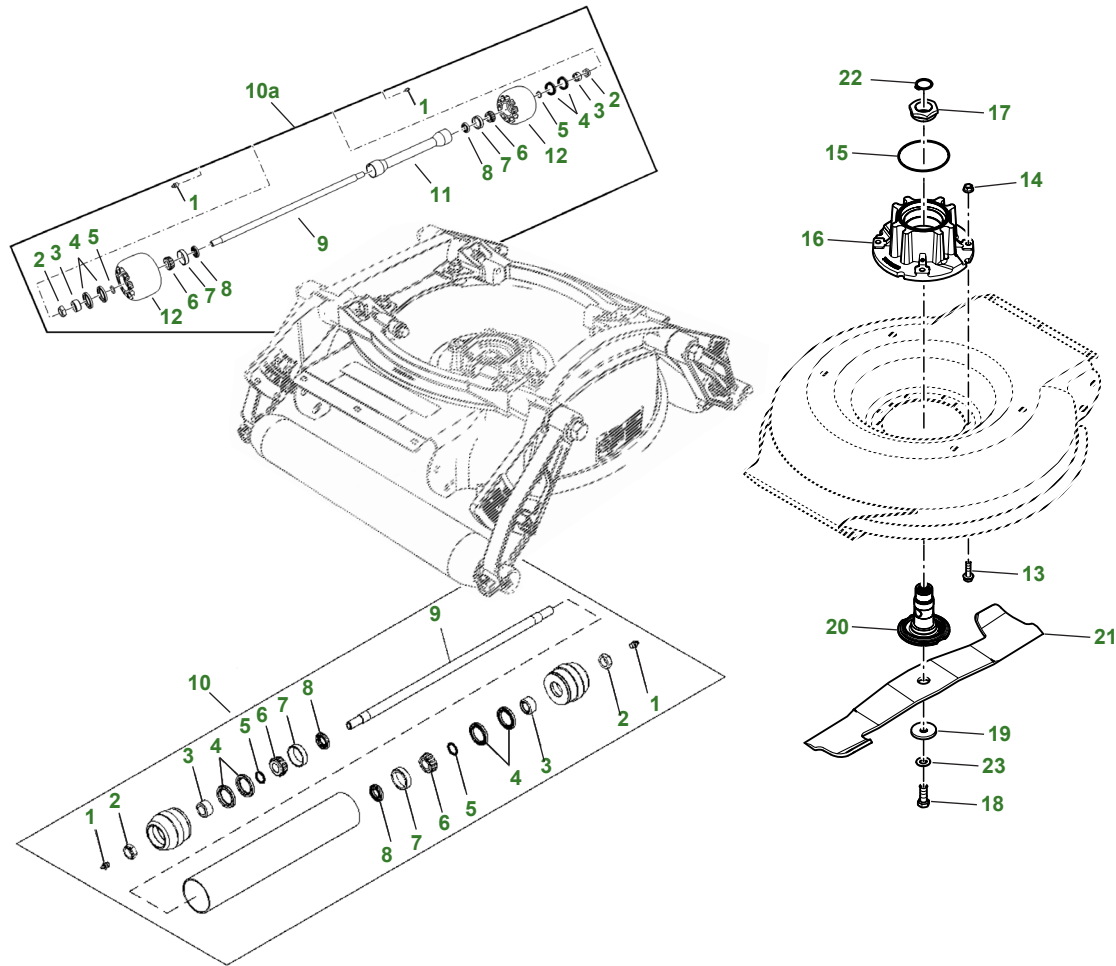
Key	Part No.	Description	Key	Part No.	Description
1	M806419	ENGINE OIL FILTER	10	MIU803127	FUEL FILTER - FINAL - TIER 4
2	RE69054	HYDRAULIC OIL FILTER	11	TCU38089	BELT - FAN
3	RE68048	AIR FILTER ELEMENT - PRIMARY		TCU30780	BELT - FAN - TIER 4
4	RE68049	AIR FILTER ELEMENT - SECONDARY	12	M811034	THERMOSTAT
5	MIU800645	FUEL FILTER	13	CH15516	WATER TEMP SWITCH
6	M811032	FUEL SEPARATOR ELEMENT	14	TCA23641	TIE ROD ENDS
7	TY25876	BATTERY	15	MIU803126	FUEL FILTER - PRIMARY - TIER 4
8	AM125504	KEY	16	TCA24601	FILLER CAP
9	TCA22740	SWITCH (S/N -040000)			
	UC10104	SWITCH (S/N 040001-)			

Parts Needed in First 200 hours of Operation

Qty	Part No.	Item	Capacity	Interval In Hours
2	M806419	Engine Oil Filter		50/200
3	TY26673	Plus-50™ II 15W-40 Engine Oil - 1 gal	6.0 qt	50/200
1	RE69054	Hydraulic Oil Filter		50
3	TY25083	John Deere Special Purpose Golf and Turf Cutting Unit Grease (14 oz) (Cutting Unit and Cutting Unit Attachments)		As Needed
3	TY6341	John Deere Multi-Purpose SD Polyurea Grease (14 oz) (Machine components, lift arms and rollers)		As Needed

*Refer to Operators Manual for service intervals if using BioDiesel Fuel and Bio Hy-Gard.

8800A TerrainCut™ Rotary Deck



Rough Intermediates and Surrounds

Key	Part No.	Description	Key	Part No.	Description
1	JD7759LUBRICATION FITTING	14	14M7298FLANGE NUT
2	N101345LOCK NUT	15	H142234O-RING
3	ET15726SLEEVE	16	TCU32112HOUSING
4	ET15755SEAL	17	TCU27862NUT
5	U46731O-RING	18	TCU28104BOLT
6	JD8188BEARING CONE	19	M147138WASHER
7	JD8226BEARING CUP	20	TCU39253ADAPTER
8	MT739SEAL	21	TCU36461MOWER BLADE - LOW LIFT
9	TCU20818SHAFT		TCU32775MOWER BLADE - HIGH LIFT
10	TCA16183ROLLER - REAR		TCU32776MOWER BLADE - MEDIUM LIFT
10a	TCA26180ROLLER - FRONT		TCU32778MOWER BLADE - MULCH
11	TCA26181SPACER	22	M42702SNAP RING
12	TCU25955ROLLER (S/N -030000)	23	TCU27937WASHER
	TCU38614ROLLER (S/N 030001-)			
13	19M7897SCREW			