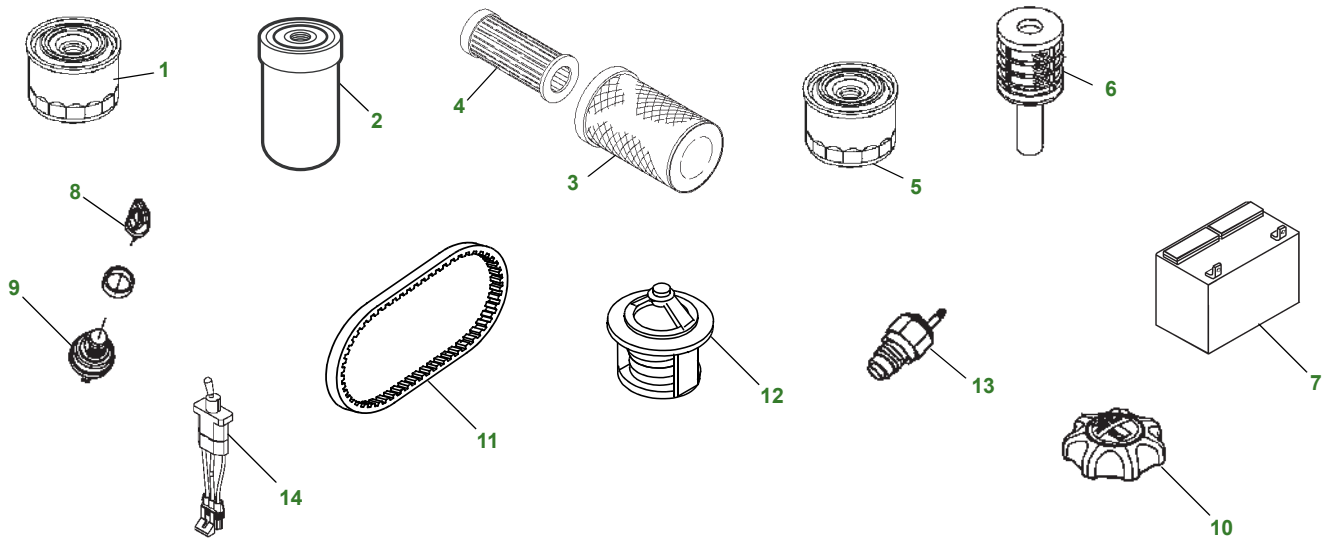


8000A E-Cut™ Hybrid Fairway Mower



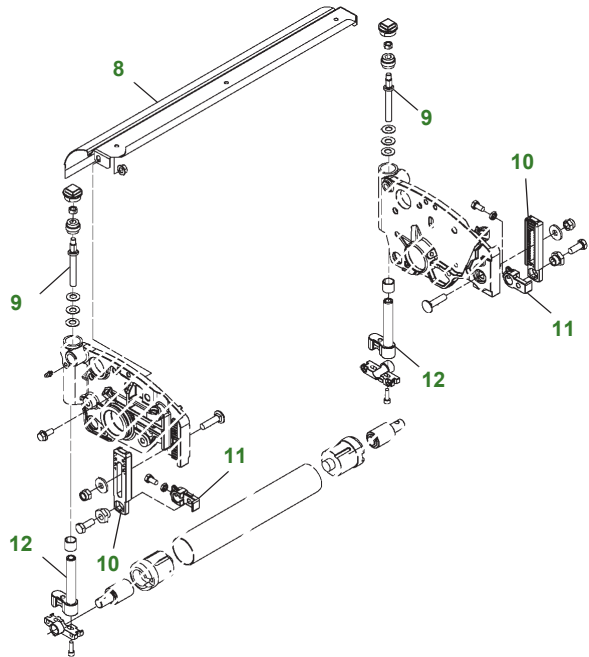
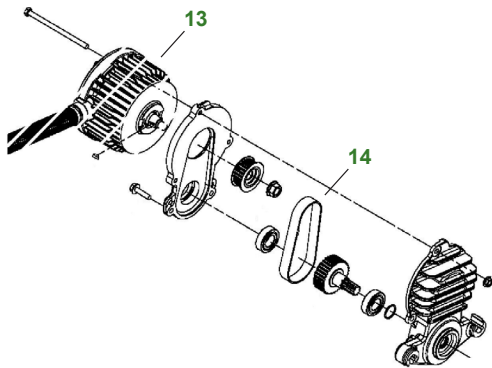
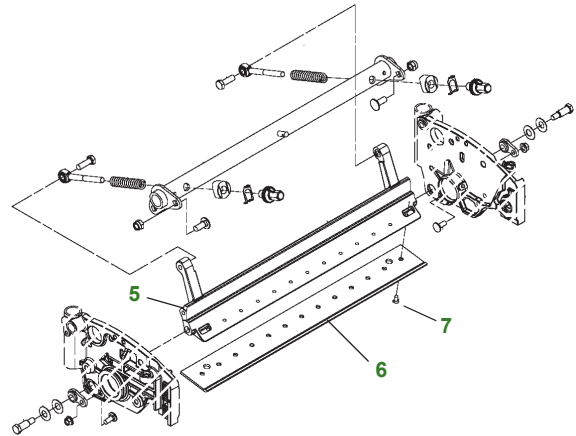
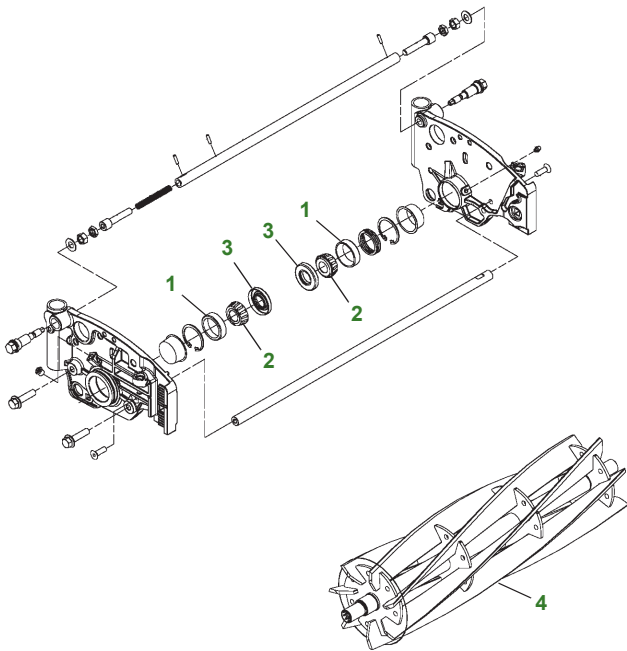
Key	Part No.	Description	Key	Part No.	Description
1	M806419	ENGINE OIL FILTER	11	TCU38089	BELT - FAN
2	RE69054	HYDRAULIC OIL FILTER		TCU30780	BELT - FAN - TIER 4
3	RE68048	AIR FILTER - PRIMARY	12	M811034	THERMOSTAT
4	RE68049	AIR FILTER - SECONDARY	13	CH15516	WATER TEMP SWITCH
5	MIU800645	FUEL FILTER	14	AXE27435	SOLENOID VALVE COIL
6	M811032	FUEL SEPARATOR ELEMENT			
7	TY25876	BATTERY			
8	AM125504	KEY			
9	TCA22740	SWITCH (S/N -040000)			
	UC10104	SWITCH (S/N 040001-)			
10	TCA24601	FILLER CAP			

Parts Needed in First 250 hours of Operation

Qty	Part No.	Item	Capacity	Interval In Hours
2	M806419	Engine Oil Filter		50/200
3	TY26673	Plus-50™ II 15W-40 Engine Oil - 1 gal	6.0 qt	50/200
1	RE69054	Hydraulic Oil Filter		50
3	TY25083	John Deere Special Purpose Golf & Turf Cutting Unit Grease (14 oz) (Cutting Unit and Cutting Unit Attachments)		As Needed
3	TY6341	John Deere Multi-Purpose SD Polyurea Grease (14 oz) (Machine components, lift arms and rollers)		As Needed

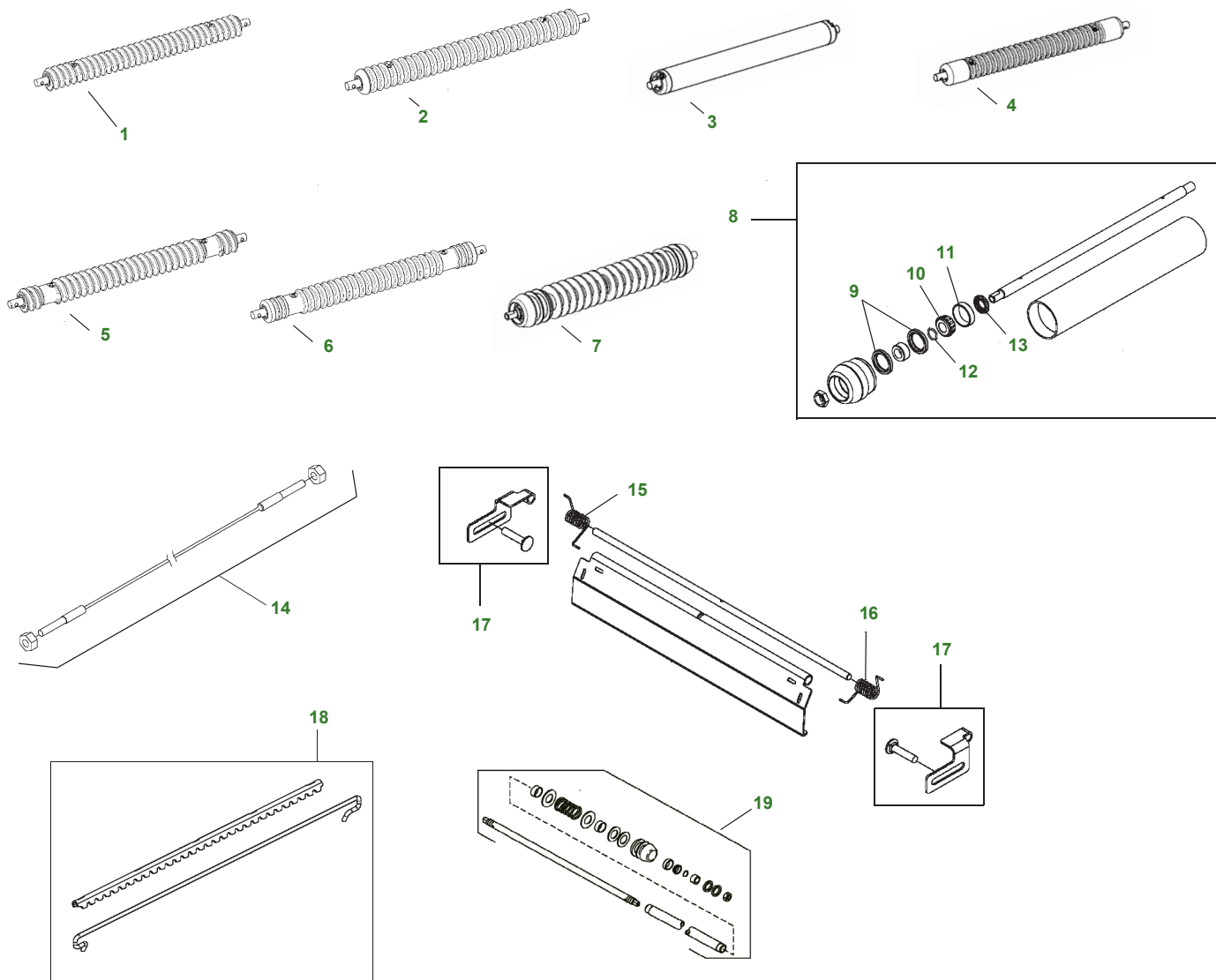
*Refer to Operators Manual for service intervals if using BioDiesel Fuel and Bio Hy-Gard.

8000A E-Cut™ Hybrid Reel Cutting Unit



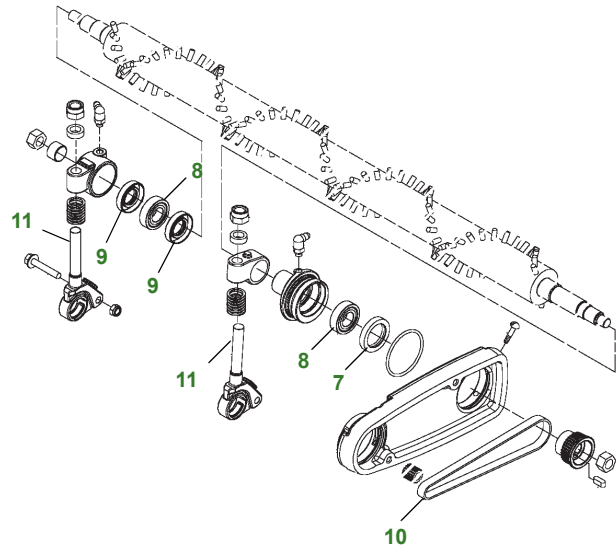
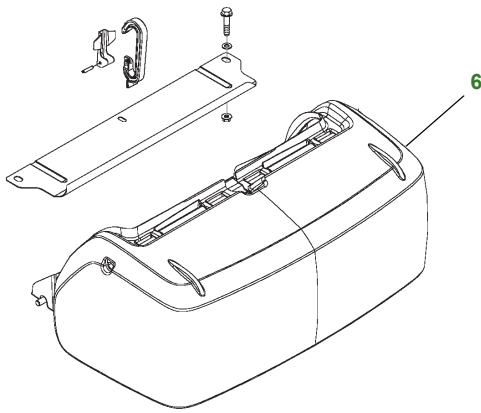
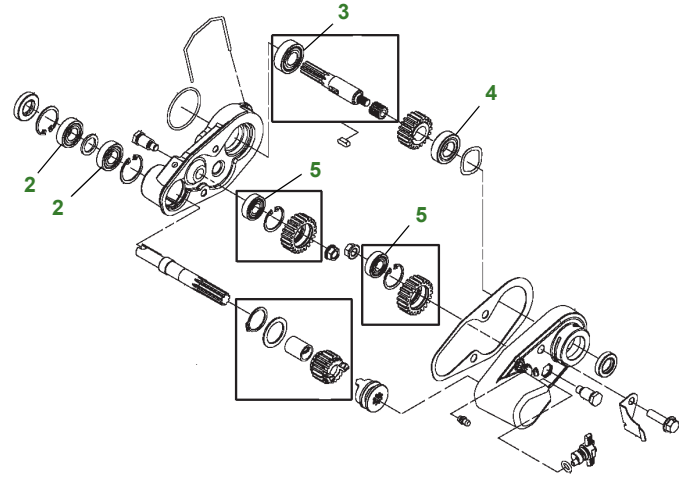
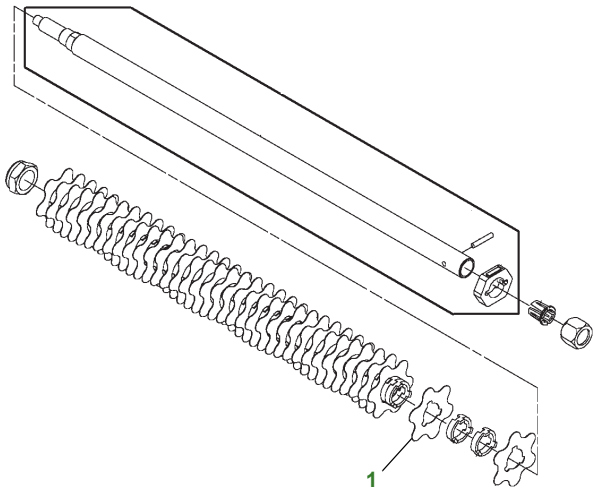
Key	Part No.	Description	Key	Part No.	Description
1	JD8226BEARING CUP	8	TCA18643SHIELD
2	JD8188BEARING CONE	9	TCU24328ADJUSTER
3	ET14566SEAL	10	TCU24460BRACKET
4	TCA19348REEL - 7-BLADE	11	TCU24461BRACKET
	TCA19349REEL - 11-BLADE	12	TCA18706ADJUSTER
5	TCU35967SHOE	13	AUC10826CUTTING UNIT MOTOR - 60 in. WIRING HARNESS
6	TCU31422BEDKNIFE - FAIRWAY HI-CUT	14	TCU33535SYNCHRONOUS BELT
	MT4846BEDKNIFE - 2.5 mm TOURNAMENT			
	TCU25299BEDKNIFE - FAIRWAY - 7-BLADE			
	MT7350BEDKNIFE - LOW-CUT - 11-BLADE			
	TCU36878BEDKNIFE - HARDENED LESS AGGRESSIVE LOW-CUT			
7	21M7194SCREW			

8000A E-Cut™ Hybrid Cutting Unit Rollers



Key	Part No.	Description	Key	Part No.	Description
1	TCA19332	ROLLER - SPIRAL GROOVED (2 in.)	10	JD8188	BEARING CONE
2	BM22868	ROLLER - GROOVED FRONT (2 in.)	11	JD8226	BEARING CUP
3	TCA19656	ROLLER - HOLLOW SMOOTH (2 in.)	12	U46731	O-RING
	AMT2981	ROLLER - MACHINED SMOOTH SOLID (2 in.)	13	MT739	SEAL
4	AMT2979	ROLLER - MACHINED GROOVED SOLID - WITH SOLID END CAPS (2 in.)	14	BM23015	CABLE (SMOOTH ROLLER SCRAPER)
5	BM23567	ROLLER - MACHINED SPIRAL (2 in.)	15	TCU27037	TORSION SPRING - LH
6	BTC10281	ROLLER - MACHINED GROOVED (2 in.)	16	TCU27036	TORSION SPRING - RH
7	BM25316	ROLLER - GROOVED DISK (3 in.)	17	TCA19597	KIT - MOUNTING
8	TCA19509	ROLLER - SMOOTH (3 in.)	18	TCA19585	SCRAPER - GROOVED 18 in. X 2 in.
9	ET15755	SEAL	19	BM25316	ROLLER - GROOVED DISK (3 in.)

8000A E-Cut™ Hybrid FTC,Rear Brush and Grass Catcher



Key	Part No.	Description
1	MT2624KNIFE
2	TCU24834BALL BEARING
3	M802355BEARING
4	JD8653BALL BEARING
5	ET16027BALL BEARING
6	BTC10716GRASS CATCHER - LOW PROFILE

Key	Part No.	Description
7	TCU24983SEAL
8	TCU24834BALL BEARING
9	MT6828SEAL
10	TCU32422SYNCHRONOUS BELT
11	TCU24826BRACKET