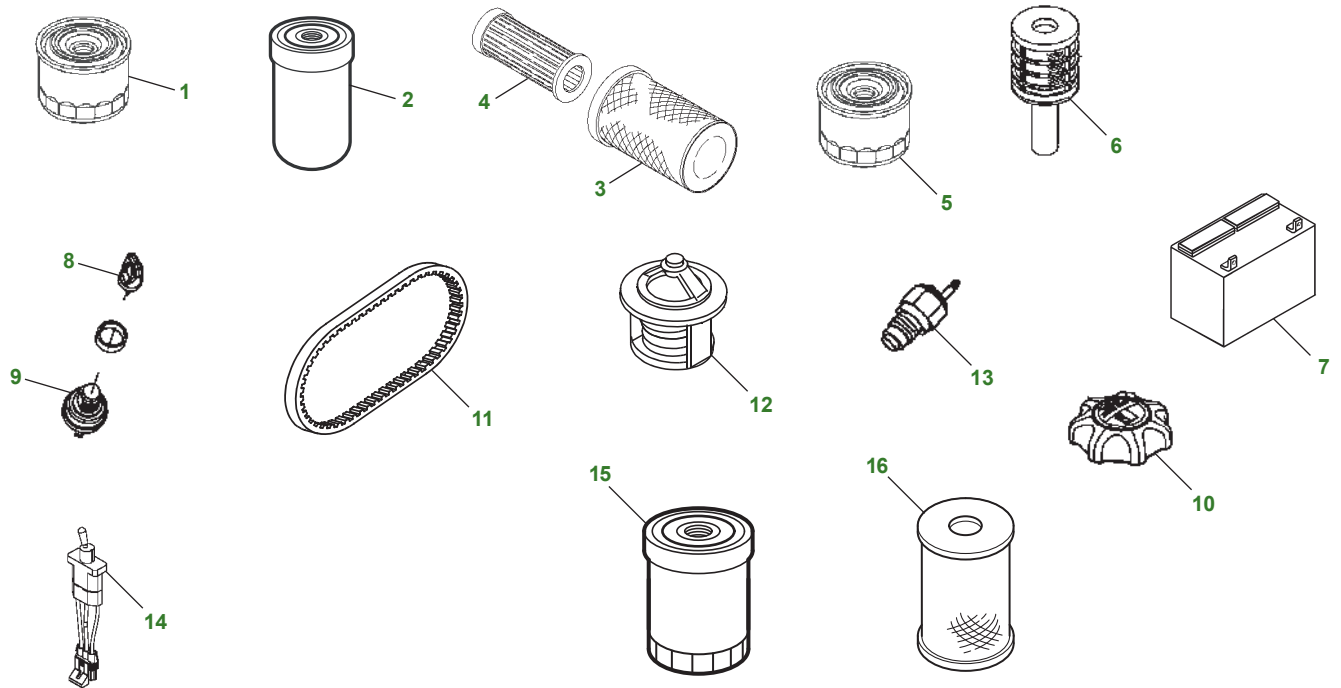


7500A E-Cut™ Hybrid Fairway Mower



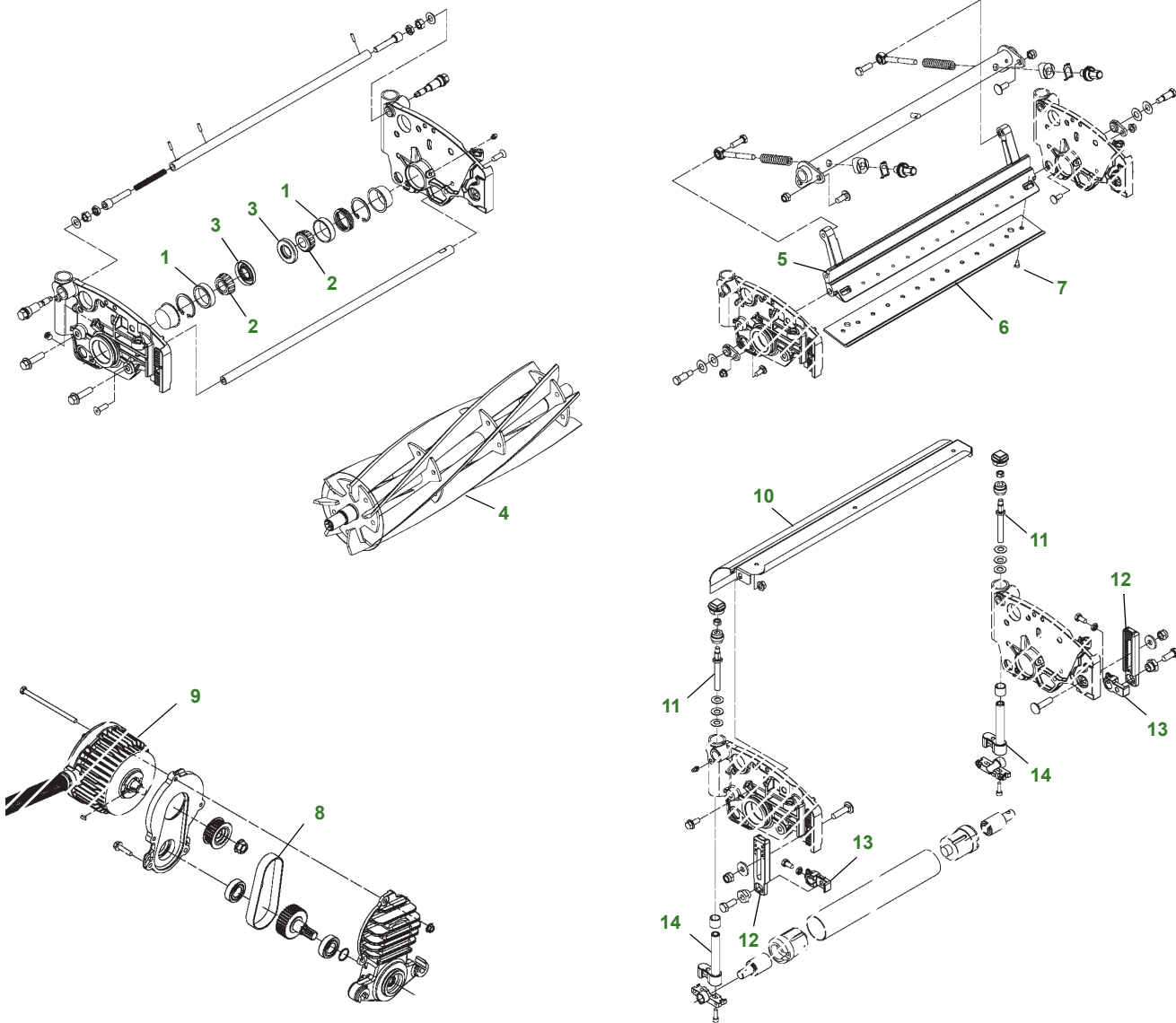
Key	Part No.	Description	Key	Part No.	Description
1	M806419	ENGINE OIL FILTER	11	TCU38089	BELT - FAN
2	RE69054	HYDRAULIC OIL FILTER		TCU30780	BELT - FAN - TIER 4
3	RE68048	AIR FILTER - PRIMARY	12	M811034	THERMOSTAT
4	RE68049	AIR FILTER - SECONDARY	13	CH15516	WATER TEMP SWITCH
5	MIU800645	FUEL FILTER	14	AXE27435	SELENOID VALVE COIL
6	M811032	FUEL SEPARATOR	15	MIU803127	FUEL FILTER - FINAL - TIER 4
7	TY25876	BATTERY	16	MIU802421	FUEL FILTER - PRIMARY - TIER 4
8	AM125504	KEY			
9	TCA22740	SWITCH (S/N -040000)			
	UC10104	SWITCH (S/N 040001-)			
10	TCA24601	FILLER CAP			

Parts Needed in First 250 hours of Operation

Qty	Part No.	Item	Capacity	Interval In Hours
2	M806419	Engine Oil Filter		50/200
3	TY26673	Plus-50™ II 15W-40 Engine Oil - 1 gal	5.6 qt	50/200
1	RE69054	Hydraulic Filter		50
3	TY25083	Golf and Turf Cutting Unit Grease (14 oz) (Cutting Unit and Cutting Unit Attachments)		As Needed
3	TY6341	Multi Purpose SD Polyurea Grease (14 oz) (Machine and Lift Arms)		As Needed

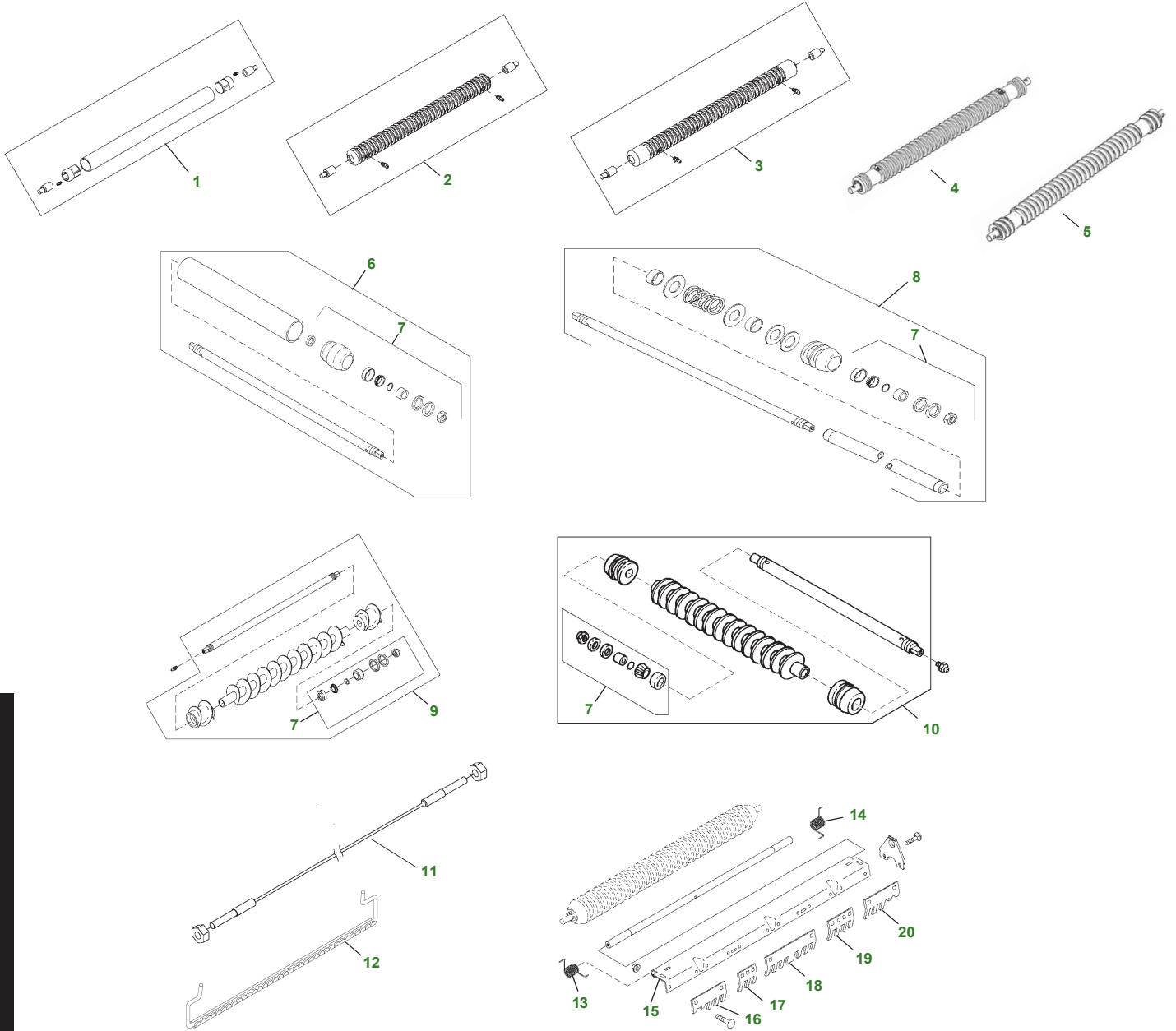
*Refer to Operators Manual for service intervals if using BioDiesel Fuel and Bio Hy-Gard.

7500A E-Cut™ Hybrid Reel Cutting Unit



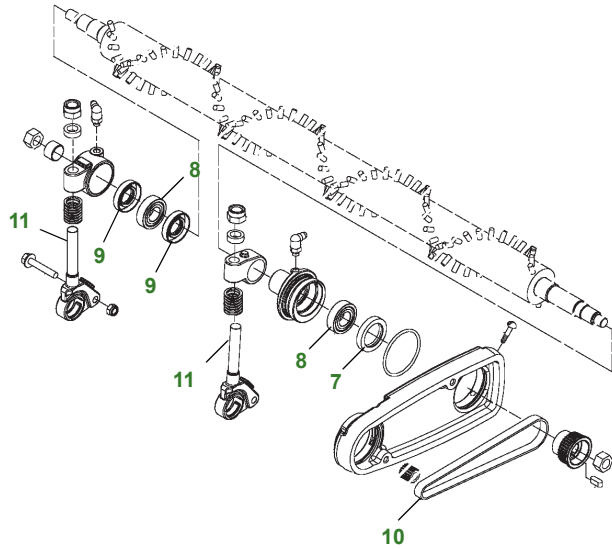
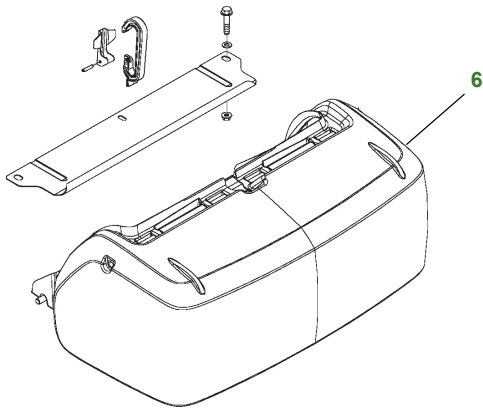
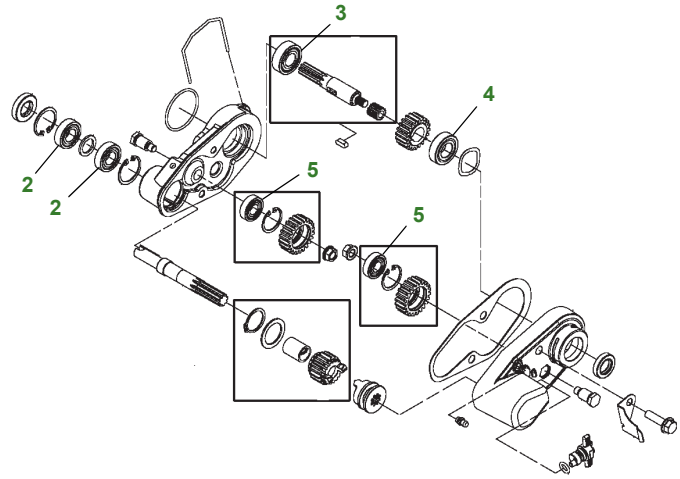
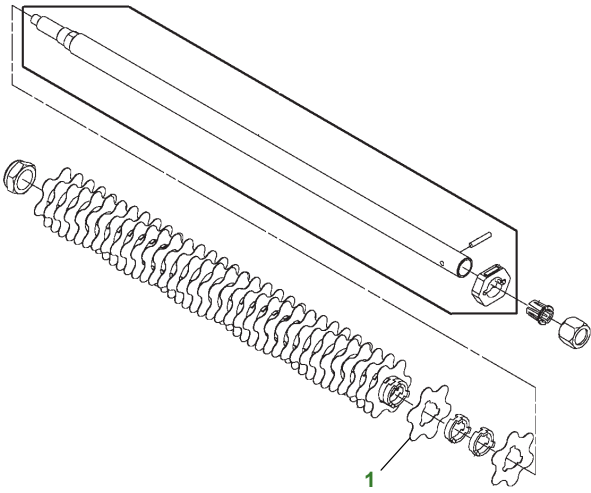
Key	Part No.	Description	Key	Part No.	Description
1	JD8226BEARING CUP	7	21M7194SCREW
2	JD8188BEARING CONE	8	TCU33535SYNCHRONOUS BELT
3	ET14566SEAL	9	AUC10826CUTTING UNIT MOTOR - 60 in. HARNES
4	TCA19350REEL - 7-BLADE	10	TCA19624SHIELD
	TCA19351REEL - 11-BLADE	11	TCU24328ADJUSTER
5	TCU35968SHOE	12	TCU24460BRACKET
6	ET17767BEDKNIFE - FAIRWAY - HI-CUT	13	TCU24461BRACKET
	ET17532BEDKNIFE - FAIRWAY - LOW-CUT 7-BLADE	14	TCA18706ADJUSTER
	ET11066BEDKNIFE - 3.0 mm W/ HARDENED INSERT			
	ET17534BEDKNIFE - TOURNAMENT			
	ET17533BEDKNIFE - STANDARD			
	TCU36165BEDKNIFE - HARDENED LESS AGGRESSIVE LOW-CUT			
	MT7351BEDKNIFE LOW-CUT - 11-BLADE			

7500A E-Cut™ Hybrid Cutting Unit Rollers



Key	Part No.	Description	Key	Part No.	Description
1	AMT2876	ROLLER - SMOOTH TUBE (2 in.)	9	AMT2467	ROLLER - CONTINUOUS SPIRAL (3 in.)
	AMT2878	ROLLER - SMOOTH SOLID (2 in.)	10	AMT1286	ROLLER - SPIRAL W/GROOVED END CAPS (3 in.)
2	AMT2880	ROLLER - MACHINED SPIRAL (2 in.)	11	BM22995	SCRAPER - SMOOTH ROLLER
	AMT2875	ROLLER - GROOVED (22.5 in.)	12	TCA19547	SCRAPER - GROOVED (22 X 2 in.)
	AMT2877	ROLLER - GROOVED (23.25 in.)	13	ET17629	TORSION SPRING - LH
3	AMT2879	ROLLER - EXTENDED GROOVED (2 in.)	14	ET17630	TORSION SPRING - RH
4	BTC10267	ROLLER - MACHINED GROOVED - ATTACHMENT	15	MT2369	SCRAPER
5	BM23566	ROLLER - SPIRAL GROOVED	16	MT5159	SCRAPER - LH END
6	AMT2967	ROLLER - SMOOTH (3 in.)	17	MT2342	SCRAPER - 3 TOOTH
7	AET10632	SEAL KIT	18	MT2340	SCRAPER - CENTER
8	BM25317	ROLLER - DISK (3 in.)	19	MT2341	SCRAPER - 4 TOOTH
	BM26408	GROOVED DISK ROLLER - 2.5 in.	20	MT5158	SCRAPER - RH END

7500A E-Cut™ Hybrid FTC, Rear Brush and Grass Catcher



Key	Part No.	Description
1	MT2624	KNIFE
2	TCU24834	BALL BEARING
3	M802355	BALL BEARING
4	JD8653	BALL BEARING
5	ET16027	BALL BEARING
6	BTC10718	GRASS CATCHER - LOW PROFILE
	BTC10719	GRASS CATCHER - HIGH PROFILE

Key	Part No.	Description
7	TCU24983	SEAL
8	TCU24834	BALL BEARING
9	MT6828	SEAL
10	TCU32422	SYNCHRONOUS BELT
11	TCU24826	BRACKET