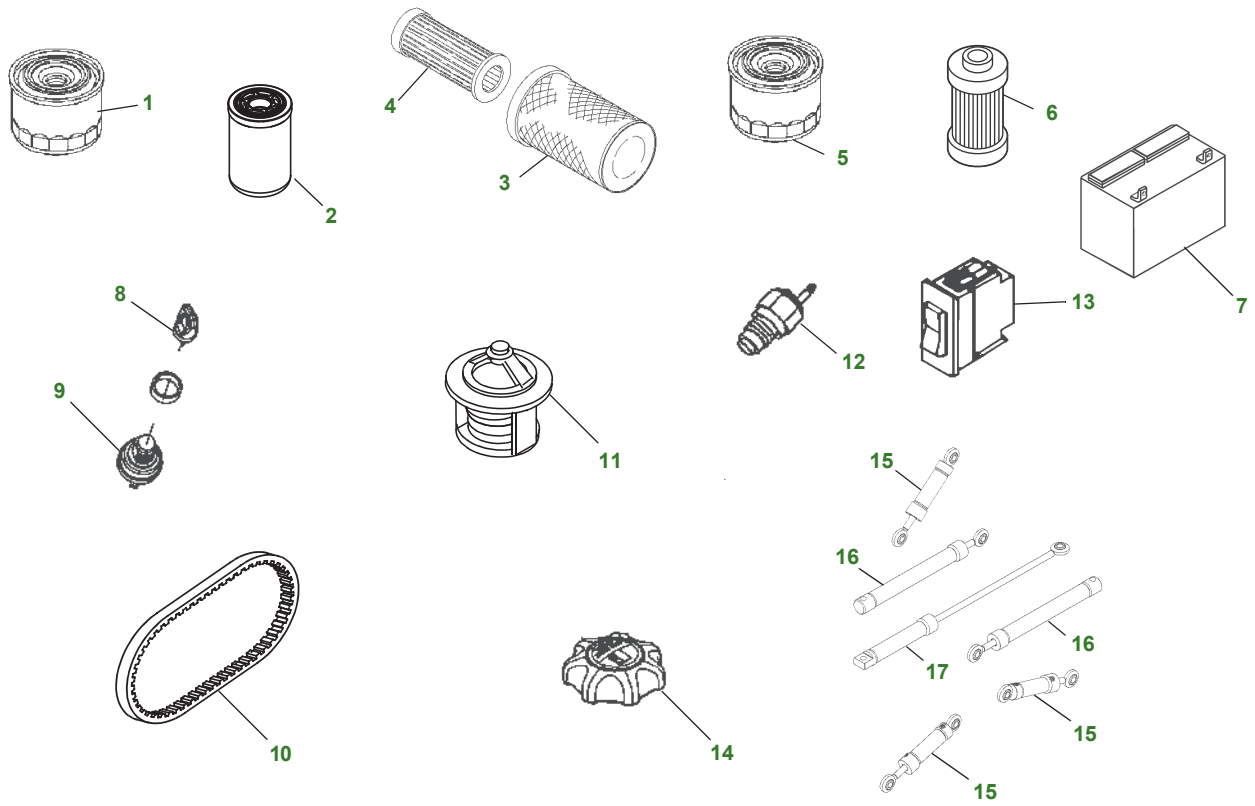


7200A PrecisionCut™ Trim and Surrounds Mower

Rough Intermediates and Surrounds



Key	Part No.	Description	Key	Part No.	Description
1	M806418	ENGINE OIL FILTER	12	CH15516	WATER TEMP SWITCH
2	LVU14258	HYDRAULIC OIL FILTER	13	AM117324	HEADLIGHT SWITCH
3	M131802	AIR FILTER ELEMENT - PRIMARY	14	TCA24601	FUEL CAP
4	M131803	AIR FILTER ELEMENT - SECONDARY	15	TCA24128	HYDRAULIC CYLINDER - LIFT
5	MIU800645	FUEL FILTER	16	TCA17627	HYDRAULIC CYLINDER - IMPLEMENT SHIFT
6	M811032	FUEL SEPARATOR ELEMENT	17	TCA18638	HYDRAULIC CYLINDER - WIDTH OF CUT
7	TY25876	BATTERY			
8	AM125504	KEY			
9	TCA22740	SWITCH (S/N -040000)			
	UC10104	SWITCH (S/N 040001-)			
10	TCU38089	BELT - FAN			
	M82461	BELT - WATER PUMP			
11	M811895	THERMOSTAT			

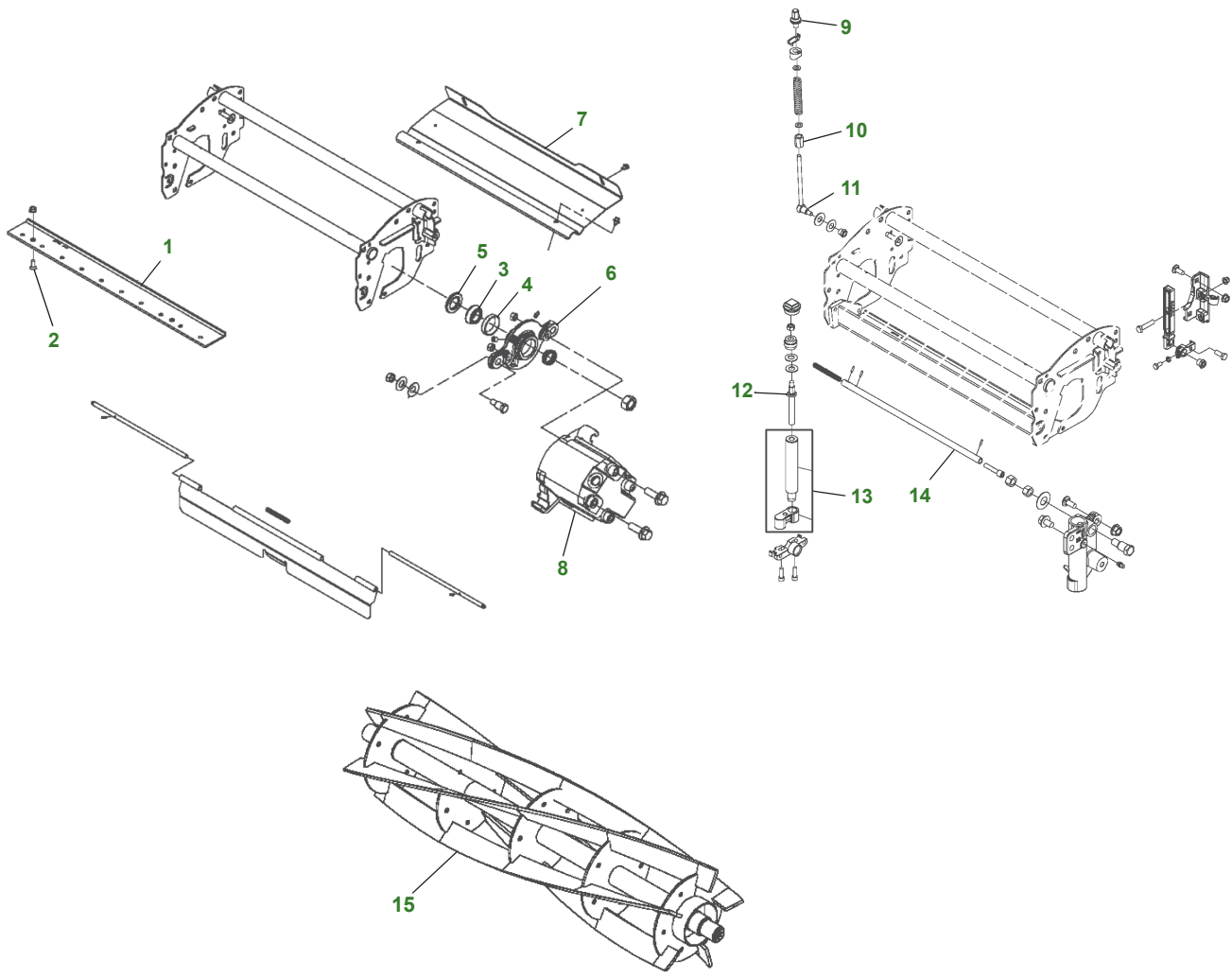
7200A PrecisionCut™ Trim and Surrounds Mower (Continued)

Parts Needed in First 200 hours of Operation

Qty	Part No.	Item	Capacity	Interval In Hours
2	M806418	Engine Oil Filter		50/200
2	TY26673	Plus-50™ II 15W-40 Engine Oil - 1 gal	3.4 qt	50/200
2	TY26800	Torq-Gard™ Supreme 15W-40 Engine Oil - 1 gal	3.4 qt	50/200
1	LVU14258	Hydraulic Oil Filter		50
3	TY25083	John Deere Special Purpose Golf & Turf Cutting Unit Grease (14 oz) (Cutting Unit and Cutting Unit Attachments)		As Needed
1	TY6341	John Deere Multi-Purpose SD Polyurea Grease (14 oz) (Machine components, lift arms and rollers)		As Needed
3	TY6333	John Deere Special Purpose HD Moly (14oz)		As Needed

*Refer to Operators Manual for service intervals if using BioDiesel Fuel and Bio Hy-Gard.

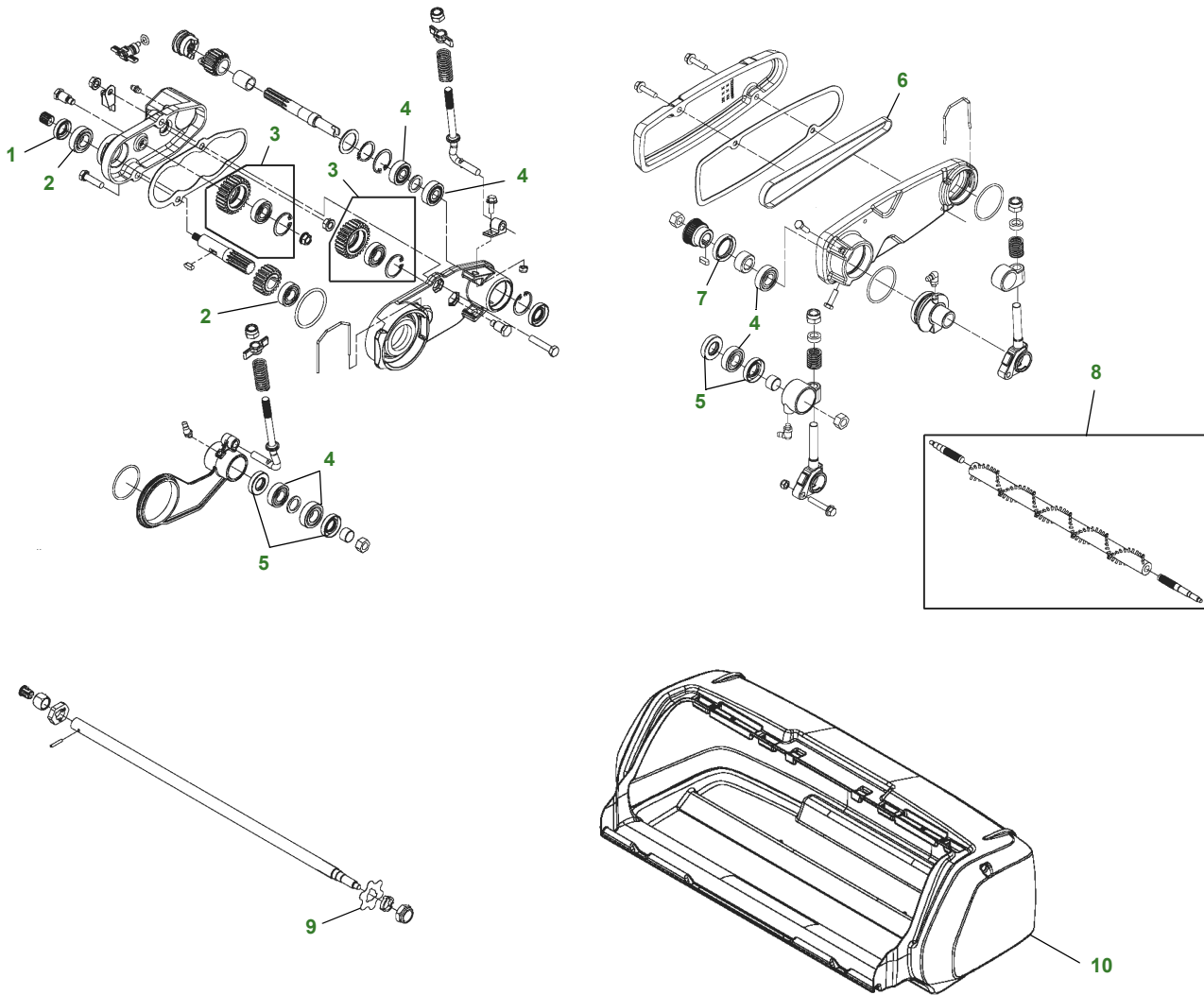
7200A PrecisionCut™ Reel Cutting Unit



Rough Intermediates and Surrounds

Key	Part No.	Description	Key	Part No.	Description
1	ET17752	BEDKNIFE - STANDARD - 26 in.	8	TCA22472	CUTTING UNIT MOTOR
	TCU34070	BEDKNIFE - LESS AGGRESSIVE HARDENED INSERT - 26 in.		TCA19115	CUTTING UNIT MOTOR SEAL KIT
	MT6949	BEDKNIFE - TOURNAMENT - 26 in.	9	TCU24955	ADJUSTER
	MT1973	BEDKNIFE - STANDARD - 30 in.	10	TCU26315	ADJUSTER
	UC11472	BEDKNIFE - LOW CUT - 30 in.	11	TCU25317	ADJUSTER
2	19M7573	SCREW - M8 - (12)	12	TCU26123	ADJUSTER
3	JD8933	BEARING CONE	13	TCA19331	ADJUSTER
4	JD8253	BEARING CUP	14	TCU29056	TUBE - 26 in.
5	TCU25266	SEAL		TCU26741	TUBE - 30 in.
6	TCU25980	BEARING HOUSING W/O BEARINGS - LH	15	TCA19355	REEL - 5-BLADE - 26 in. - USE W/BM22465
	TCU25979	BEARING HOUSING W/O BEARINGS - RH		TCA19357	REEL - 5-BLADE - 30 in. - USE W/BM22467
7	TCA19174	SHIELD - 26 in.		TCA19356	REEL - 8-BLADE - 26 in. - USE W/BM22466
	TCA19175	SHIELD - 30 in.		TCA19358	REEL - 8-BLADE - 30 in. - USE W/BM22468

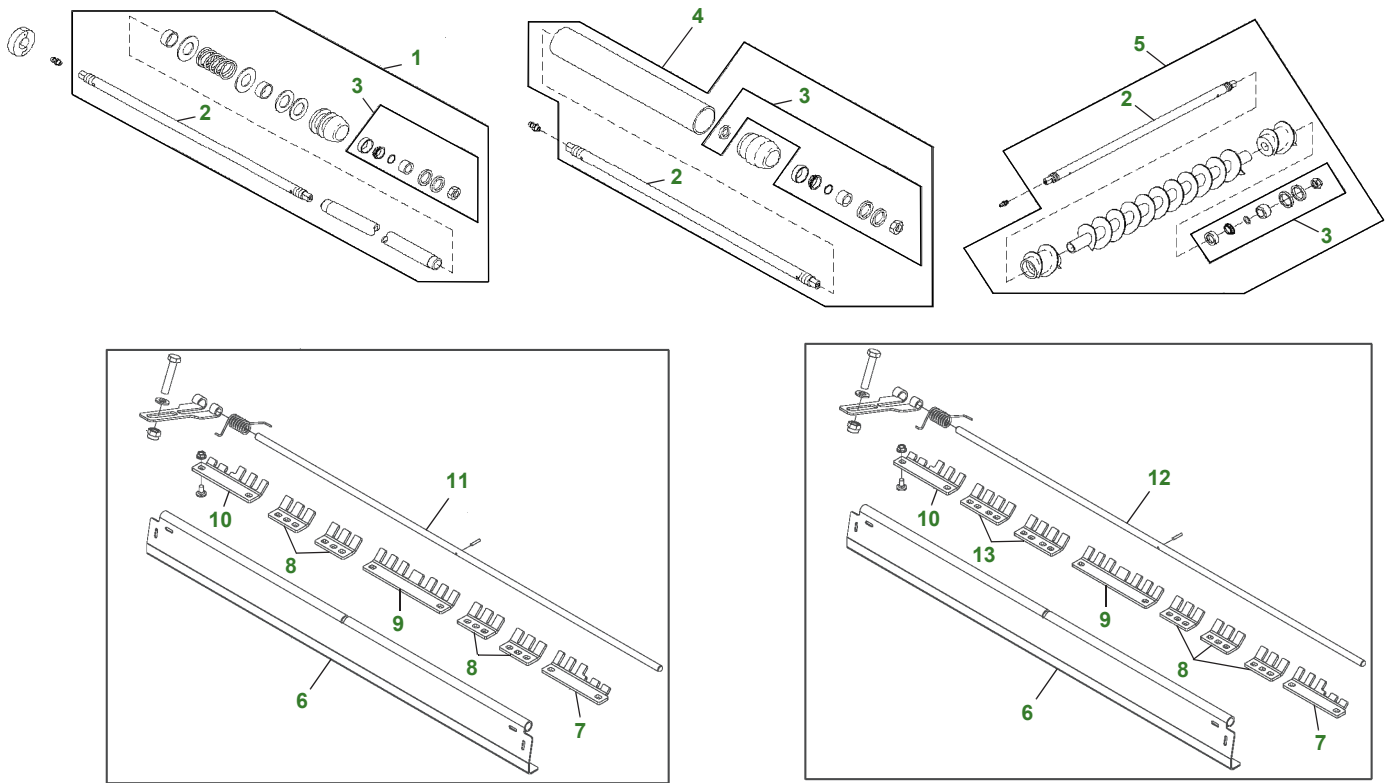
7200A PrecisionCut™ Cutting Unit, FTC, Rear Brush and Grass Catcher



Rough Intermediates and Surrounds

Key	Part No.	Description	Key	Part No.	Description
1	MT2622	SEAL	6	TCU32423	SYNCHRONOUS BELT
2	JD8653	BALL BEARING	7	TCU24983	SEAL
3	TCA17898	IDLER GEAR	8	TCA18668	REAR BRUSH KIT
4	TCU24834	BALL BEARING	9	MT2624	KNIFE
5	MT6828	SEAL	10	TCA18834	GRASS CATCHER

7200A PrecisionCut™ Cutting Unit Rollers and Scrapers



Rough Intermediates and Surrounds

Key	Part No.	Description	Key	Part No.	Description
1	BM25318.....	ROLLER - GROOVED - 26 in.	6	TCU27070.....	SCRAPER - 30 in.
	BM25319.....	ROLLER - GROOVED - 30 in.		TCU27069.....	SCRAPER - 26 in.
2	ET17514.....	SHAFT - 26 in.	7	MT5159.....	SCRAPER (RH)
	MT1986.....	SHAFT - 30 in.	8	MT2342.....	SCRAPER (4) - 26 in.
3	AET10632	SEAL KIT		MT2342.....	SCRAPER (3) - 30 in.
4	AMT2969.....	ROLLER - SMOOTH - 26 in.	9	MT2340.....	SCRAPER
	AMT2976.....	ROLLER - SMOOTH - 30 in.	10	MT5158.....	SCRAPER (LH)
5	AMT2468.....	ROLLER - SPIRAL - 26 in.	11	ET17758.....	ROD - 26 in.
	AMT2469.....	ROLLER - SPIRAL - 30 in.	12	MT1982	ROD - 30 in.
	AMT1287.....	ROLLER - SPIRAL GROOVED END CAPS - 26 in.	13	MT2341.....	SCRAPER (2) - 30 in.
	AMT1288.....	ROLLER - SPIRAL GROOVED END CAPS - 30 in.			