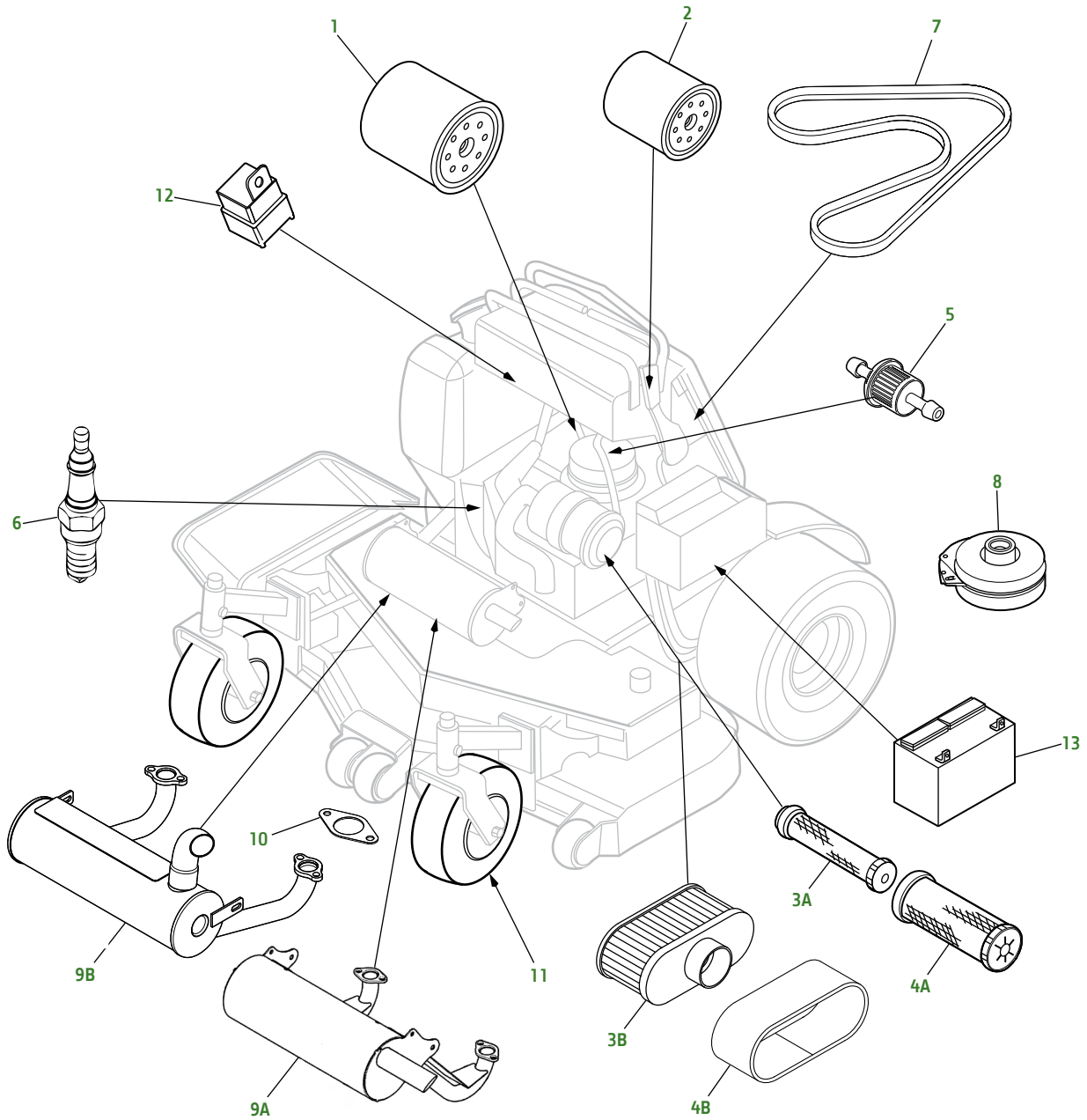


# 652B / 652E / 636M / 648M / 652M / 648R / 652R / 652R MOD 652R EFI / 652R EFI MOD / 661R / 661R EFI QuikTrak™



## 652B - 661R EFI (Continued)

Key	Part No.	Description	Key	Part No	Description
1	<a href="#">AM125424</a>	ENGINE OIL FILTER	9A	<a href="#">TCA23223</a>	MUFFLER - 648R, 652R, 661R & 652R MOD
2	<a href="#">TCA23150</a>	HYDRAULIC OIL FILTER		<a href="#">TCA23223</a>	MUFFLER -652B (S/N -020000)
3A	<a href="#">M131803</a>	AIR FILTER - SECONDARY	9B	<a href="#">TCA24531</a>	MUFFLER -652B (S/N 020001-), 652E
3B	<a href="#">MIU12555</a>	AIR FILTER - SECONDARY - 636M		<a href="#">TCA24531</a>	MUFFLER - 636M, 648M & 652M
4A	<a href="#">M131802</a>	AIR FILTER - PRIMARY		<a href="#">TCA23468</a>	MUFFLER - 652R EFI, 661R EFI &
4B	<a href="#">MIU12554</a>	AIR FILTER - PRIMARY - 636M			652R EFI MOD
5	<a href="#">AM116304</a>	FUEL FILTER	10	<a href="#">M136651</a>	MUFFLER GASKET
	<a href="#">MIU13224</a>	FUEL FILTER - 652R EFI, 661R EFI & 652R EFI MOD		<a href="#">M149198</a>	MUFFLER GASKET - 652R EFI, 661R EFI &
6	<a href="#">M805853</a>	SPARK PLUG			652R EFI MOD
	<a href="#">MIU11020</a>	SPARK PLUG - 652R EFI, 652R EFI MOD & 661R EFI	11	<a href="#">TCA19309</a>	CASTER WHEEL
7	<a href="#">TCU34214</a>	HYDRAULIC PUMP BELT - 648R, 652B (S/N -045000), 652E, 652R, 652R MOD, 652R EFI, 652R EFI MOD, 661R, 661R EFI		<a href="#">TCA20363</a>	CASTER WHEEL - 636M, 648M & 652M
	<a href="#">UC11266</a>	HYDRAULIC PUMP BELT - 652B (S/N 045001-)	12	<a href="#">TCA23212</a>	RELAY
	<a href="#">TCU37189</a>	HYDRAULIC PUMP BELT - 636M, 648M, 652M	13	<a href="#">TY25221</a>	BATTERY
8	<a href="#">TCA23182</a>	PTO CLUTCH - [652B, 648R, 652R, 652R MOD, 652R EFI, 652R EFI MOD, 661R (S/N -045000)]			
	<a href="#">AUC11232</a>	PTO CLUTCH - 652E [652B, 648R, 652R, 652R MOD, 652R EFI, 652R EFI MOD, 661R, 661R EFI (S/N 045001-)]			
	<a href="#">TCU37594</a>	PTO CLUTCH - 636M (S/N -045000)			
	<a href="#">AUC10724</a>	PTO CLUTCH - 636M (S/N 045001-)			
	<a href="#">TCA24953</a>	PTO CLUTCH - [648M, 652M (S/N -045000)]			
	<a href="#">AUC10723</a>	PTO CLUTCH - [648M, 652M (S/N 045001-)]			

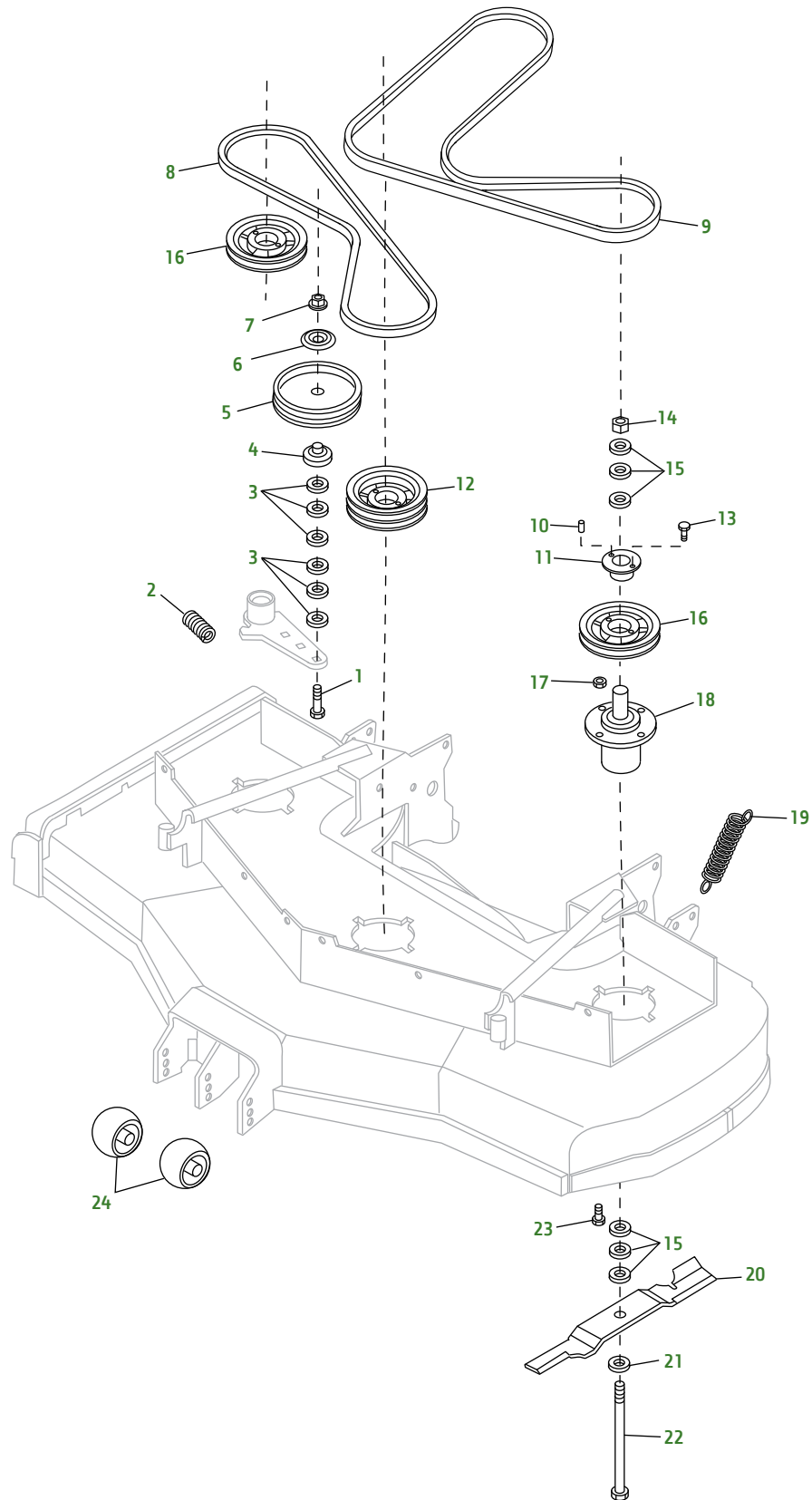
## Parts Needed in First 250 Hours of Operation

Qty	Part No.	Item	Capacity	Interval In Hours
3	<a href="#">AM125424</a>	Engine Oil Filter		10/100/200
7	<a href="#">TY22029</a>	Turf-Gard™ Engine Oil - 1 qt	2.2 qt	10/100/200
1	<a href="#">TCA23150</a>	Hydraulic Oil Filter		10
3	<a href="#">TY26674</a>	PLUS-50™ II - 15W-40 Hydraulic Oil - 1 qt	1.7 - 2.3 qt	10
1	<a href="#">TY6341</a>	Multi-Purpose SD Polyurea Grease (14 oz)		As Needed

## Capacities

Crankcase (with filter change) . . . . . 2.1 L (2.2 qt.)  
Hydraulic Capacity (with filter change) . 1.6 – 2.17 L (1.7 – 2.3 qt.)  
Grease Gun . . . . . TY26518

# 36 in. / 48 in. / 52 in. / 61 in. decks (652B - 661R EFI)



# 36 in. / 48 in. / 52 in. / 61 in. decks (652B - 661R EFI)

## (Continued)

Key	Part No.	Description	Key	Part No	Description
1	<a href="#">03M7219</a> . . . .	BOLT - L.H.	12	<a href="#">TCU34283</a> . . . .	PULLEY - 652B (S/N -040000), 652R MOD & 652R EFI MOD
	<a href="#">03M7204</a> . . . .	BOLT - R.H.		<a href="#">TCU38055</a> . . . .	PULLEY - 652E, [652B & 652M (S/N 040001-)], 652R, & 652R EFI
	<a href="#">19H2733</a> . . . .	BOLT - 636M, 648M & 652M		<a href="#">TCU35498</a> . . . .	PULLEY - 661R & 661R EFI
2	<a href="#">TCU34145</a> . . . .	SPRING		<a href="#">TCU37590</a> . . . .	PULLEY - 648R, 648M & 652M (S/N -040000)
3	<a href="#">24M7180</a> . . . .	WASHER	13	<a href="#">19H1914</a> . . . .	SCREW
4	<a href="#">TCU22505</a> . . . .	SPACER - 652B, 652E, 648R, 652R, 652R MOD, 652R EFI, 652R EFI MOD, 661R, 661R EFI		<a href="#">TCU38060</a> . . . .	BOLT - 636M
5	<a href="#">TCA17524</a> . . . .	IDLER - 648R	14	<a href="#">14H1039</a> . . . .	NUT - 652B, 652E, 648M, 648R [652R & 652R EFI (S/N 045000-)]
	<a href="#">DMA210404</a> . . . .	IDLER		<a href="#">TCU34344</a> . . . .	NUT 636M, [652R & 652R EFI (S/N -045000)] 652R MOD, 652R EFI MOD, & 661R EFI
	<a href="#">TCU37589</a> . . . .	IDLER - 636M, 648M & 652M	15	<a href="#">TCU34389</a> . . . .	SPACER
6	<a href="#">TCU22503</a> . . . .	DUST SHIELD	16	<a href="#">TCU38056</a> . . . .	PULLEY - 636M, 652B, 652E, 652M, 652R, 652R MOD, 652R EFI, 652R EFI MOD
	<a href="#">TCU37800</a> . . . .	CAP - 636M, 648M & 652M		<a href="#">TCU37591</a> . . . .	PULLEY - 648M, 648R
7	<a href="#">TCU15996</a> . . . .	NUT - 636M		<a href="#">TCU35499</a> . . . .	PULLEY - 661R, 661R EFI
	<a href="#">M158040</a> . . . .	NUT - 648M	17	<a href="#">M158040</a> . . . .	NUT
	<a href="#">E50102</a> . . . .	NUT - 652M	18	<a href="#">TCA23229</a> . . . .	SPINDLE
	<a href="#">H137329</a> . . . .	NUT - 648R, 652R, 652R EFI	19	<a href="#">TCU34094</a> . . . .	SPRING
	<a href="#">14M7529</a> . . . .	NUT - 652B, 652E, 652R MOD, 661R, 661R EFI	20	<a href="#">TCU34166</a> . . . .	BLADE - 648R
	<a href="#">TCU34344</a> . . . .	NUT - 652R EFI MOD		<a href="#">TCU34280</a> . . . .	BLADE - 652B, 652E, 652R, 652R EFI, 652R MOD & 652R EFI MOD
8	<a href="#">TCU34217</a> . . . .	R.H. BELT - 648R & 648M		<a href="#">TCU34281</a> . . . .	BLADE - 661R & 661R EFI
	<a href="#">TCU34215</a> . . . .	R.H. BELT - 652R, 652B, 652E, 652R EFI, 652R MOD, 652R EFI MOD & 652M		<a href="#">TCU37208</a> . . . .	BLADE - 636M & 652M
	<a href="#">TCU34216</a> . . . .	R.H. BELT - 661R & 661R EFI		<a href="#">TCU37209</a> . . . .	BLADE - 648M
9	<a href="#">TCU34229</a> . . . .	L.H. BELT - 648R (S/N -045000)		<a href="#">TCU35393</a> . . . .	BLADE - MULCH 36 IN - 636M
	<a href="#">UC11267</a> . . . .	L.H. BELT - 648R (S/N 0450001-)		<a href="#">TCU35392</a> . . . .	BLADE - MULCH 48 IN - 648R & 648M
	<a href="#">TCU34219</a> . . . .	L.H. BELT - 652B, [652R, 652R EFI (S/N -045000)], 652R MOD, 652R EFI MOD		<a href="#">UC10725</a> . . . .	BLADE - MULCH 52 IN - 652R, 652B, 652E, 652M, 652R EFI, 652R MOD & 652R EFI MOD
	<a href="#">UC11266</a> . . . .	L.H. BELT - 652E [652R, 652R EFI (S/N 0450001-)]		<a href="#">TCU35394</a> . . . .	BLADE - MULCH 61 IN - 661R & 661R EFI
	<a href="#">TCU34218</a> . . . .	L.H. BELT - [661R & 661R EFI (S/N -045000)]	21	<a href="#">TCU34411</a> . . . .	WASHER
	<a href="#">UC11303</a> . . . .	L.H. BELT - [661R & 661R EFI (S/N 0450001-)]	22	<a href="#">19H3583</a> . . . .	BOLT
	<a href="#">TCU37207</a> . . . .	L.H. BELT - 652M (S/N -045000)		<a href="#">TCU38059</a> . . . .	BOLT - 636M, 648M & 652M
	<a href="#">UC11305</a> . . . .	L.H. BELT - 652M (S/N 0450001-)	23	<a href="#">03H1480</a> . . . .	BOLT
	<a href="#">TCU37206</a> . . . .	SINGLE BELT - 636M (S/N -045000), 648M (S/N -045000)	24	<a href="#">TCU18744</a> . . . .	GAGE WHEEL
	<a href="#">UC11306</a> . . . .	SINGLE BELT - 636M (S/N 0450001-), 648M (S/N 0450001-)		<a href="#">TCU34317</a> . . . .	GAGE WHEEL - 636M
10	<a href="#">TCU34134</a> . . . .	KEY			
11	<a href="#">TCU34169</a> . . . .	BUSHING			

### Frequently Used Items

Qty	Part No.	Item
3	<a href="#">TCA23229</a>	Spindle
3	<a href="#">TCU34166</a>	Blade - 648R
3	<a href="#">TCU34280</a>	Blade - 652B, 652E, 652R, 652R EFI, 652R MOD & 652R EFI MOD
3	<a href="#">TCU34281</a>	Blade - 661R & 661R EFI
2	<a href="#">TCU37208</a>	Blade - 636M & 652M (3)
3	<a href="#">TCU37209</a>	Blade - 648M
2	<a href="#">TCU35393</a>	Blade - Mulch - 636M
3	<a href="#">TCU35392</a>	Blade - Mulch - 648R & 648M
3	<a href="#">UC10725</a>	Blade - Mulch - 652R, 652B, 652E, 652M, 652R EFI, 652R MOD & 652R EFI MOD
3	<a href="#">TCU35394</a>	Blade - Mulch - 661R & 661R EFI
1	<a href="#">TCU34217</a>	R.H. Belt - 648R & 648M
1	<a href="#">TCU34215</a>	R.H. Belt - 652R, 652B, 652E, 652R EFI, 652R MOD, 652R EFI MOD & 652M
1	<a href="#">TCU34216</a>	R.H. Belt - 661R & 661R EFI
1	<a href="#">TCU34229</a>	L.H. BELT - 648R (S/N -045000)
1	<a href="#">UC11267</a>	L.H. BELT - 648R (S/N 0450001-)
1	<a href="#">TCU34219</a>	L.H. BELT - 652B, [652R, 652R EFI (S/N -045000)], 652R MOD, 652R EFI MOD
1	<a href="#">UC11266</a>	L.H. BELT - 652E [652R, 652R EFI (S/N 0450001-)]
1	<a href="#">TCU34218</a>	L.H. BELT - [661R & 661R EFI (S/N -045000)]
1	<a href="#">UC11303</a>	L.H. BELT - [661R & 661R EFI (S/N 0450001-)]
1	<a href="#">TCU37207</a>	L.H. BELT - 652M (S/N -045000)
1	<a href="#">UC11305</a>	L.H. BELT - 652M (S/N 0450001-)
1	<a href="#">TCU37206</a>	SINGLE BELT - 636M (S/N -045000), 648M (S/N -045000)
1	<a href="#">UC11306</a>	SINGLE BELT - 636M (S/N 0450001-), 648M (S/N 0450001-)