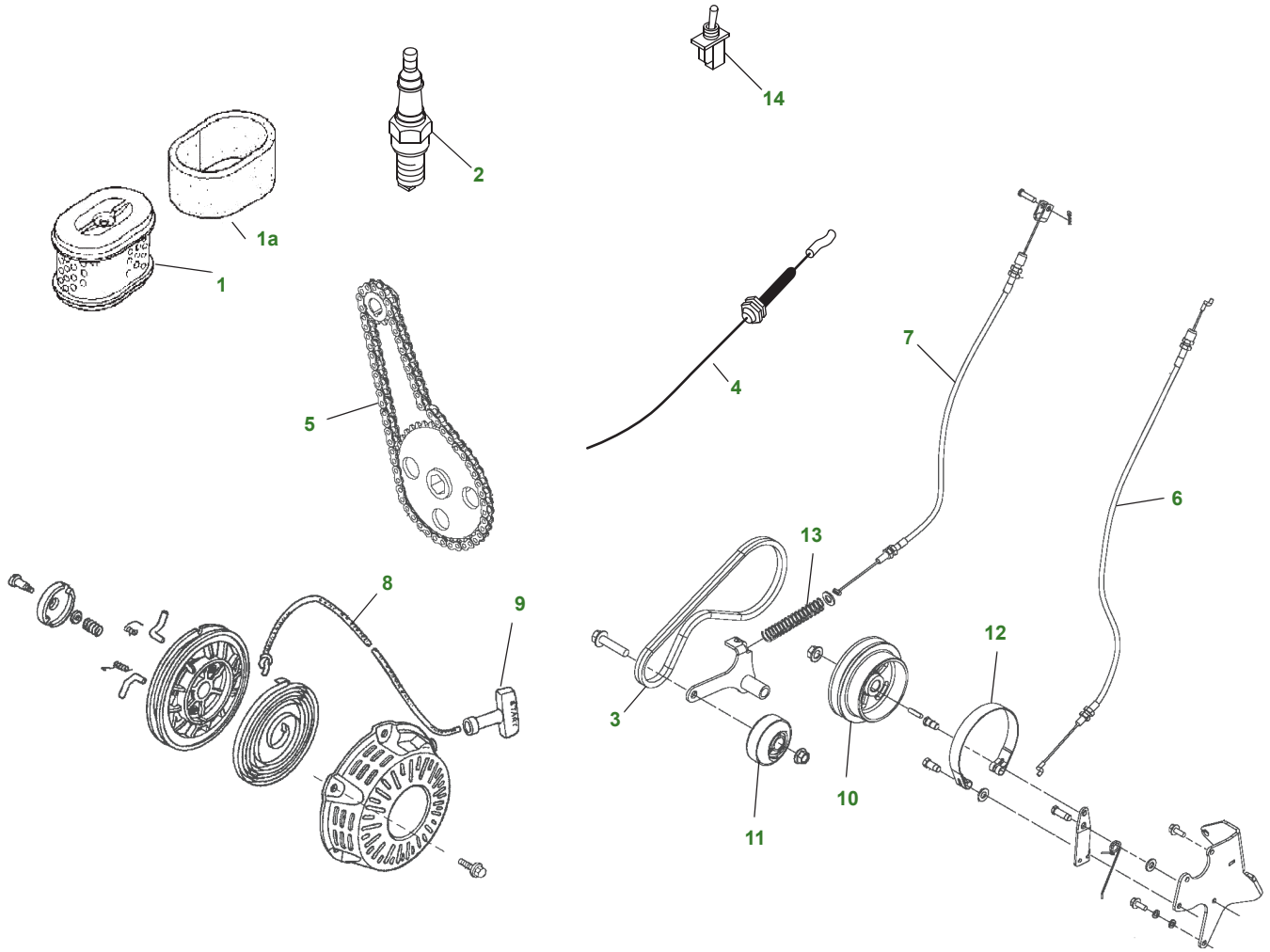


220 E-Cut™ Hybrid Greens Mowers



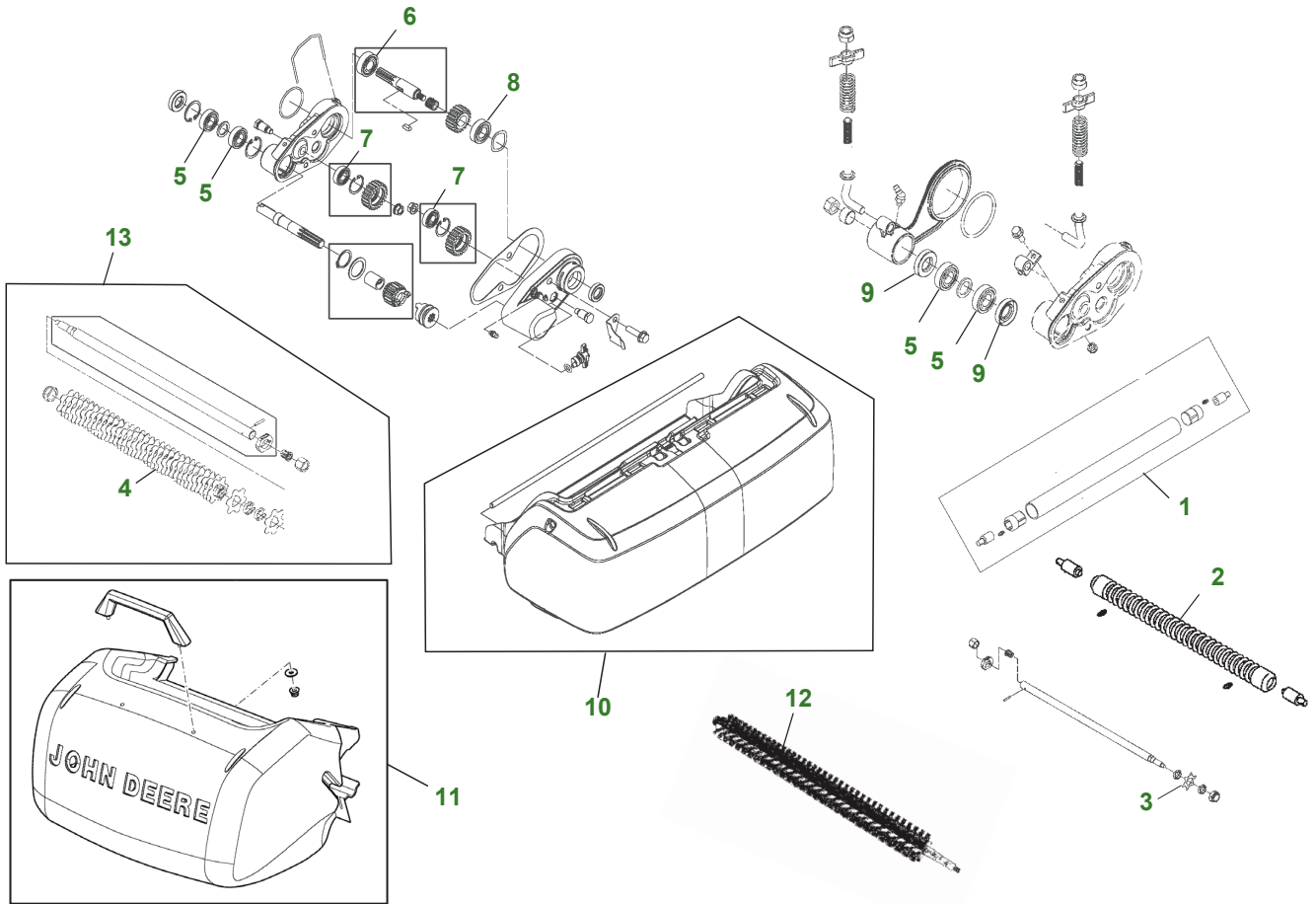
Key	Part No.	Description	Key	Part No.	Description
1	AM123909	AIR FILTER - SECONDARY	8	M128286	ROPE
1a	MIU11464	AIR FILTER - PRIMARY	9	M128285	HANDLE
2	M128206	SPARK PLUG	10	TCU24801	PULLEY
3	TCU25209	BELT - DRIVE	11	AMT758	BELT IDLER
4	AMT1680	PUSH PULL CABLE - THROTTLE	12	AMT820	BRAKE BAND
5	TCA16595	CHAIN DRIVE	13	MT1200	COMPRESSION SPRING
6	TCA18547	BRAKE CABLE	14	AT106154	TOGGLE SWITCH
7	TCA18548	CLUTCH CABLE			

Parts Needed in First 250 hours of Operation

Qty	Part No.	Item	Capacity	Interval In Hours
4	TY22029	TURF-GARD™ 10W-30 Engine Oil - 1 qt	.6 qt	20/50/100/150/200/250
1	TY6354	Hy-Gard™ Trans Oil - 1 gal	.3 pt	50
1	TY6341	Multi Purpose SD Polyurea Grease (14 oz) (Machine components, lift arms and rollers)		As Needed
3	TY25083	John Deere Special Purpose Golf & Turf Cutting Unit Grease (14 oz) (Cutting Unit and Cutting Unit Attachments)		As Needed

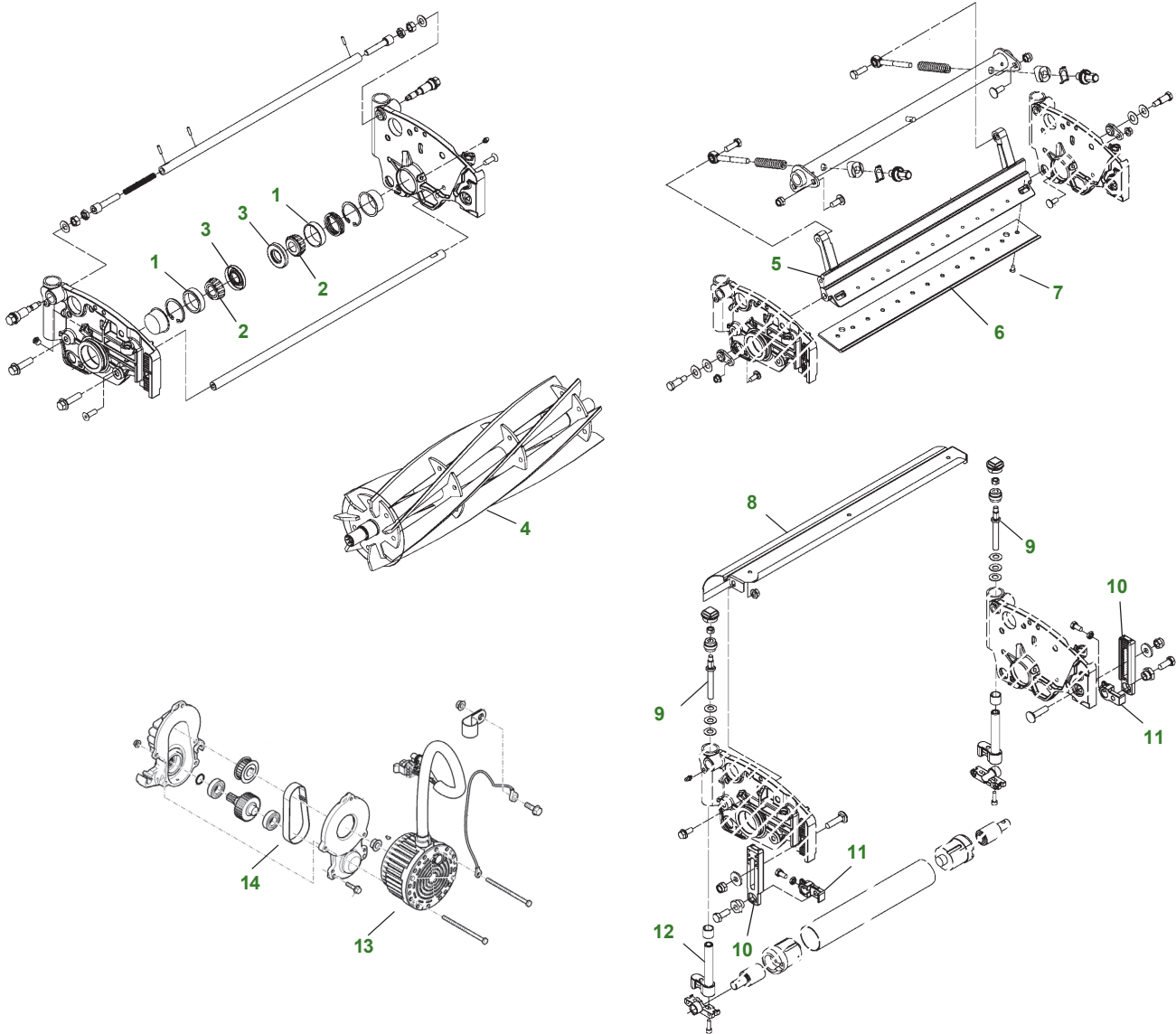
*Refer to Operators Manual for service intervals if using Bio Hy-Gard.

220 E-Cut™ Hybrid FTC and GTC



Key	Part No.	Description	Key	Part No.	Description
ROLLER					
1	AMT2876	ROLLER - SMOOTH	6	M802355	BALL BEARING
	AMT2878	ROLLER - SMOOTH - SOLID	7	ET16027	BALL BEARING
2	AMT2979	ROLLER - MACHINE GROOVED SOLID END CAPS	8	JD8653	BALL BEARING
3	ET14707	KNIFE - GREENS TENDER CONDITIONER	9	MT6828	SEAL
4	MT2624	KNIFE - FAIRWAY TENDER CONDITIONER	10	BTC10718	GRASS CATCHER - LOW PROFILE
5	TCU24834	BALL BEARING	11	BTC10630	GRASS CATCHER - DIRECT MOUNT
			12	BM22761	DT ROTARY TURF BRUSH
			13	BM22671	CONDITIONER - FAIRWAY TENDER

220 E-Cut™ Hybrid Cutting Unit



Key	Part No.	Description	Key	Part No.	Description
1	JD8226BEARING CUP		TCU36165BEDKNIFE - HARDENED LESS AGGRESSIVE LOW-CUT
2	JD8188BEARING CONE	7	21M7194SCREW
3	ET14566SEAL	8	TCA19624REEL SHIELD
4	TCA19350REEL - 7-BLADE	9	TCU24328ADJUSTER
	TCA19351REEL - 11-BLADE	10	TCU24460BRACKET
	TCA23621REEL - 14-BLADE	11	TCU24461BRACKET
5	TCU35968SHOE	12	TCA18706ADJUSTER
6	ET17767BEDKNIFE - FAIRWAY HI-CUT	13	TCA22939MOTOR
	ET17532BEDKNIFE - FAIRWAY LOW-CUT	14	TCU33535SYNCHRONOUS BELT
	ET11066BEDKNIFE - GREENS 3.0 mm W/HARDENED INSERT			
	ET17534BEDKNIFE - TOURNAMENT			
	MT7351BEDKNIFE - LOW-CUT			
	ET17533BEDKNIFE - STANDARD			