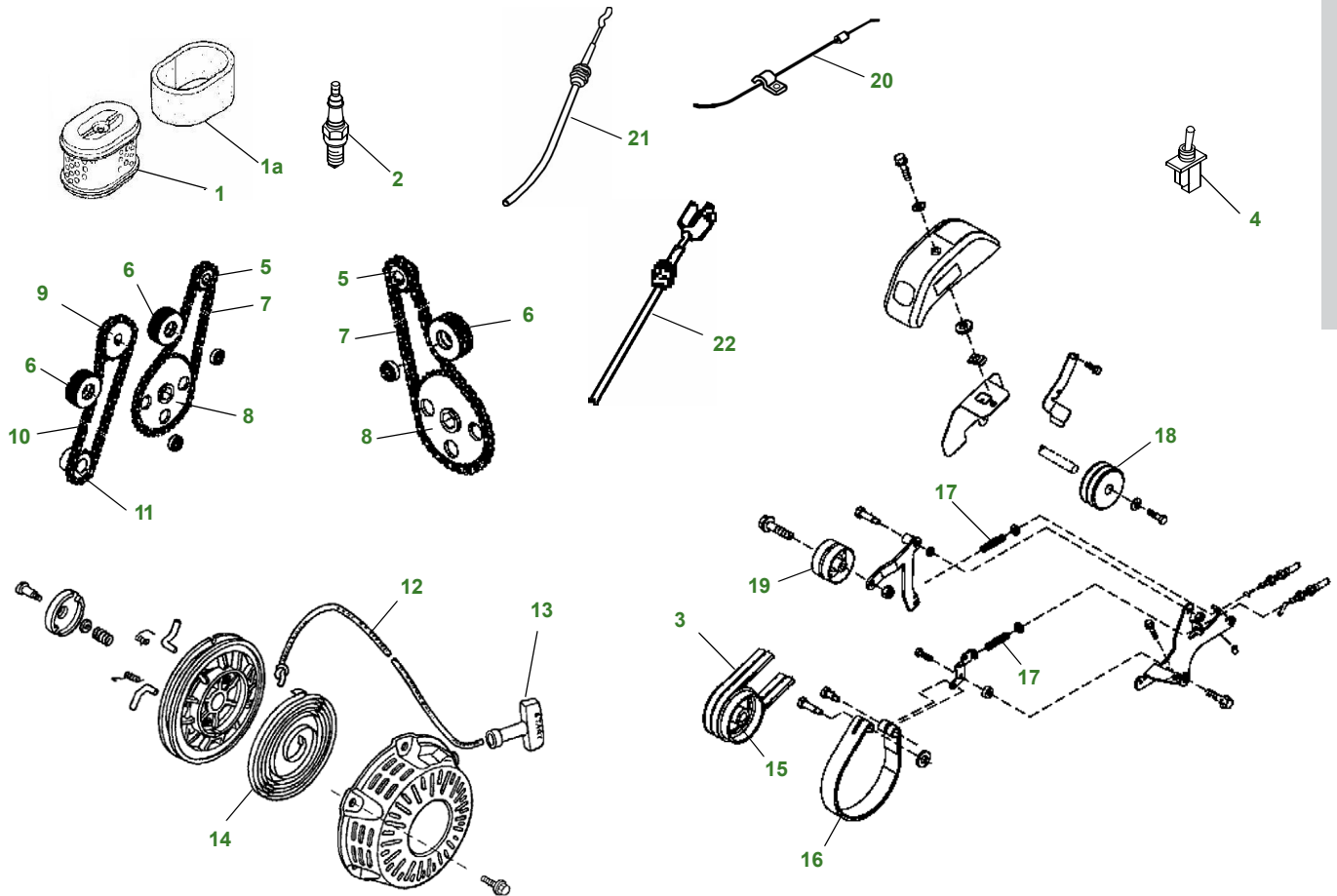


# 180SL / 220SL / 260SL PrecisionCut™ Walk Greens Mowers



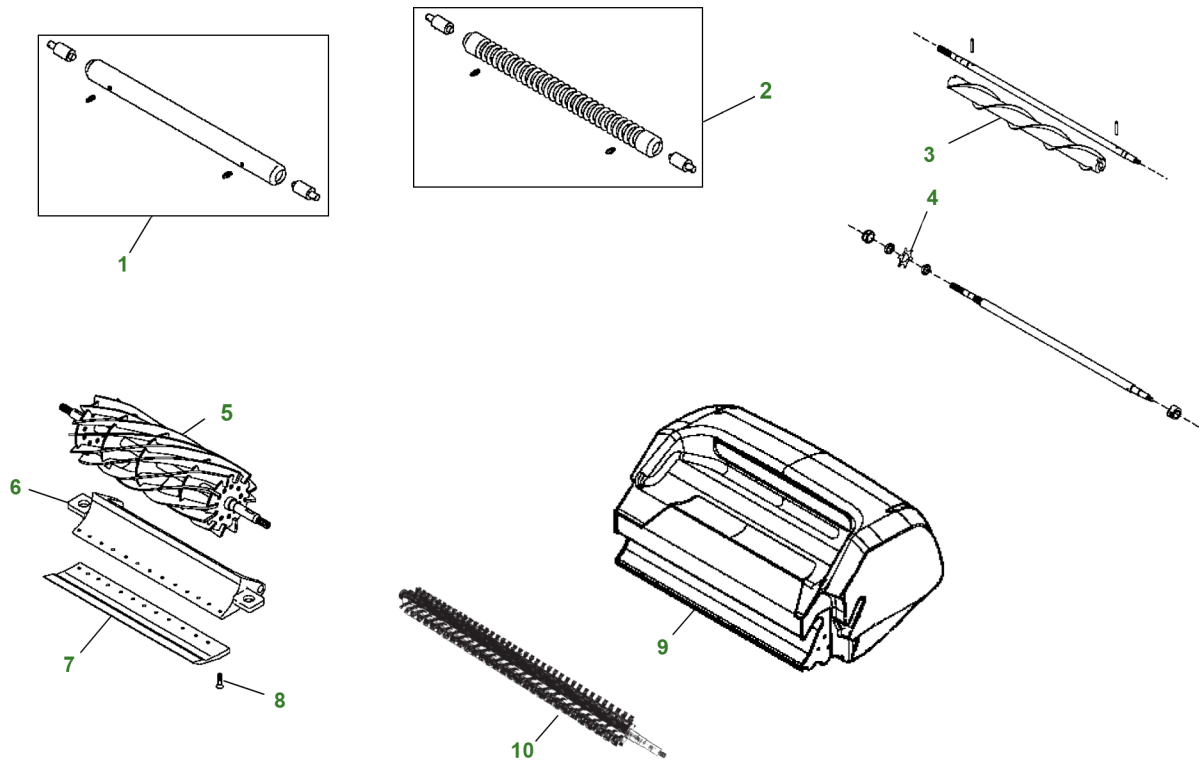
Key	Part No.	Description	Key	Part No.	Description
1	AM123909	AIR FILTER - SECONDARY	12	M128286	ROPE
1a	MIU11464	AIR FILTER - PRIMARY	13	M128285	HANDLE
2	M128206	SPARK PLUG	14	M128283	SPRING
3	AMT2800	BELT SET - DRIVE	15	MT7333	PULLEY
4	AT106154	TOGGLE SWITCH	16	AMT820	BRAKE BAND
5	TCU22960	DRIVER CHAIN SPROCKET - 11T	17	MT1200	COMPRESSION SPRING
6	AMT2863	IDLER (INCLUDES BEARING)	18	MT7332	PULLEY
7	TCA16595	ROLLER CHAIN - LEFT AND RIGHT	19	AMT758	BELT IDLER
8	AMT2905	SPROCKET - REAR ROLLER - 37T	20	AMT1680	THROTTLE CABLE
9	TCU22961	SPROCKET - DRIVER CHAIN - 20T	21	AMT2742	BRAKE CABLE
10	TCA16596	ROLLER CHAIN - LEFT	22	AMT2741	CLUTCH CABLE
11	TCU22962	SPROCKET - REEL - 16T			

### Parts Needed in First 250 hours of Operation

Qty	Part No.	Item	Capacity	Interval In Hours
4	TY22029	TURF-GARD™ 10W-30 Engine Oil - 1 qt	.6 qt	20/50/100/150/200/250
1	TY6354	Hy-Gard™ Trans Oil - 1 gal	.3 pt	50
1	TY6341	Multi Purpose SD Polyurea Grease (14 oz) (Machine components, lift arms and rollers)		As Needed
3	TY25083	John Deere Special Purpose Golf & Turf Cutting Unit Grease (14 oz) (Cutting Unit and Cutting Unit Attachments)		As Needed

\*Refer to Operators Manual for service intervals if using Bio Hy-Gard.

# 180SL / 220SL / 260SL PrecisionCut™ Walk Greens Mowers (Continued)



Key	Part No.	Description	Key	Part No.	Description
<b>ROLLER</b>			<b>BEDKNIFE</b>		
1	AMT2981	ROLLER - SMOOTH SOLID 180SL	7	MT4846	BEDKNIFE - 2.5 mm TOURNAMENT - 180SL
	TCA19656	ROLLER - SMOOTH HOLLOW 180SL		MT7350	BEDKNIFE - LOW-CUT - 180SL
	BM18711	ROLLER - SMOOTH SOLID 220SL		TCU25299	BEDKNIFE - FAIRWAY - 180SL
	BM24204	ROLLER - SMOOTH HOLLOW 220SL		TCU31422	BEDKNIFE - FAIRWAY HIGH-CUT - 180SL
	AMT2982	ROLLER - SMOOTH SOLID 260SL		TCU36878	BEDKNIFE - HARDENED LESS AGGRESSIVE LOW-CUT - 180SL
2	AMT2979	ROLLER - GROOVED 180SL		ET17533	BEDKNIFE - STANDARD - 220SL
	BM18712	ROLLER - GROOVED 220SL		ET11066	BEDKNIFE - 3.0 mm W/ HARDENED INSERT - 220 SL
	AMT2980	ROLLER - GROOVED 260SL		ET17534	BEDKNIFE - TOURNAMENT - 220SL
3	AMT2811	BRUSH - 180SL		MT7351	BEDKNIFE - LOW-CUT - 220SL
	AMT1343	BRUSH - 220SL		ET17532	BEDKNIFE - FAIRWAY LOW-CUT - 220SL
	AMT2813	BRUSH - 260SL		ET17767	BEDKNIFE - FAIRWAY HIGH-CUT - 220SL
4	ET14707	KNIFE - VERTICAL CUTTING UNIT 180SL (60)		TCU36165	BEDKNIFE - HARDENED LESS AGGRESSIVE LOW-CUT - 220SL
	ET14707	KNIFE - VERTICAL CUTTING UNIT 220SL (75)		TCU31428	BEDKNIFE - TOURNAMENT - 260SL
	ET14707	KNIFE - VERTICAL CUTTING UNIT 260SL (88)		MT6947	BEDKNIFE - STANDARD - 260SL
<b>REEL</b>				MT6946	BEDKNIFE - FAIRWAY - 260SL
5	AMT2904	REEL - 11-BLADE - 180SL	8	21M7194	SCREW - BEDKNIFE - 180SL (11)
	AMT2886	REEL - 11-BLADE - 220SL		21M7194	SCREW - BEDKNIFE - 220SL (13)
	AMT2898	REEL - 11-BLADE - 260SL		21M7194	SCREW - BEDKNIFE - 260SL (15)
	AMT2903	REEL - 7-BLADE - 260SL	9	TCU28206	GRASS CATCHER - 180SL
	TCA23624	REEL - 14-BLADE - 180SL		TCU28207	GRASS CATCHER - 220SL
	TCA23623	REEL - 14-BLADE - 220SL		TCU28208	GRASS CATCHER - 260SL
6	MT6997	SHOE - 180SL	10	BM24731	DT ROTARY TURF BRUSH - 180SL
	MT7314	SHOE - 220SL		BM24729	DT ROTARY TURF BRUSH - 220SL
	MT6979	SHOE - 260SL			