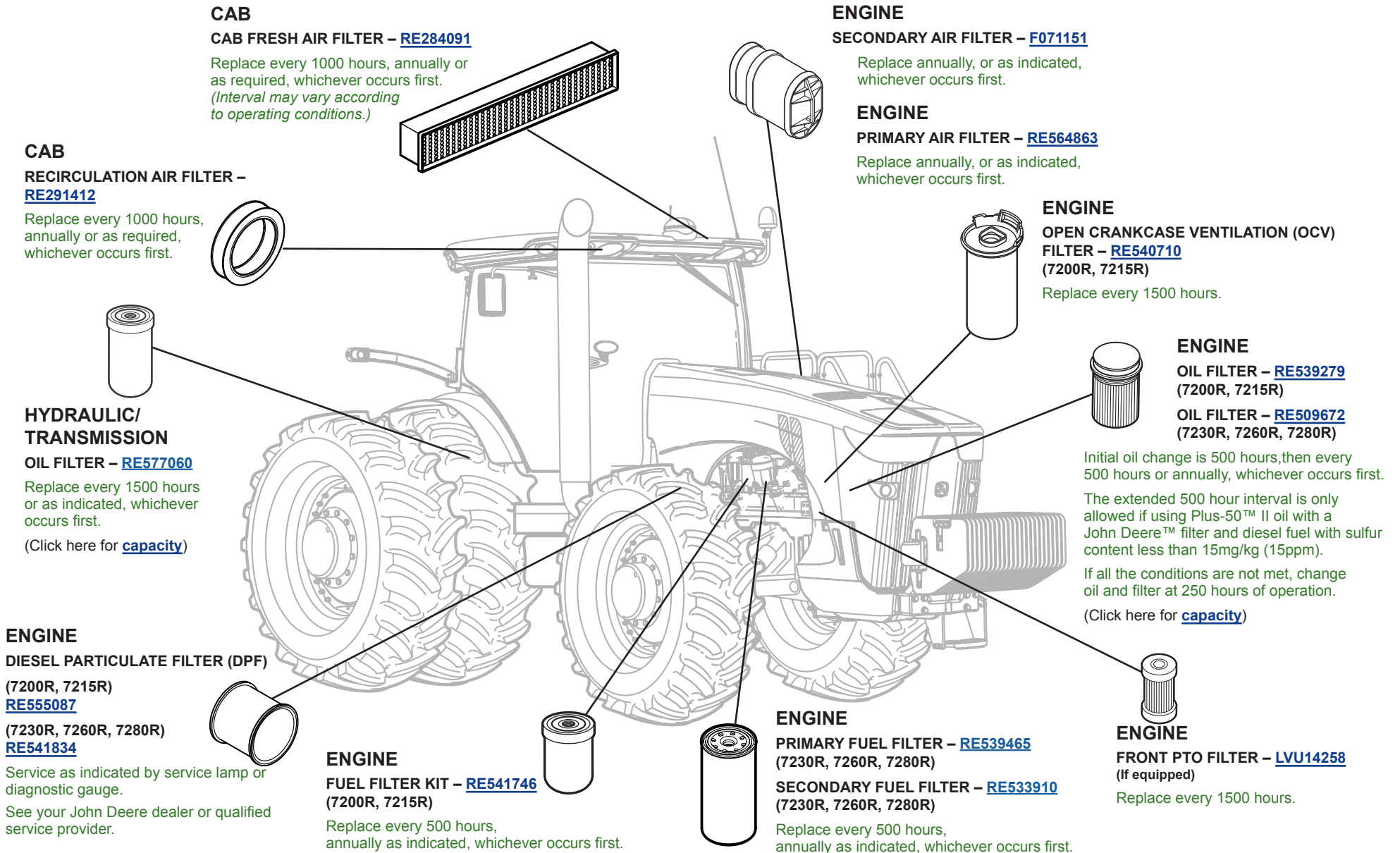


FILTER OVERVIEW WITH SERVICE INTERVALS AND CAPACITIES

7R iT4 Series Tractors – 7200R, 7215R, 7230R, 7260R and 7280R



CAPACITIES

7R iT4 Series Tractors – 7200R, 7215R, 7230R, 7260R and 7280R

CAPACITIES (Approximate):

Fuel Tank:

7200R, 7215R, 7230R w/ PQT G47/48.....	504 L (133 gal)
All w/ IVT™/AutoPowr™ G47/48.....	524 L (138 gal)
7260R, 7280R w/ IVT™/AutoPowr™ G49.....	544 L (144 gal)

Cooling System:

Cool-Gard™ II

7200R, 7215R.....	35 L (9.2 gal)
7230R, 7260R, 7280R.....	39.5 L (10.4 gal)

Transmission / Hydraulics:

PowrQuad™ Plus, 425 Rear Axle:

Hy-Gard™

7200R, 7215R, 7230R.....	192.7 L (50.9 gal)
--------------------------	--------------------

IVT™/AutoPowr™, 425 Rear Axle:

Hy-Gard™

7200R, 7215R, 7230R.....	189.3 L (50 gal)
--------------------------	------------------

IVT™/AutoPowr™, 472 Rear Axle:

Hy-Gard™

7260R, 7280R.....	187.7 L (49.6 gal)
-------------------	--------------------

Crankcase, including filter:

Plus-50™ II

7200R, 7215R.....	25 L (6.6 gal)
7230R, 7260R, 7280R.....	27 L (7.1 gal)

1100 MFWD Axle Housing:

Hy-Gard™

7200R, 7215R.....	14.4 L (3.8 gal)
-------------------	------------------

1300 MFWD Axle Housing and TLS™ w/ Limited Slip:

Hy-Gard™

7230R, 7260R, 7280R.....	13.7 L (3.6 gal)
--------------------------	------------------

TLS™ Plus w/ Differential Lock:

Hy-Gard™

All models.....	10.8 L (2.9 gal)
-----------------	------------------

MFWD Hubs (Each) w/o Brakes:

GL-5

All models.....	3.8 L (4.0 qt)
-----------------	----------------

MFWD Hubs (Each) w/ Brakes:

Hy-Gard™

All models.....	3.9 L (4.1 qt)
-----------------	----------------

Front PTO:

Hy-Gard™

All models.....	4.0 L (4.3 qt)
-----------------	----------------

[Return to Filter Overview](#)

