

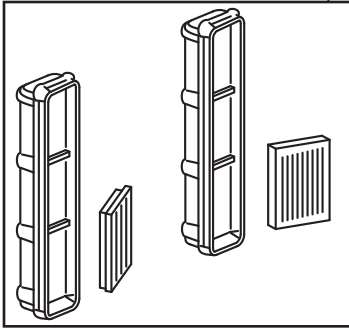
FILTER OVERVIEW WITH SERVICE INTERVALS AND CAPACITIES

7030 Series Premium Tractors (7130, 7230, 7330, 7430, 7530)

CAB

ACTIVATED CARBON AIR FILTER – [L209778](#) (2)
– [AL158986](#) (1)

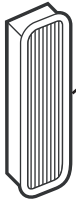
Replace every 500 hours or annually, whichever occurs first, and as required. Never clean wet or dry.



CAB

FRESH AIR FILTER – [AL177184](#) (2)

Clean every 250 hours or as required. Replace every 1500 hours or annually, whichever occurs first.

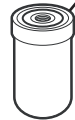


HYDRAULICS

OIL FILTER – [AL169573](#)

Replace first 100 hours and every 750 hours thereafter.

(Click here for [capacity](#))



TRANSMISSION

OIL FILTER – [AL156625](#)

– [AL206482](#) - IVT™

Replace first 100 hours and every 750 hours thereafter.

(Click here for [capacity](#))

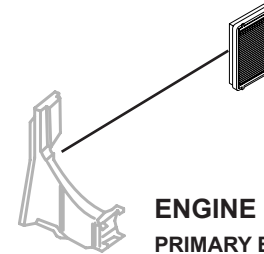


CAB

RECIRCULATION CAB FILTER

– [L155288](#) (2) - w/ air conditioning
– [L152026](#) (2) - w/o air conditioning

Clean every 250 hours or as required. Replace every 1500 hours or annually, whichever occurs first.



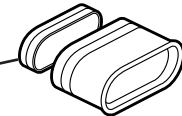
ENGINE

PRIMARY ENGINE AIR (7130) – [AL172780](#)

PRIMARY ENGINE AIR (7230 – 7530) – [AL172780](#) (Lgth. 183 mm)
– [AL172781](#) (Lgth. 284 mm)

SECONDARY ENGINE AIR (7130 – 7530) – [AL150288](#)

Clean primary air filter every 250 hours or as required. Replace air filters every 1500 hours or 2 years, whichever occurs first.



ENGINE

OIL FILTER – [RE504836](#)

Replace first 100 hours then every 500 hours or 1 year, whichever occurs first.

(Click here for [capacity](#))



ENGINE

PRIMARY FUEL FILTER (7130) – [RE541922](#) - ESN 6068HRW72
– ESN 6068HRW73

– [RE546336](#) - ESN 4045HRW50
– ESN 4045HRW51

PRIMARY FUEL FILTER (7230–7530) – [RE541922](#)

Replace every 500 hours.

SECONDARY FUEL FILTER (7130) – [RE541922](#) - ESN 6068HRW72
– ESN 6068HRW73

– [RE526557](#) - ESN 4045HRW50
– ESN 4045HRW51

SECONDARY FUEL FILTER (7230–7530) – [RE522878](#)

Replace every 500 hours.



JOHN DEERE
Genuine Parts and Service

CAPACITIES

7030 Series Premium Tractors (7130, 7230, 7330, 7430, 7530)

CAPACITIES (Approximate):

Fuel Tank:

7130-7230	207 L (54.7 gal)
7330.....	250 L (66 gal)
7330.....	325 L (85.9 gal)
7430-7530	350 L (92.5 gal)

Cooling System:

Cool-Gard™ II

7130.....	29 L (7.7 gal)
7230-7330	33.6 L (8.9 gal)
7430-7530	35.6 L (9.4 gal)

Crankcase:

Plus-50™

7130.....	16 L (4.2 gal)
7230-7330-7430-7530	19.5 L (5.2 gal)

Front PTO:

Hy-Gard™

.....	3.5 L (3.7 qt)
-------	----------------

Transmission and Hydraulic System:

Hy-Gard™

7130-7230 PowrQuad™ Plus	52 L (13.7 gal)
7330-7430-7530 PowrQuad™ Plus	56 L (14.8 gal)
7130-7230 AutoQuad™ Plus	52 L (13.7 gal)
7330-7430-7530 AutoQuad™ Plus	56 L (14.8 gal)
7130-7230 IVT™	60 L (15.9 gal)
7330-7430-7530 IVT™	66 L (17.4 gal)
Extra with Creeper Transmission.....	1 L (1.1 qt)
Extra with Front-Wheel Drive.....	3 L (3.2 qt)
Extra with TLS™ Axle	3 L (3.2 qt)

Front-Wheel Drive:

Hy-Gard™

Axle Housing	8.2 L (8.7 qt)
Final Drives.....	1.7 L (1.8 qt)

[Return to Filter Overview](#)

