

FILTER OVERVIEW WITH SERVICE INTERVALS AND CAPACITIES

6R Final Tier 4 (FT4) Series Utility Tractors – 6110R, 6120R, 6130R

ENGINE

OIL FILTER

[RE504836](#)

Replace every 500 hours or annually.

(Click here for [capacity](#))



ENGINE

PRIMARY FUEL FILTER

[RE560682](#)

Replace every 500 hours.



ENGINE

SECONDARY FUEL FILTER

[RE551508](#)

Replace every 500 hours.

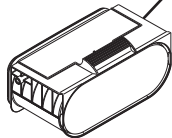


ENGINE

PRIMARY AIR FILTER

[AL215055](#)

Replace every 1500 hours.

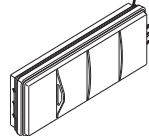


ENGINE

SECONDARY AIR FILTER

[AL215054](#)

Replace every 4500 hours or as required.



CAB

FRESH AIR FILTER

[AL212841](#)

(Activated Carbon Kit)

[AL208648](#)

Replace every 1500 hours or two years. If equipped with activated carbon filters, replace every 500 hours or annually.



CAB

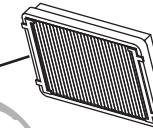
RECIRCULATION AIR FILTER (Qty 2)

[L214634](#)

(Activated Carbon Kit)

[AL208648](#)

Replace every 1500 hours or two years. If equipped with activated carbon filters, replace every 500 hours or annually.



HYDRAULIC

OIL FILTER

[AL169573](#)

Replace every 500 hours.

(Click here for [capacity](#))

TRANSMISSION

OIL FILTER

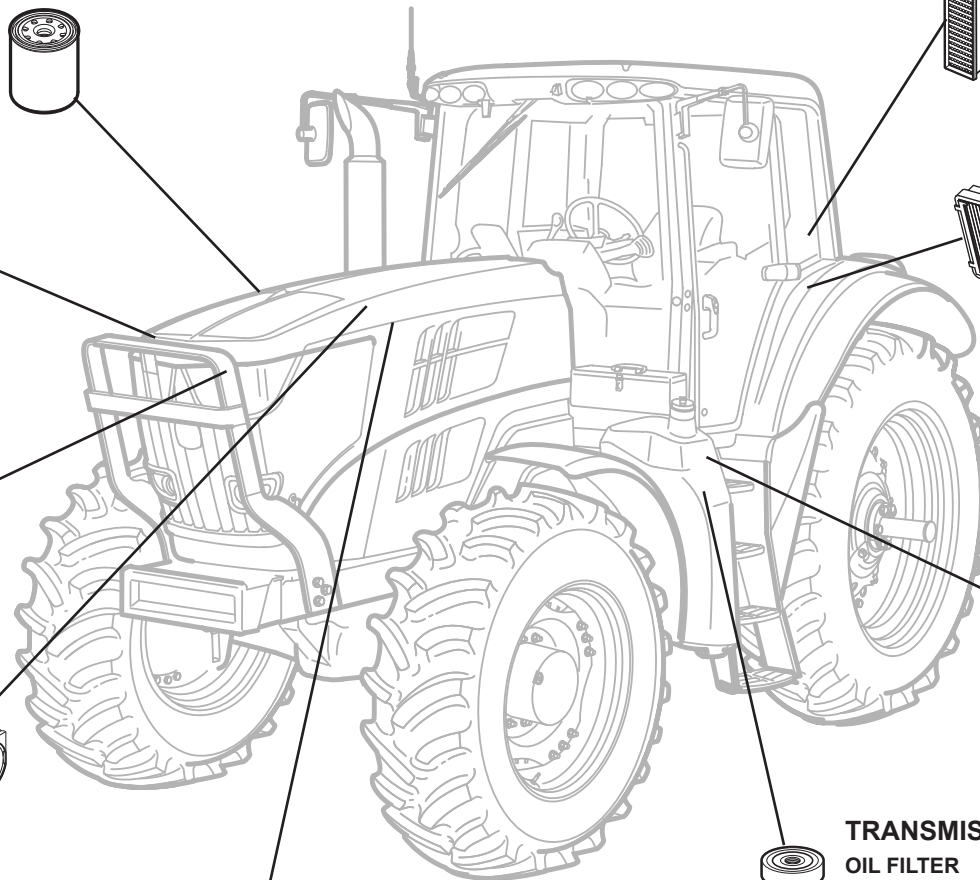
PowrQuad™ PLUS - [AL156625](#)

AutoQuad™ PLUS - [AL156625](#)

AutoPowr/IVT - [AL206482](#)

Replace every 500 hours.

(Click here for [capacity](#))



JOHN DEERE
Genuine Parts and Service

CAPACITIES

6R Final Tier 4 (FT4) Series Utility Tractors – 6110R, 6120R, 6130R

CAPACITIES (Approximate):

Fuel Tank:

..... 195 L (51.5 gal)

Cooling System:

Cool-Gard™ II

..... 28.2 L (7.5 gal)

Crankcase:

Plus-50™ II

..... 1.6 L (4.2 gal)

Transmission/Hydraulics:

Hy-Gard™

PowrQuad™ PLUS..... 53 L (14 gal)

AutoQuad™ PLUS 53 L (14 gal)

AutoPowr™/IVT..... 60 L (15.9 gal)

Front-wheel Drive:

Hy-Gard™

Axle housing 8.2 L (8.7 qt)

Axle housing (suspended axle) 6.4 L (6.7 qt)

Final drives (without brake) 0.08 L (0.08 qt)

Final drives (with brake) 1.4 L (1.5 qt)

[Return to Filter Overview](#)

