

FILTER OVERVIEW WITH SERVICE INTERVALS AND CAPACITIES

60 Series Four-Wheel Drive Tractors - 8560, 8760, 8960

ENGINE

OIL FILTER

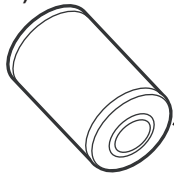
[DZ101880](#) (8560)

[RE42051](#) and [RE21058](#) (8760; 8960 TSN -002527)

[RE44647](#) (8960 TSN 002528-)

Replace engine oil and filters every 250 hours.

(Click here for [capacity](#))



ENGINE

FUEL FILTER

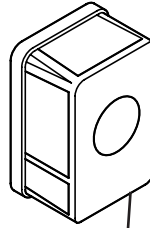
[AR86745](#) (8560, 8760)

[RE42050](#) (8960)

FUEL WATER SEPARATOR (IF EQUIPPED)

[RE11325](#) (8560, 8760)

Replace fuel filters every 500 hours.



CAB

RECIRCULATION AIR FILTERS

[R112458](#) (8560 TSN 003101-; 8760 TSN 005101-; 8960 TSN 004101-)

Replace annually or as required.



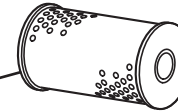
CAB

FRESH AIR FILTER

[RE24619](#) (STANDARD)

[RE67829](#) (HEAVY-DUTY)

Replace annually or as required.



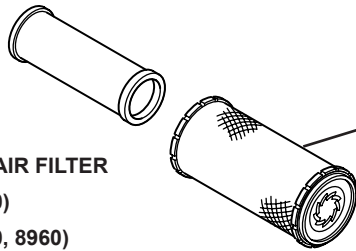
ENGINE

SECONDARY AIR FILTER

[AR70107](#) (8560)

[AR95759](#) (8760, 8960)

Replace annually or as indicated.



ENGINE

PRIMARY AIR FILTER

[AR70106](#) (8560)

[AR95758](#) (8760, 8960)

Replace annually or as indicated.

ENGINE

COOLANT FILTER (IF EQUIPPED)

[RE11992](#) (8760, 8960)

Replace every 600 hours.

(Click here for [capacity](#))



TRANSMISSION/HYDRAULIC

OIL FILTER

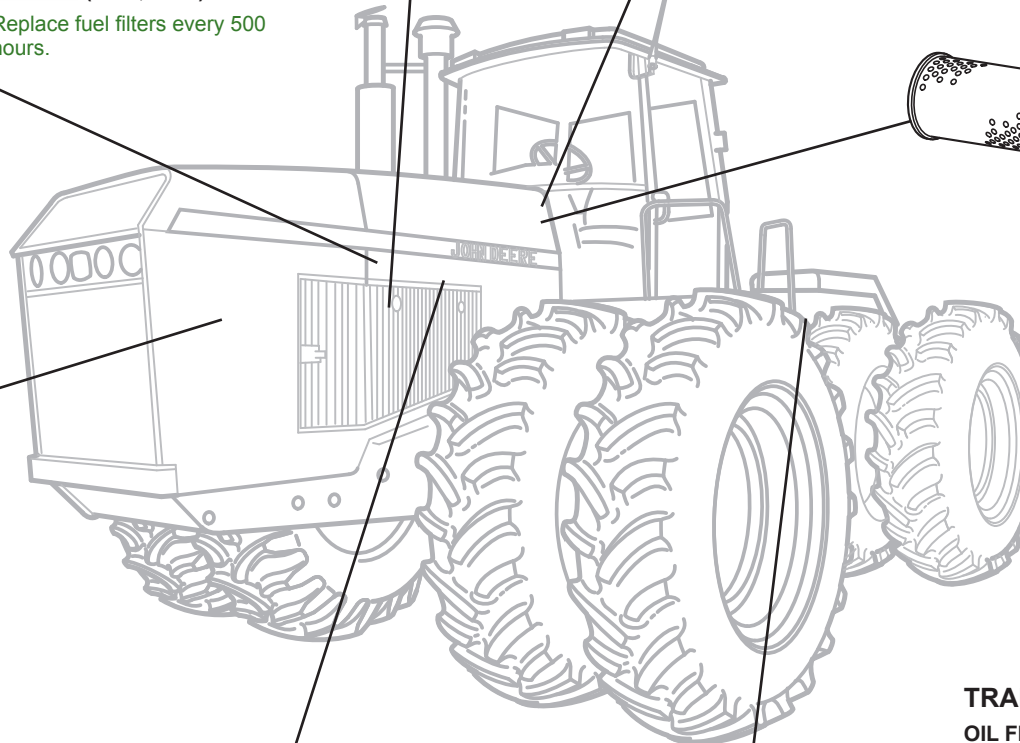
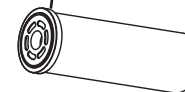
[RE38965](#)

CLEAN-UP OIL FILTER

[AT112393](#)

Replace every 750 hours..

(Click here for [capacity](#))



JOHN DEERE

Genuine Parts and Service

CAPACITIES

60 Series Four-Wheel Drive Tractors - 8560, 8760, 8960

CAPACITIES (Approximate):

Fuel Tank:

..... 835 L (220 gal)

Cooling System:

Cool-Gard™ II

8560, 8760..... 55 L (14.5 gal)

8960..... 68 L (18 gal)

Crankcase including Filter:

Plus-50™ II

8560..... 22 L (5.8 gal)

8760..... 34.5 L (9.1 gal)

8960..... 37 L (9.8 gal)

Hydraulic/Transmission System:

Hy-Gard™

Transmission 37.8 L (10 gal)

Hydraulic System 8560, 8760..... 144 L (38 gal)

Hydraulic System 8960..... 151 L (39.9 gal)

* All capacities are approximate. Please check Operator Manual for exact specifications.

[Return to Filter Overview](#)

