

FILTER OVERVIEW WITH SERVICE INTERVALS AND CAPACITIES

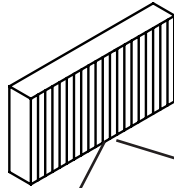
5M Series Tractors Tier 3 (5065M, 5075M, 5085M, 5095M, 5095MH, 5105M, 5105ML)

CAB

FRESH AIR FILTER – [RE198488](#)
(5065M, 5075M, 5085M, 5095M, 5095MH, 5105M)

Clean every 600 hours or annually,
and as required per conditions.

Quantity 2

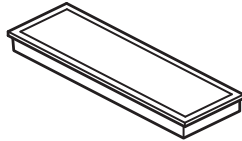


CAB

RECIRCULATION AIR FILTER – [RE195491](#)
(5065M, 5075M, 5085M, 5095M, 5095MH, 5105M)

Clean every 600 hours or annually,
and as required per conditions.

Quantity 2

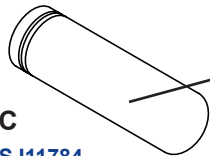


HYDRAULIC

OIL FILTER – [SJ11784](#)

Replace every 600 hours.

(Click here for [capacity](#))



ENGINE

FUEL FILTER – [RE533026](#) (5065M, 5075M)

PRIMARY FUEL FILTER – [RE541922](#) (5085M, 5095M, 5095MH, 5105M, 5105ML)

FINAL FUEL FILTER – [RE526557](#) (5085M, 5095M, 5095MH, 5105M, 5105ML)

Replace every 500 hours.



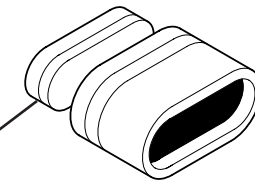
ENGINE

OIL FILTER – [RE519626](#) (5065M, 5075M)

Replace every 300 hours.

If using Plus-50™ II 15-40,
replace every 500 hours.

(Click here for [capacity](#))



ENGINE

PRIMARY AIR FILTER – [RE253518](#)
(5065M, 5075M)

Service every 600 hours or annually
as required per conditions.

PRIMARY AIR FILTER – [AL172780](#)
(5085M, 5095M, 5095MH, 5105M, 5105ML)

Service every 1200 hours or annually
as required per conditions.

SECONDARY AIR FILTER – [RE253519](#)
(5065M, 5075M)

SECONDARY AIR FILTER – [AL150288](#)
(5085M, 5095M, 5095MH, 5105M, 5105ML)



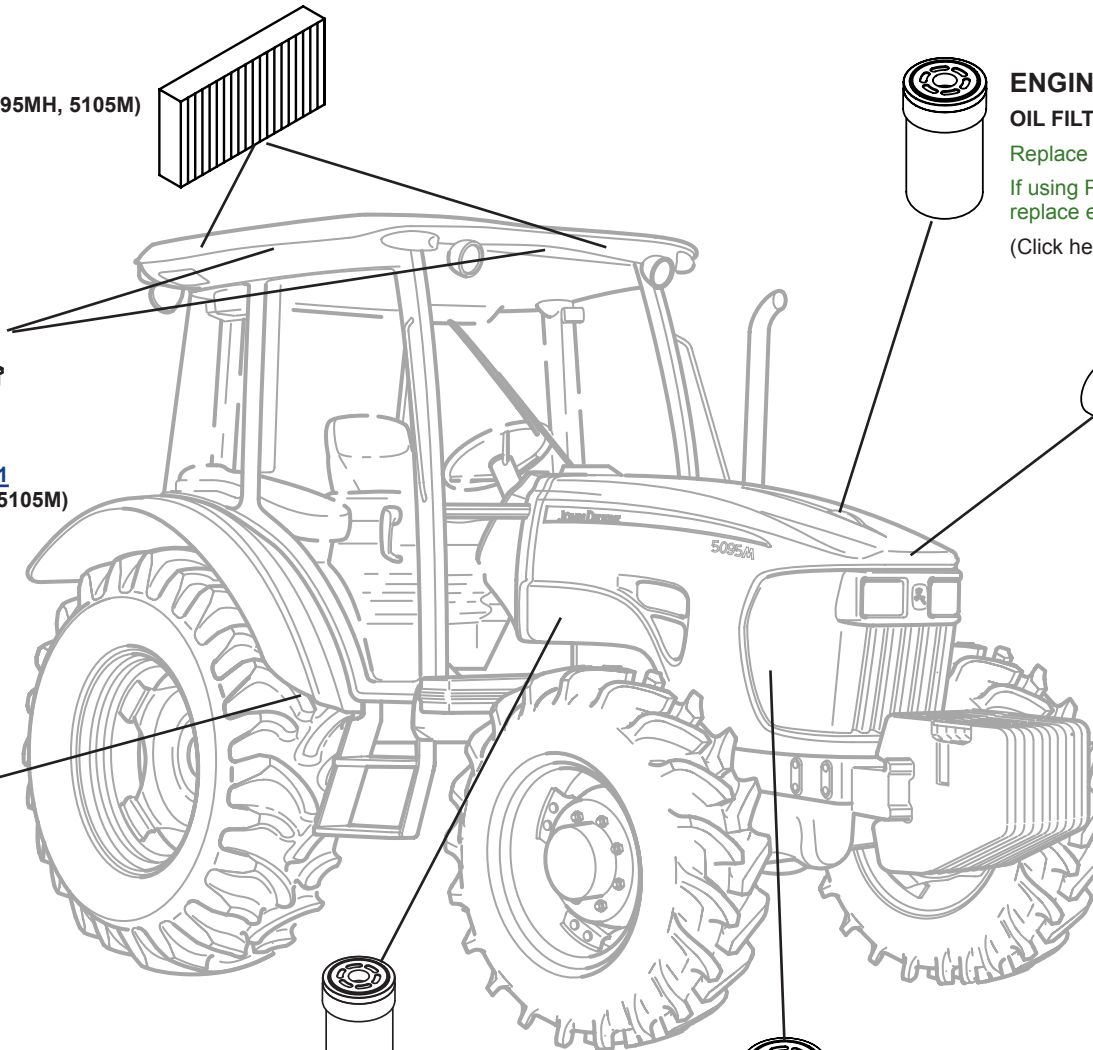
ENGINE

OIL FILTER – [RE504836](#) (5085M, 5095M, 5095MH, 5105M, 5105ML)

Initial replacement after 100 hours and then replace every 300 hours.

If using Plus-50™ II 15-40, replace every 500 hours.

(Click here for [capacity](#))



JOHN DEERE
Genuine Parts and Service

CAPACITIES

5M Series Tractors Tier 3 (5065M, 5075M, 5085M, 5095M, 5095MH, 5105M, 5105ML)

CAPACITIES (Approximate):

Fuel Tank:

5065M-5075M (Open Operator Station).....	84 L (22.3 gal)
5065M-5075M (Cab)	117 L (31 gal)
5085M-5095M-5095MH 5105M-5105ML (Open Operator Station).....	115 L (30.3 gal)
5085M-5095M-5095MH-5105M (Cab)	154 L (40.7 gal)

Cooling System:

Cool-Gard™ II

5065M-5075M (with Cab add 2 L).....	13 L (3.4 gal)
5085M-5095M-5095MH 5105M-5105ML (with Cab add 2 L)	13.5 L (3.6 gal)

Crankcase with Filter:

Plus-50™ II

5065M-5075M	10 L (2.6 gal)
5085M-5095M-5095MH-5105M-5105ML	13 L (3.4 gal)

Transmission and Hydraulic System:

Hy-Gard™

SyncShuttle™ Plus Transmission.....	53 L (14 gal)
Power Reverser™ or SyncReverser™ Transmission	53 L (14 gal)
Power Reverser™ Plus Transmission.....	53 L (14 gal)

Mechanical Front Wheel Drive (MFWD) Axle:

Hy-Gard™

Differential Housing	5 L (5.3 qt)
Wheel Hub (Each)	0.8 L (0.8 qt)

[Return to Filter Overview](#)

