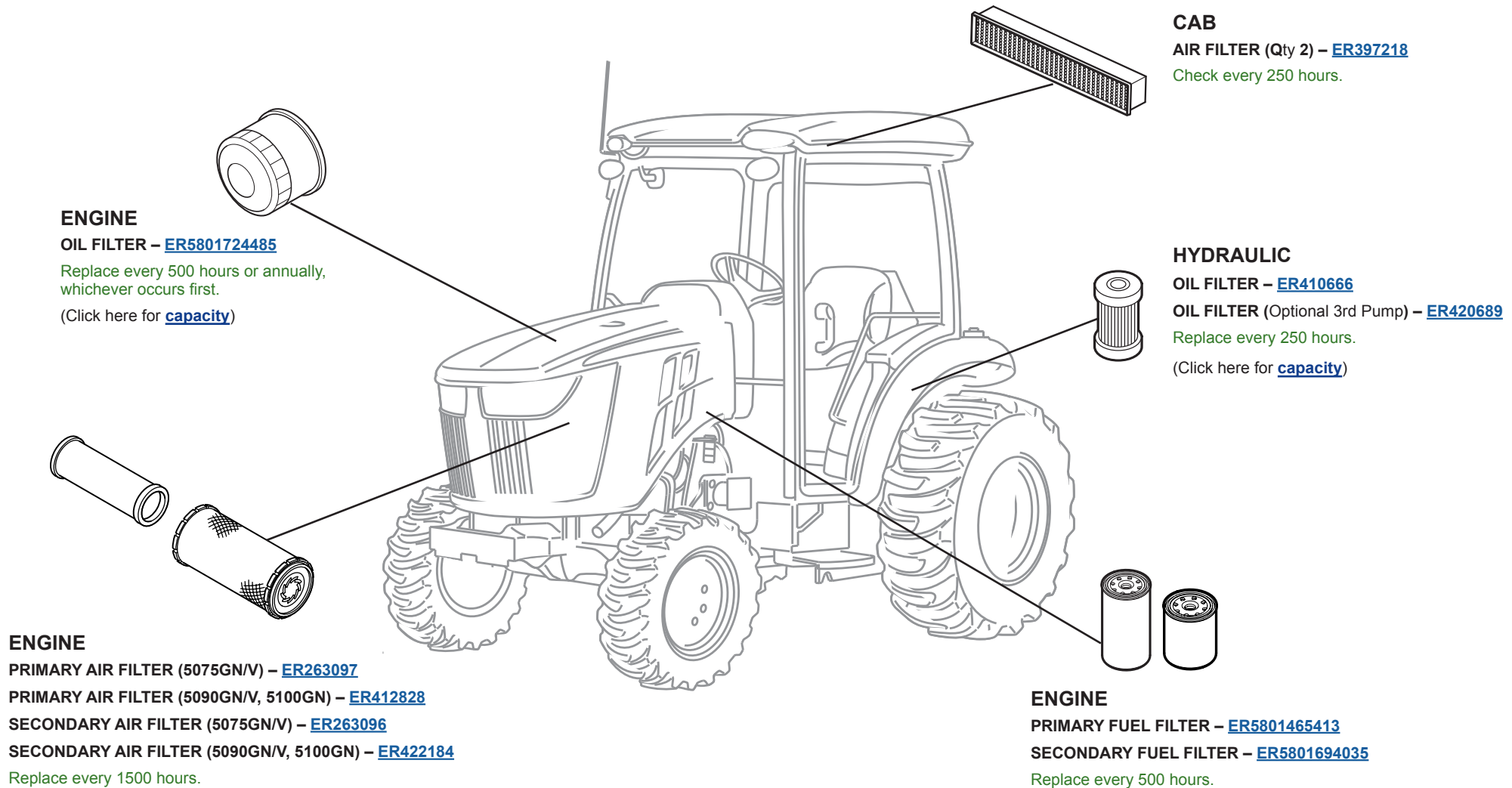


# FILTER OVERVIEW WITH SERVICE INTERVALS AND CAPACITIES

## 5G Series Specialty Tractors - 5075GN/V, 5090GN/V, 5100GN



# CAPACITIES

## 5G Series Specialty Tractors - 5075GN/V, 5090GN/V, 5100GN

### CAPACITIES (Approximate):

#### Fuel Tank:

..... 74 L (19.6 gal)

#### Cooling System:

##### Cool-Gard™ II

Open Operator Station ..... 10 L (2.6 gal)

Cab ..... 12 L (3.2 gal)

#### Crankcase with Filter:

##### Plus-50™ II

..... 9.5 L (10 qt)

#### Transmission and Hydraulic System:

##### Hy-Gard™

DR Axles High Flow ..... 220 L (58.1 gal)

#### Front Wheel Drive Axle:

##### Hy-Gard™

Final Drives ..... 0.6 L (0.6 qt)

Axle Housing ..... 4 L (4.2 qt)

[Return to Filter Overview](#)

