

FILTER OVERVIEW WITH SERVICE INTERVALS AND CAPACITIES

5020 Series Tractors

CAB
RECIRCULATION AIR FILTER
(S.N. - 420000)
ALL MODELS – [RE73220](#)

RECIRCULATION AIR FILTER
(S.N. 420001-)
ALL MODELS – [RE195491](#)

Please order two.

Clean every 250 hours
and replace as required.

CAB
FRESH AIR FILTER
(5220–5520) – [RE198488](#)

Please order two.

Clean every 250 hours
and replace as required.

HYDRAULIC/TRANSMISSION

FILTER ELEMENT
ALL MODELS – [RE45864](#)

Replace after 100 and then
every 1,200 hours.

(Click here for [capacity](#))

ENGINE
IN-LINE FUEL STRAINER
ALL MODELS – [RE220719](#)

Replace as required.

ENGINE
FUEL FILTER ALL MODELS – [RE60021](#)

Replace every 500 hours or
annually as required.

ENGINE
OIL FILTER (5220–5320) – [T19044](#)

Replace after 100 hours and then
every 375 hours or annually if using
John Deere Plus-50™ oil.

OIL FILTER (5420–5520) – [RE59754](#)

Replace after 100 hours and then
every 375 hours or annually if using
John Deere Plus-50 oil.

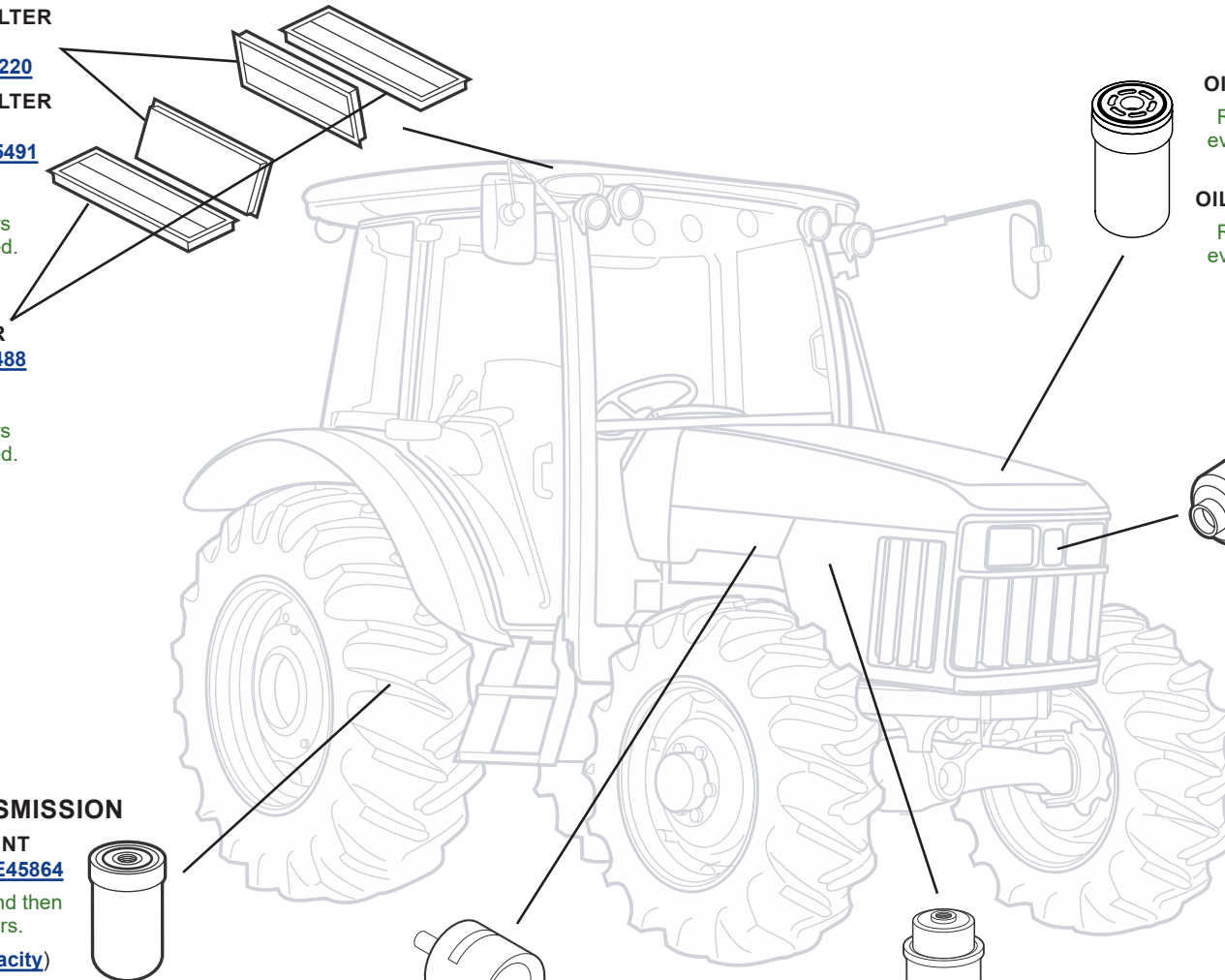
(Click here for [capacity](#))

ENGINE
SECONDARY AIR FILTER
ALL MODELS – [AT171854](#)

Replace annually and as required.

ENGINE
PRIMARY AIR FILTER
ALL MODELS – [AT171853](#)

Clean every 250 hours and replace
annually or and as required.



JOHN DEERE

Genuine Parts and Service

CAPACITIES

5020 Series Tractors

CAPACITIES (Approximate):

Fuel Tank:

5220-5320-5420 Straddle Mount (Early Model)	68 L (18 gal)
5520 Straddle Mount (Early Model)	83 L (22 gal)
5220-5320-5420 Straddle Mount (Late Model)	77 L (20 gal)
5520 Straddle Mount (Late Model)	93 L (25 gal)
IOOS-Small Filler Neck	102 L (27 gal)
IOOS-Large Filler Neck	112 L (29.5 gal)
Cab-Small Filler Neck	102 L (27 gal)
Cab-Large Filler Neck	112 L (29.5 gal)

Cooling System:

Cool-Gard™ II

5220-5320	9.5 L (10 qt)
5420-5520	10.8 L (11.4 qt)

Crankcase including Filter Change:

Plus-50™ II

5220-5320-5420-5520	8.5 L (9 qt)
---------------------------	--------------

Transmission and Hydraulic System:

Hy-Gard™

Dry Clutch (CollarShift and SyncShuttle)	38 L (10 gal)
Hi-Crop	64 L (17 gal)
Wet Clutch (PowrReverser)	43.5 L (11.5 gal)
Hi-Crop	70 L (18.5 gal)

Mechanical Front Wheel Drive (MFWD):

GL-5

Differential Housing Axle Oil	5 L (5.2 qt)
Wheel Hub Axle Oil (Each)	0.7 L (0.74 qt)
Assembly Axle Oil	6.2 L (6.6 qt)

[Return to Filter Overview](#)

