

FILTER OVERVIEW WITH SERVICE INTERVALS AND CAPACITIES

4M Final Tier 4 (FT4) Series Compact Utility Tractors - 4044M, 4052M, 4066M

ENGINE

DIESEL PARTICULATE FILTER (DPF)

(4044M) – [MIU803276](#)

(4052M, 4066M) – [MIU802216](#)

See your John Deere™ dealer or qualified service provider.

FILTER PAK – [LVA21039](#)

Each kit contains oil filter, air filter, fuel filter, and hydraulic filter, offering a complete solution for your maintenance needs to keep your tractor running at peak performance.

ENGINE

OIL FILTER – [M806419](#)

Replace every 200 hours or annually, whichever occurs first.

(Click here for [capacity](#))

ENGINE

PRIMARY AIR FILTER – [RE68048](#)

SECONDARY AIR FILTER – [RE68049](#)

Check every 600 hours and replace as required.

ENGINE

PRIMARY FUEL FILTER – [MIU802421](#)

FINAL FUEL FILTER – [MIU803127](#)

Replace every 400 hours or annually, whichever occurs first.

HYDRAULIC

OIL FILTER – [LVA10419](#)

Replace every 400 hours.

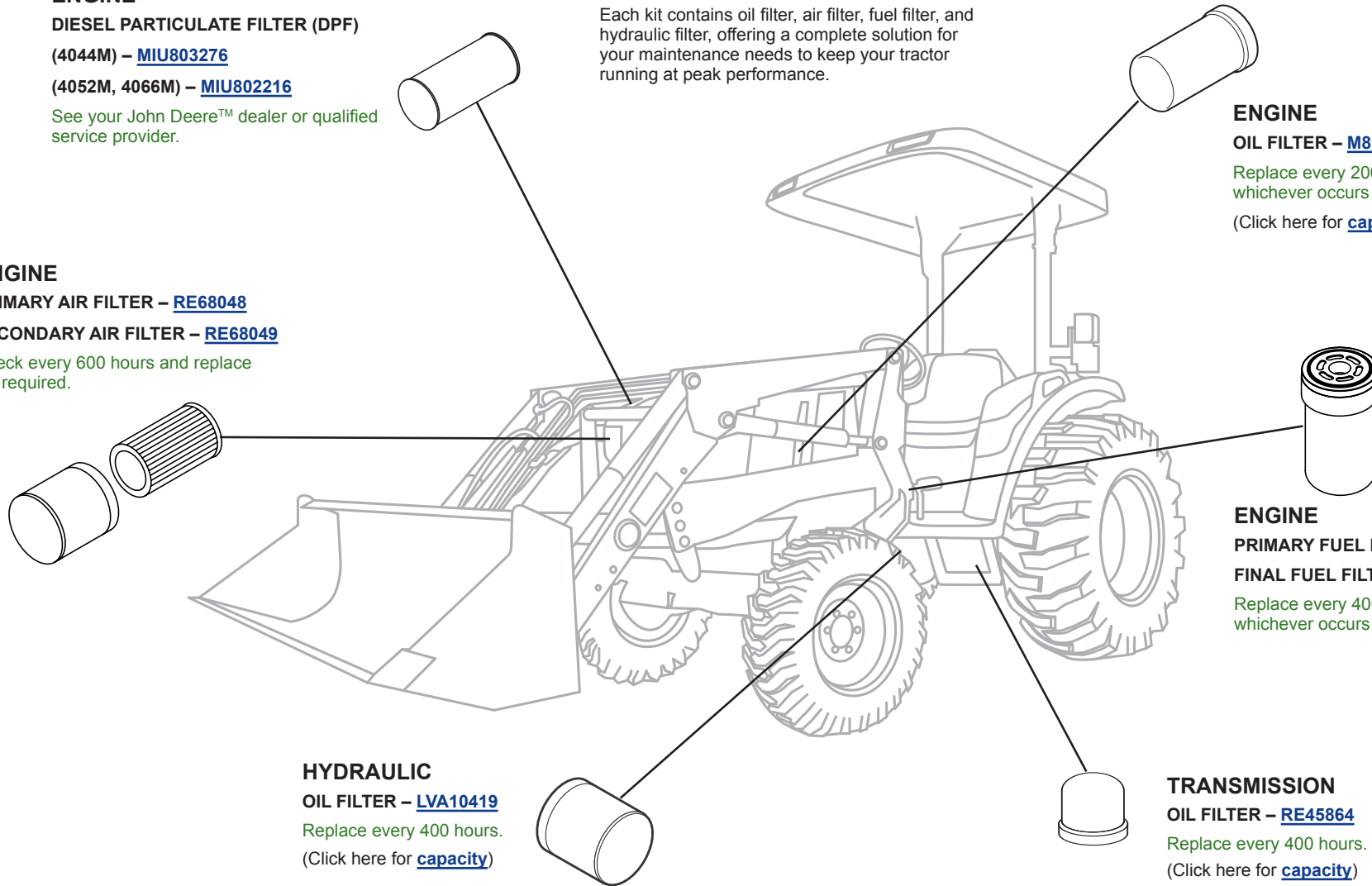
(Click here for [capacity](#))

TRANSMISSION

OIL FILTER – [RE45864](#)

Replace every 400 hours.

(Click here for [capacity](#))



JOHN DEERE
Genuine Parts and Service

CAPACITIES

4M Final Tier 4 (FT4) Series Compact Utility Tractors - 4044M, 4052M, 4066M

CAPACITIES (Approximate):

Fuel Tank:

..... 49.2 L (13 gal)

Cooling System:

Cool-Gard™ II

..... 6 L (6.3 qt)

Crankcase with Filter:

Plus-50™ II

..... 5.4 L (5.7 qt)

Transmission and Hydraulic System:

Hy-Gard™

..... 44 L (12 gal)

Front Axle:

Hy-Gard™

..... 5.5 L (5.8 qt)

[Return to Filter Overview](#)

