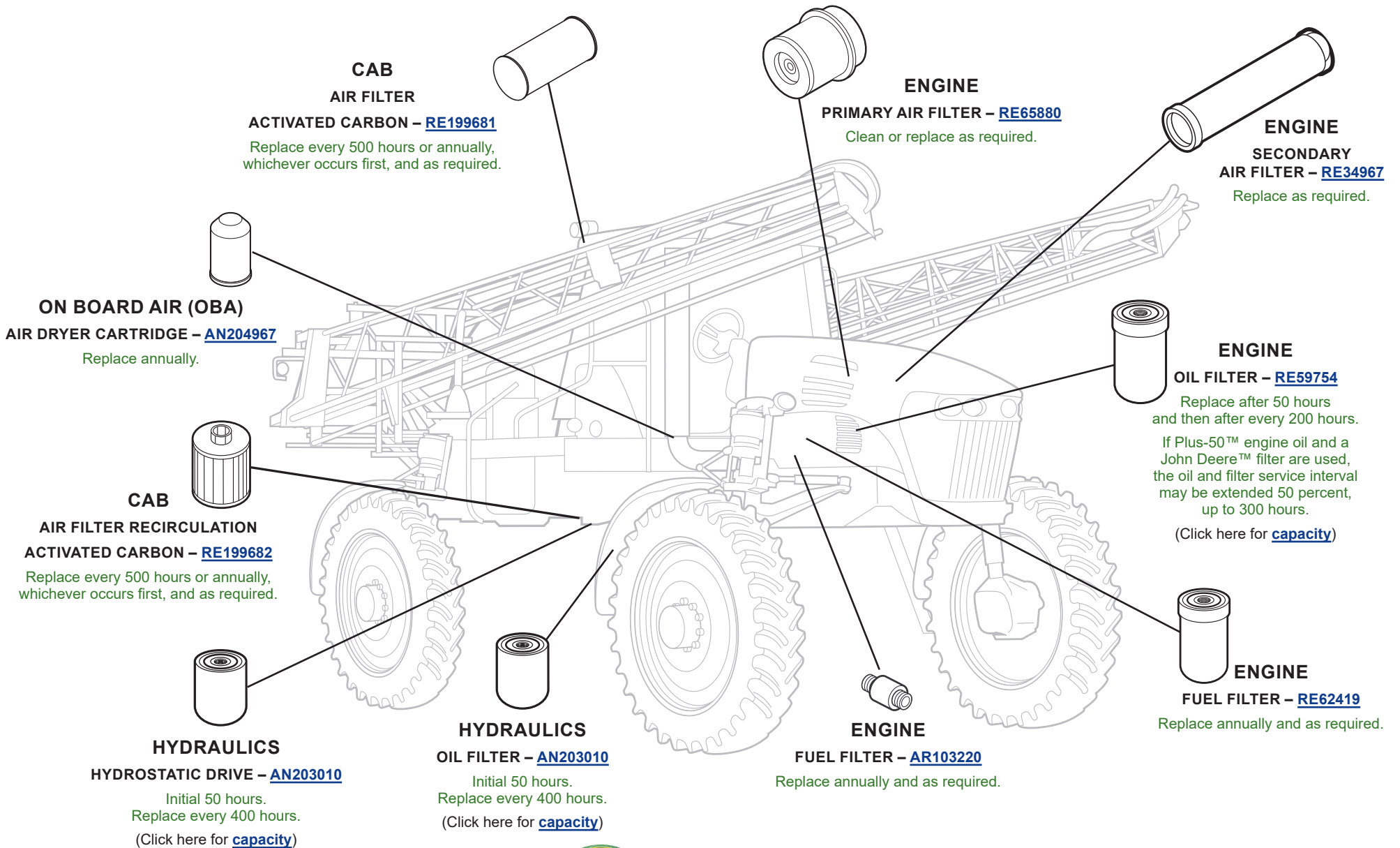


FILTER OVERVIEW WITH SERVICE INTERVALS AND CAPACITIES

4700/4710 Self-Propelled Sprayers



JOHN DEERE

Genuine Parts and Service

CAPACITIES

4700/4710 Self-Propelled Sprayers

CAPACITIES (Approximate):

Fuel Tank:

| | |
|-----------|----------------|
| 4700..... | 321 L (85 gal) |
| 4710..... | 360 L (95 gal) |

Cooling System with Heater:

| | |
|----------------------------|----------------|
| Cool-Gard™ | 24 L (6.3 gal) |
|----------------------------|----------------|

Crankcase including Filter:

| | |
|--------------------------|------------------|
| Plus-50™ | 20.5 L (5.4 gal) |
|--------------------------|------------------|

Hydraulic Reservoir:

| | |
|----------------------------|---------------|
| Turf-Gard™ | 64 L (17 gal) |
|----------------------------|---------------|

Hydraulic System:

| | |
|----------------------------|----------------|
| Turf-Gard™ | 163 L (43 gal) |
|----------------------------|----------------|

Final Drives (Front Hubs) Each:

| | |
|--------------------------|----------------|
| GL-5 4700..... | 917 ml (31 oz) |
| 4710..... | 1.2 L (1.2 qt) |

Final Drives (Rear Hubs) Each:

| | |
|--------------------------|-----------------|
| GL-5 4700..... | 1686 ml (57 oz) |
| 4710..... | 1.2 L (1.2 qt) |

[Return to Filter Overview](#)