

FILTER OVERVIEW WITH SERVICE INTERVALS AND CAPACITIES

4005 and 4105 Compact Utility Tractors

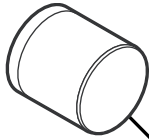
TRANSMISSION / HYDRAULIC

OIL FILTER – [LVA13065](#)
(4105 COMPACT UTILITY TRACTORS)

OIL FILTER – [RE27284](#)
(4005 COMPACT UTILITY TRACTORS)

Replace after initial 50 hours,
then every 200 hours.

(Click here for [capacity](#))



FILTER PAK

– [LVA21202](#)

Each kit contains oil filter, air filter, fuel filter, and hydraulic filter, offering a complete solution for your maintenance needs to keep your tractor running at peak performance.

ENGINE

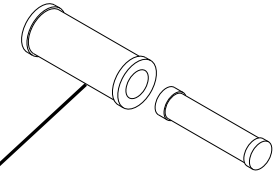
PRIMARY AIR FILTER – [RE68048](#)
(4105 COMPACT UTILITY TRACTORS)

SECONDARY AIR FILTER – [RE68049](#)
(4105 COMPACT UTILITY TRACTORS)

PRIMARY AIR FILTER – [M131802](#)
(4005 COMPACT UTILITY TRACTORS)

SECONDARY AIR FILTER – [M131803](#)
(4005 COMPACT UTILITY TRACTORS)

Replace as required.



ENGINE OIL FILTER

– [M806419](#)

Replace every 200 hours or
annually, whichever occurs first.

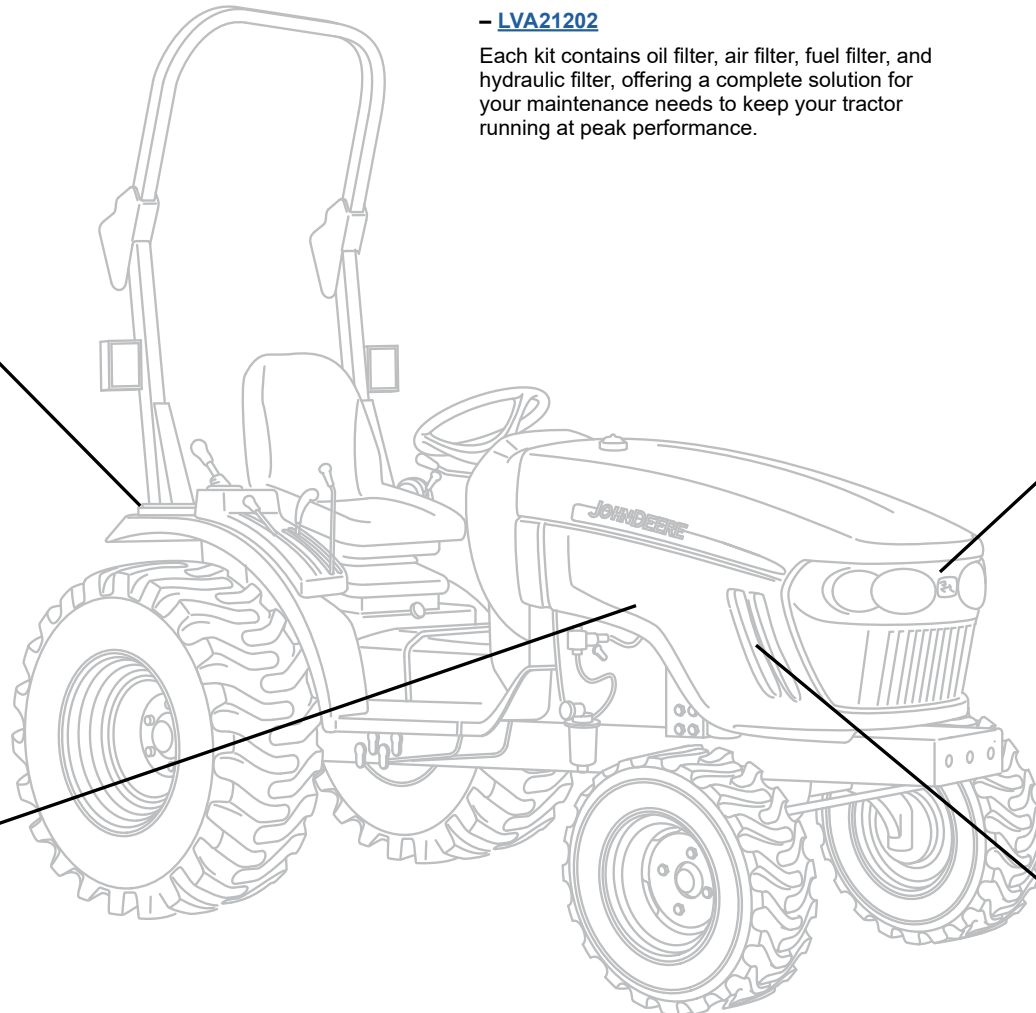
(Click here for [capacity](#))



ENGINE FUEL FILTER

– [MIU800645](#) and [M811032](#)

Replace every 500 hours.



JOHN DEERE

Genuine Parts and Service

CAPACITIES

4005 and 4105 Compact Utility Tractors

CAPACITIES (Approximate):

Fuel Tank:

4005.....	32 L (8.5 gal)
4105.....	43.5 L (11.5 gal)

Cooling System: Cool-Gard™ II

4005.....	5.8 L (6.1 qt)
4105.....	5.3 L (5.6 qt)

Crankcase with Filter: Plus-50™ II

4005.....	5.3 L (5.6 qt)
4105.....	4.3 L (4.5 qt)

Transmission and Hydraulic System:

Low Viscosity Hy-Gard™

4005.....	26 L (6.9 gal)
4105.....	31.4 L (8.3 gal)

Front Axle:

GL-5 Lubricant 80W-90

4005.....	7.5 L (7.9 qt)
-----------	----------------

Low Viscosity Hy-Gard™

4105.....	4.5 L (4.8 qt)
-----------	----------------

[Return to Filter Overview](#)

