

FILTER OVERVIEW WITH SERVICE INTERVALS AND CAPACITIES

3R Final Tier 4 (FT4) Series Compact Utility Tractors - 3033R, 3039R, 3046R

ENGINE

DIESEL PARTICULATE FILTER –
(3033R) [MIU803093](#)

(3039R, 3046R) [MIU803232](#)

See your John Deere™ dealer or qualified service provider.

ENGINE

PRIMARY FUEL FILTER – [MIU802421](#)

FINAL FUEL FILTER – [MIU803127](#)

Replace every 400 hours or annually, whichever occurs first.

ENGINE

OIL FILTER – [M806419](#)

Replace every 200 hours or annually, whichever occurs first.

(Click here for [capacity](#))

CAB

RECIRCULATION AIR FILTER (2) –
[MIU10011](#)

Replace as required.

FILTER PAK – [LVA21038](#)

Each kit contains oil filter, air filter, fuel filter, and hydraulic filter, offering a complete solution for your maintenance needs to keep your tractor running at peak performance.

CAB

FRESH FILTER – [MIU10010](#)

Clean or replace every 50 hours and as required.

HYDRAULIC

TRANSMISSION OIL FILTER – [LVA13065](#)

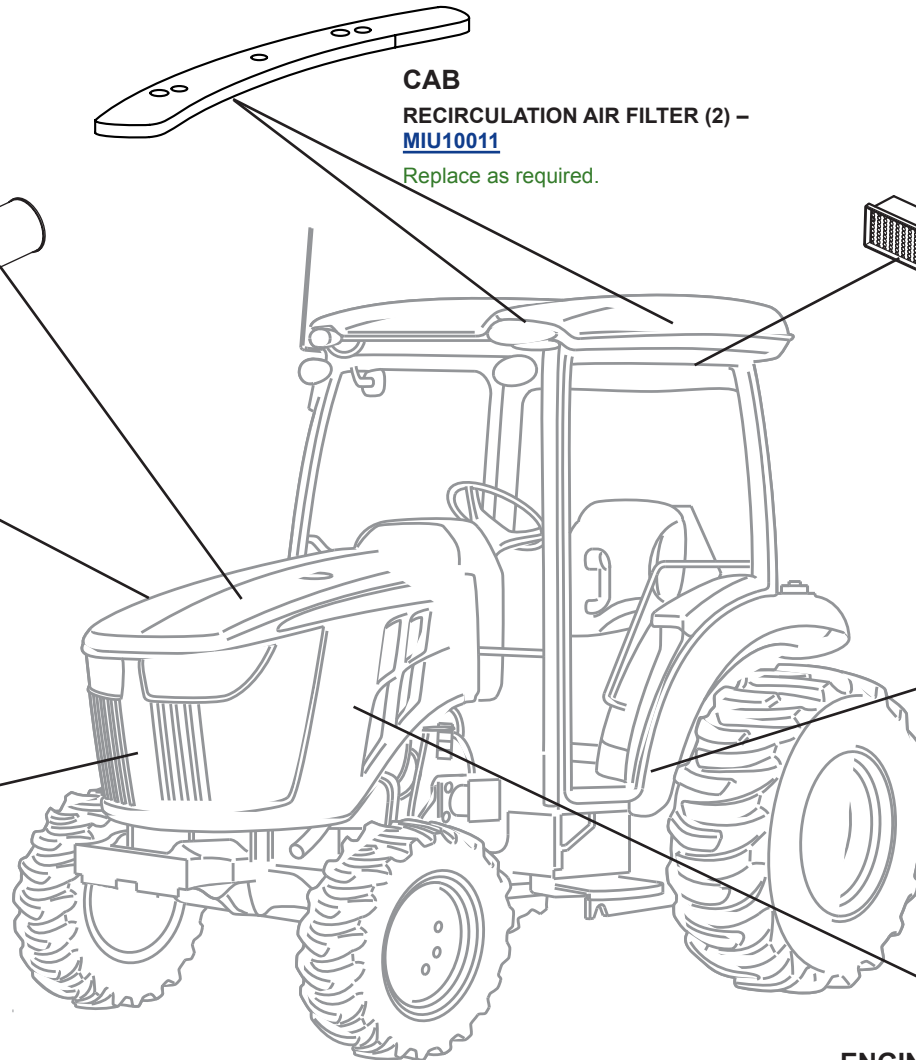
Replace every 400 hours.
(Click here for [capacity](#))

ENGINE

PRIMARY AIR FILTER – [RE68048](#)

SECONDARY AIR FILTER – [RE68049](#)

Replace as needed.



JOHN DEERE
Genuine Parts and Service

CAPACITIES

3R Final Tier 4 (FT4) Series Compact Utility Tractors - 3033R, 3039R, 3046R

CAPACITIES (Approximate):

Fuel Tank:

Open Operator Station 51.1 L (13.5 gal)

Cab 44.5 L (11.8 gal)

Cooling System:

Cool-Gard™ II

Open Operator Station 5.3 L (5.6 qt)

Cab 7 L (7.4 qt)

Crankcase with Filter:

Plus-50™ II

3033R, 3039R 4.3 L (4.5 qt)

3046R 5.7 L (6 qt)

Transmission and Hydraulic System:

Hy-Gard™

..... 25.7 L (6.8 gal)

Front Axle:

Hy-Gard™

..... 4.8 L (5.1 qt)

[Return to Filter Overview](#)

