

# FILTER OVERVIEW WITH SERVICE INTERVALS AND CAPACITIES

## 30, 40 and 50 Series Four-Wheel Drive Tractors - 8430, 8630, 8440, 8640, 8450, 8650, 8850

### ENGINE

#### OIL FILTER

[AR43634](#) (8430; 8630 TSN -040123)

[DZ101880](#) (8630 TSN 040124-;

8440, 8640, 8450, 8650, 8850)

#### BYPASS FILTER

[RE21748](#) (8650)

Replace every 200 hours.

(Click here for [capacity](#))

### ENGINE

#### SECONDARY AIR FILTER

[AR70107](#) (8430, 8630, 8440, 8640, 8450, 8650)

[AR95759](#) (8850)

Replace annually or as indicated.

### ENGINE

#### PRIMARY AIR FILTER

[AR70106](#) (8430, 8630, 8440, 8640, 8450, 8650)

[AR95758](#) (8850)

Replace annually or as indicated.

### ENGINE

#### FUEL FILTER

[AR50041](#) (8430) - Qty. 2

[AR86745](#) (8630, 8440, 8640, 8450, 8650, 8850) - Qty. 2

#### FUEL WATER SEPARATOR

[AR86755](#) (8430)

Replace fuel filters every 600 hours.

### ENGINE

#### COOLANT FILTER

[RE11992](#)

Replace every 600 hours.

(Click here for [capacity](#))

### CAB

#### RECIRCULATION AIR FILTER

[RE12793](#) (STANDARD)

[RE67830](#) (HEAVY-DUTY)

Check every 200 hours.

### CAB

#### FRESH AIR FILTER

[R65450](#)

Check every 200 hours.

### TRANSMISSION/HYDRAULIC OIL FILTER

[AR75603](#) (8430 TSN -005625; 8630 TSN -007636) - Qty. 2

[AR94510](#) (8430 TSN 005626-; 8630 TSN 007637-; 8440, 8640) - Qty. 2

[AR99661](#) (8450, 8650, 8850) - Qty. 2

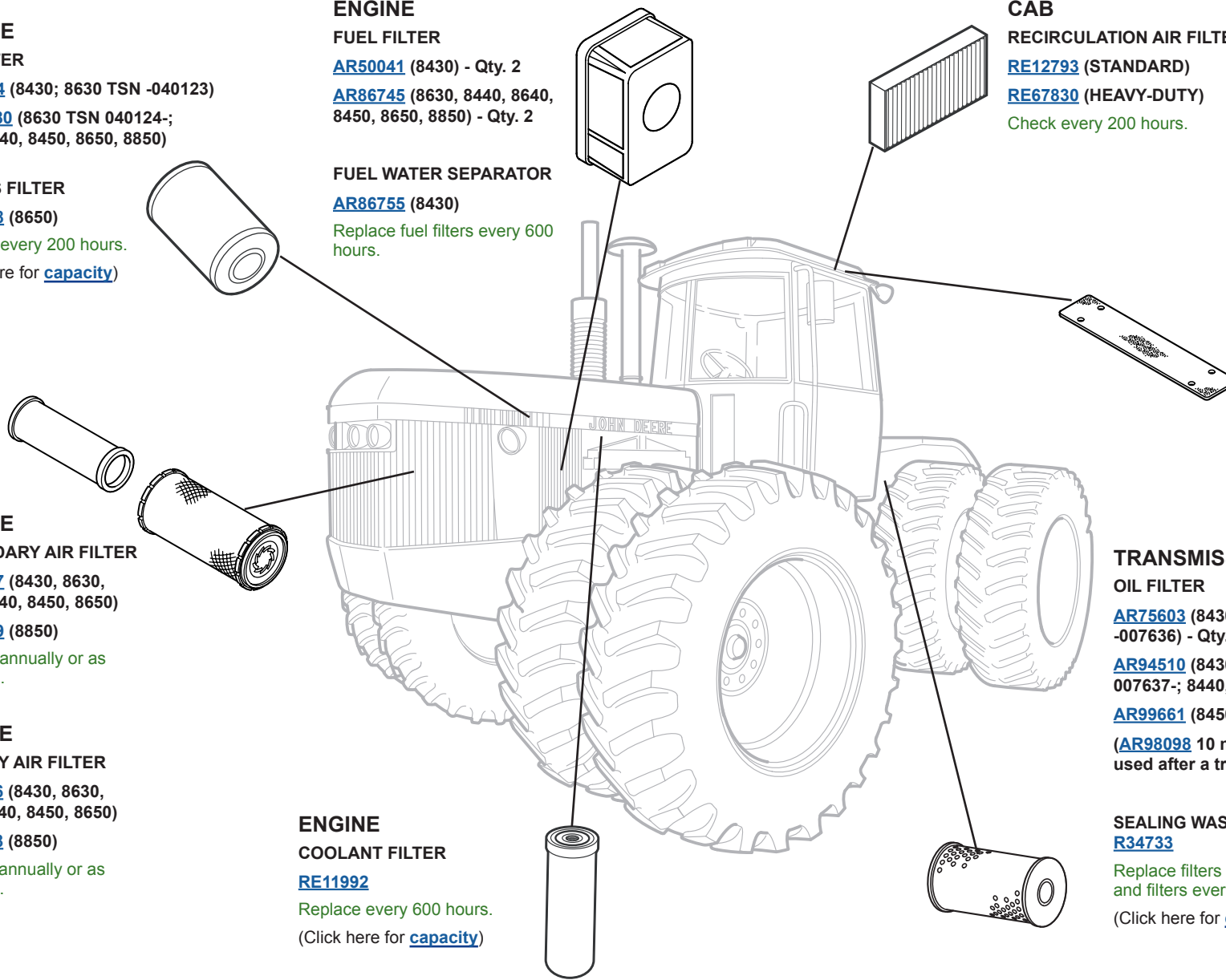
([AR98098](#) 10 micron Clean-up filter to be used after a transmission failure)

### SEALING WASHER

[R34733](#)

Replace filters every 600 hours. Change oil and filters every 1200 hours.

(Click here for [capacity](#))



**JOHN DEERE**

Genuine Parts and Service

# CAPACITIES

## 30, 40 and 50 Series Four-Wheel Drive Tractors - 8430, 8630, 8440, 8640, 8450, 8650, 8850

### CAPACITIES (Approximate):

#### Fuel Tank:

8430, 8630, 8440.....	590 L (156 gal)
8640, 8450, 8650.....	810 L (214 gal)
8850.....	908 L (240 gal)

#### Cooling System:

##### Cool-Gard™ II

8430.....	38 L (10 gal)
8630.....	42 L (11.1 gal)
8440.....	40 L (10.6 gal)
8640.....	48 L (12.7 gal)
8450.....	40 L (10.6 gal)
8650.....	45.4 L (12 gal)
8850.....	74 L (19.6 gal)

#### Crankcase including Filter:

##### Plus-50™ II

8430.....	21 L (5.5 gal)
8630.....	25 L (6.6 gal)
8440.....	19 L (5 gal)
8640 (TSN -040123).....	23 L (6.1 gal)
8640 (TSN 040124-).....	26.5 L (7 gal)
8640 (TSN 066160-) without bypass.....	24.6 L (6.5 gal)
8450.....	18.9 L (5 gal)
8650.....	26.5 L (7 gal)
8850.....	48 L (12.7 gal)

#### Hydraulic/Transmission System:

##### Hy-Gard™

8430, 8630.....	106 L (28 gal)
8440.....	132 L (34.9 gal)
8640.....	136 L (35.9 gal)
8450, 8650.....	142 L (37.5 gal)
8850.....	172 L (45.4 gal)

\* All capacities are approximate. Please check Operator Manual for exact specifications.

[Return to Filter Overview](#)

